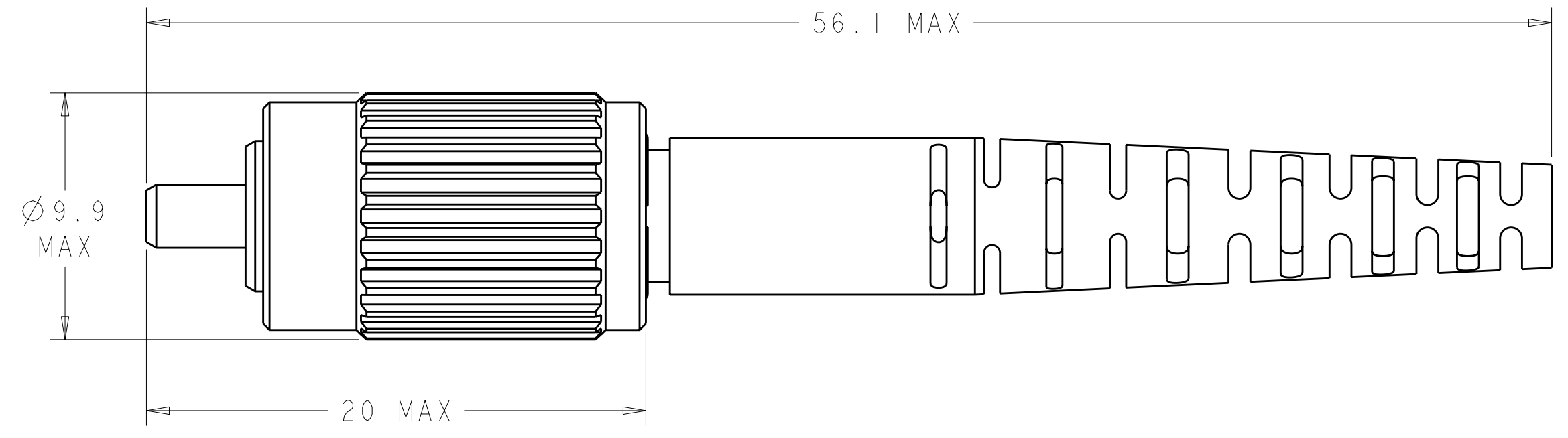


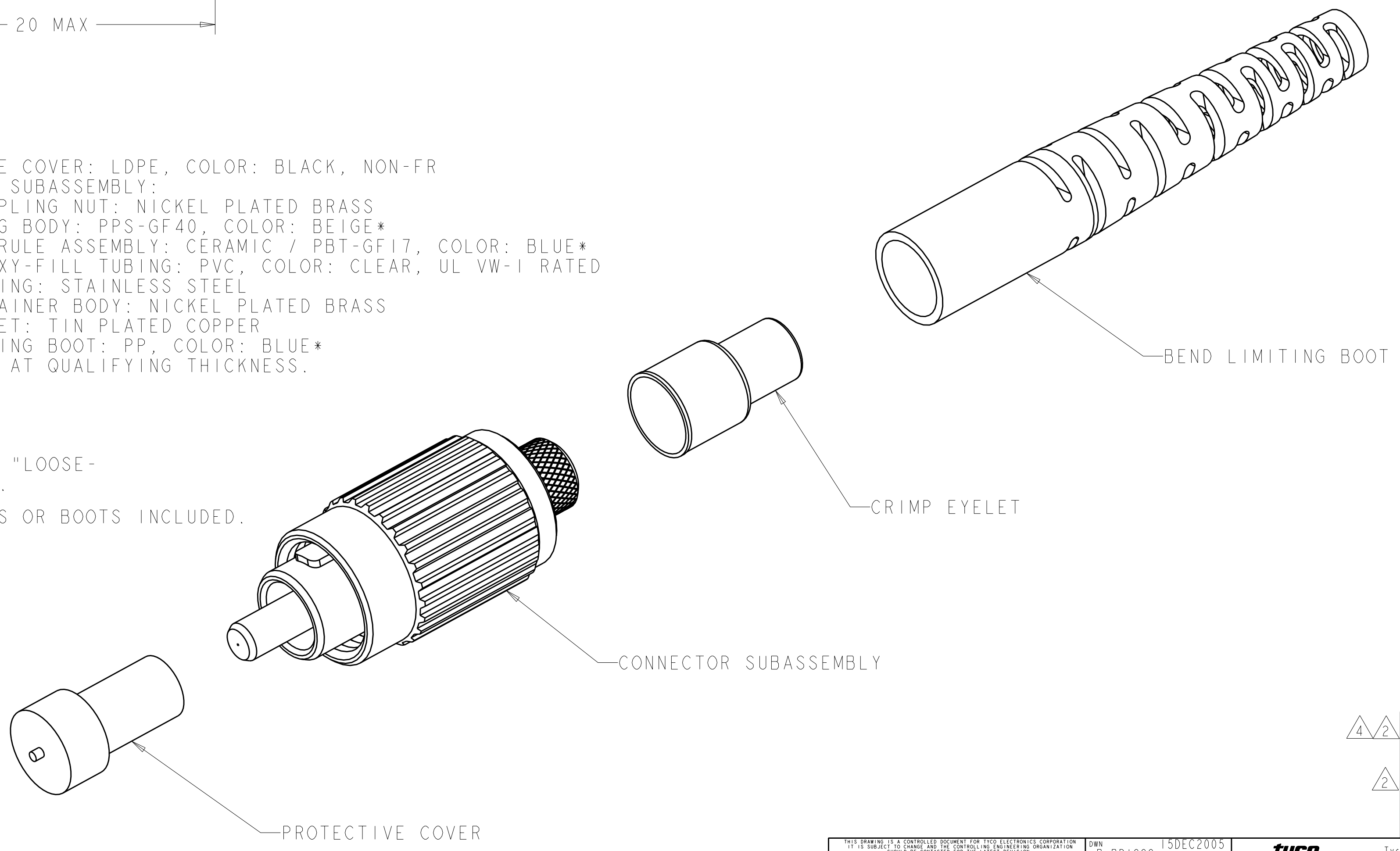
THIS DRAWING IS UNPUBLISHED. RELEASED FOR PUBLICATION 20
 © COPYRIGHT 20 BY TYCO ELECTRONICS CORPORATION. ALL RIGHTS RESERVED.

LOC	DIST	REVISIONS			
P	LTR	DESCRIPTION	DATE	DWN	APVD
CE	00	A	RELEASE TO ACTIVE	08JUN2006	BB SM



1 MATERIAL:
 PROTECTIVE COVER: LDPE, COLOR: BLACK, NON-FR
 CONNECTOR SUBASSEMBLY:
 COUPLING NUT: NICKEL PLATED BRASS
 PLUG BODY: PPS-GF40, COLOR: BEIGE*
 FERRULE ASSEMBLY: CERAMIC / PBT-GF17, COLOR: BLUE*
 EPOXY-FILL TUBING: PVC, COLOR: CLEAR, UL VW-1 RATED
 SPRING: STAINLESS STEEL
 RETAINER BODY: NICKEL PLATED BRASS
 CRIMP EYELET: TIN PLATED COPPER
 BEND LIMITING BOOT: PP, COLOR: BLUE*
 *UL94 V-0 RATED AT QUALIFYING THICKNESS.

- 2 BULK PACKAGE.
- 3. TO BE USED WITH "LOOSE-JACKETED" CABLE.
- 4 NO CRIMP EYELETS OR BOOTS INCLUDED.



4 2	6457216-5
	6457216-4
2	6457216-2
PART NUMBER	

<small>THIS DRAWING IS A CONTROLLED DOCUMENT FOR TYCO ELECTRONICS CORPORATION. IT IS SUBJECT TO CHANGE AND THE CONTROLLING ENGINEERING ORGANIZATION SHOULD BE CONTACTED FOR THE LATEST REVISION.</small>		DWN B. BRIGGS 15DEC2005 CHK S. MILLER 15DEC2005 APVD S. BUCHTER 15DEC2005	tyco Electronics Tyco Electronics Harrisburg, PA 17105-3608
DIMENSIONS: mm 	TOLERANCES UNLESS OTHERWISE SPECIFIED: 0 PLC ± 1 PLC ± 2 PLC ± 3 PLC ± 4 PLC ± ANGLES ± FINISH	PRODUCT SPEC APPLICATION SPEC WEIGHT	NAME CONNECTOR KIT, FC TYPE, SINGLEMODE, METAL RETAINER BODY SIZE CAGE CODE DRAWING NO RESTRICTED TO A2 00779 C-6457216 -
MATERIAL	1	CUSTOMER DRAWING	SCALE 5:1 SHEET 1 OF 1 REV A