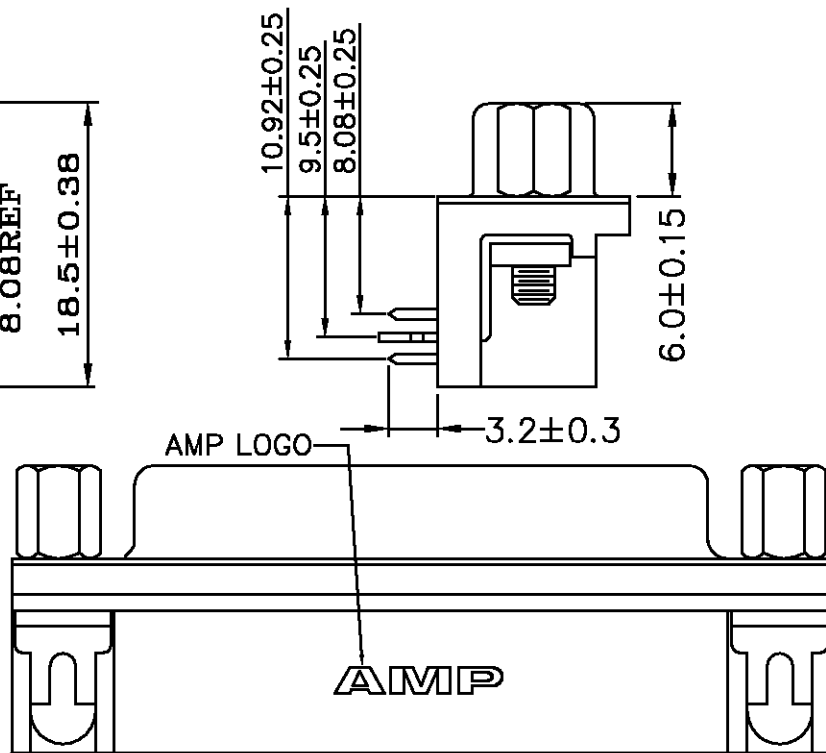
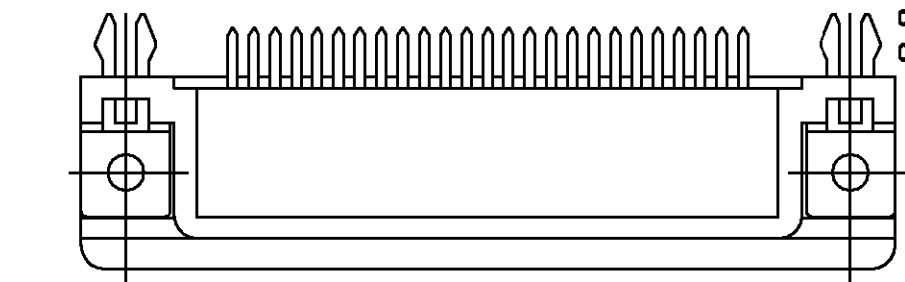
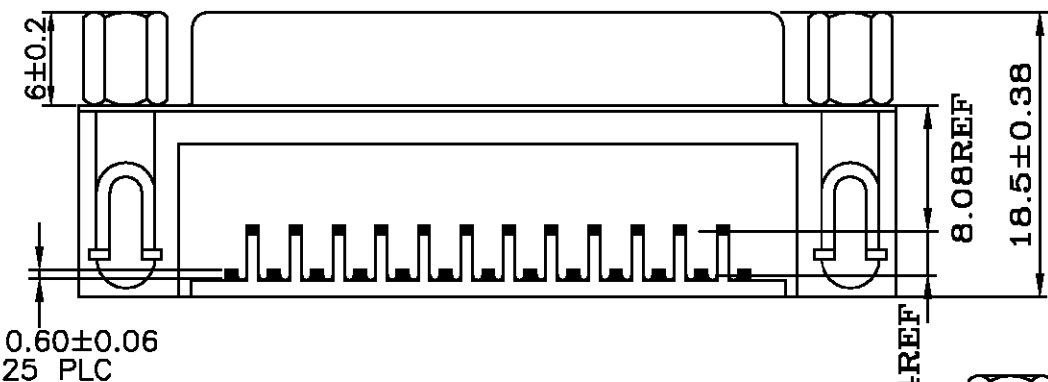
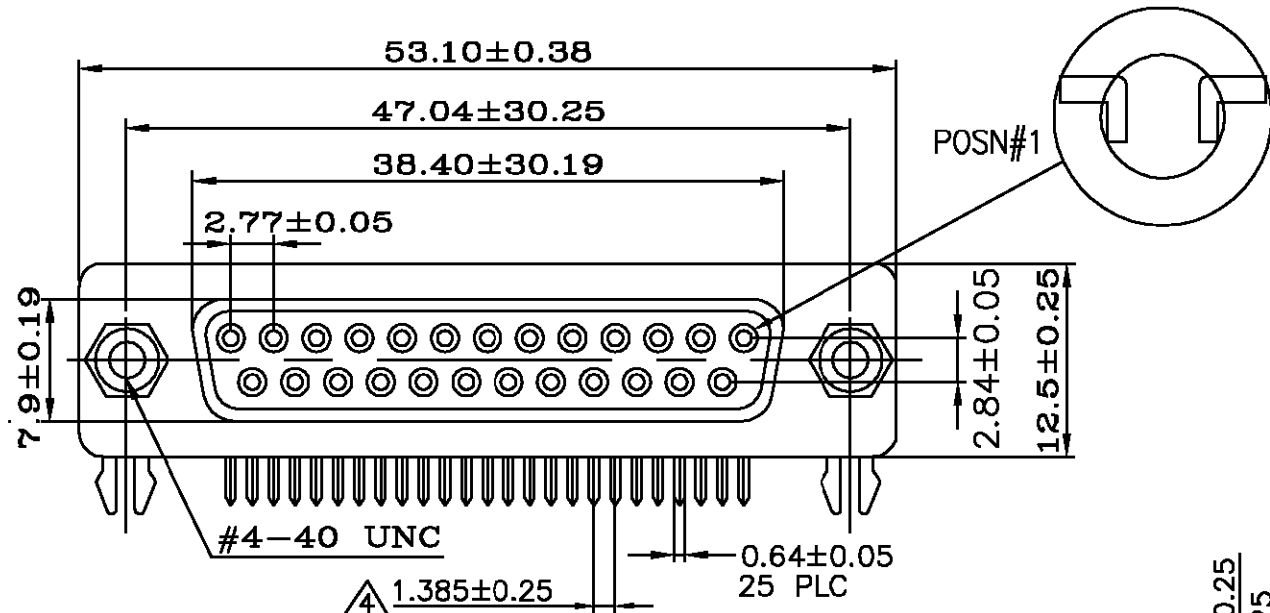
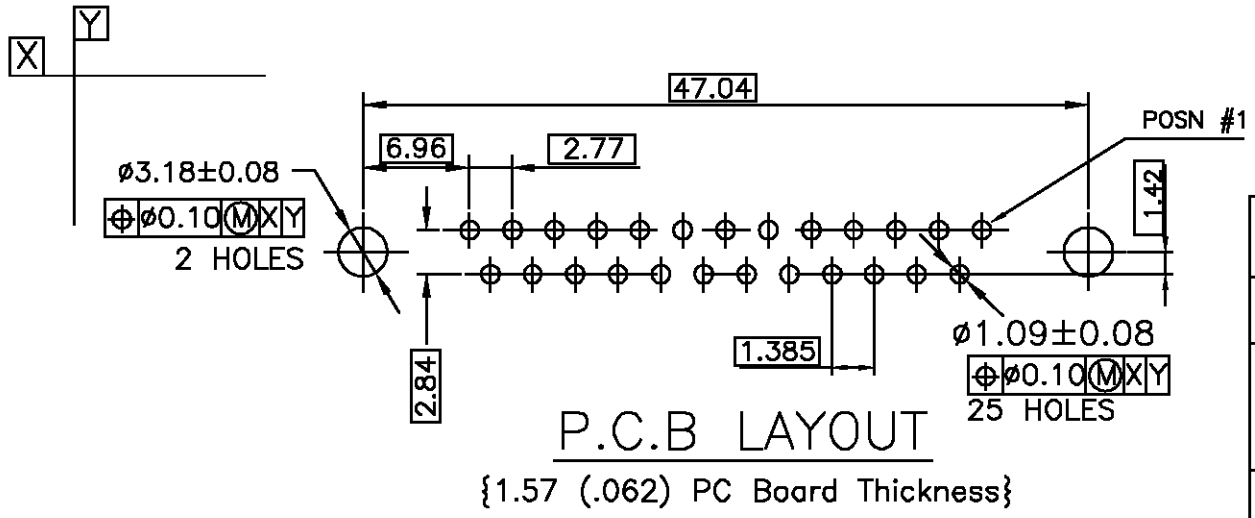


LOC	DIST	REVISIONS					
AD	00	P	LTR	DESCRIPTION	DATE	DWN	APVD
			0	NEW RELEASE	1SEPT99	MM	SG



- ① HOUSING: PBT, UL 94V-0 RATED, COLOR (SEE TABLE)
 CONTACTS: PHOSPHOR BRONZE.
 SHELL: STEEL.
 BOARDLOCKS: BRASS.
 THREADED INSERTS: BRASS.
 SCREWLOCK: BRASS.
- ② CONTACTS: GOLD PLATED (SEE TABLE) ON MATING END, 2.54µm[.000100in]
 MIN TIN-LEAD ON SOLDER TAILS ALL OVER 1.27µm[.000050in] MIN NICKEL
 ON ENTIRE CONTACT.
 SHELL: NICKEL PLATED.
 BOARDLOCK: TIN OR TIN-LEAD PLATED 2.54µm[.000100in]
 THREADED INSERT: NICKEL PLATED 0.76µm[.000030in].
 SCREWLOCK: NICKEL PLATED 0.76µm[.000030in].
- ③ SPECIFICATIONS:
 CURRENT RATING: 2 AMPS. (SIGNAL APPLICATION ONLY)
 VOLTAGE RATING: 250 VAC.
 DIELECTRIC WITHSTANDING VOLTAGE: 500 VAC(RMS).
 INSULATION RESISTANCE: 1000 MEGOHMS MIN.
 CONTACT RESISTANCE: 20 MILLIOHMS MAX.
 OPERATING TEMPERATURE: -55° TO 105°C.
 SCREWLOCK TORQUE:[1.0in-lb]MIN. UNLOCKING TORQUE.
- ④ DIMENSION IS NON-CUMULATIVE.
- 5. SPECIFICATIONS SUBJECT TO CHANGES WITHOUT NOTICE.
 CONTACT AMP FOR THE LATEST SPECIFICATIONS.

Packaging	Color	Contact Finish	AMP Part NO.
Tray	Black	0.38µm[.000015in]	788751-2
Tray	Black	Gold-Flash	788751-1



THIS DRAWING IS A CONTROLLED DOCUMENT.		DWN	M.MORRIS	09SEP99
DIMENSIONS:		CHK	S.GOOD	01SEP99
MM		APVD	S.GOOD	01SEP99
TOLERANCES UNLESS OTHERWISE SPECIFIED:		NAME		
0 PLC	± -	SEE NOTES ③		
1 PLC	± 0.3	APPLICATION SPEC		
2 PLC	± 0.2	-		
3 PLC	± 0.1	WEIGHT		
4 PLC	± -	-		
ANGLES	± -	CUSTOMER DRAWING		
MATERIAL	SEE NOTES ①	FINISH		
		SEE NOTES ②		

AMP AMP Incorporated
 Harrisburg, PA 17105-3608

RECEPTACLE ASSEMBLY, 25 POSN,
 RIGHT ANGLE, 8.08mm[0.318in]
 SERIES, AMPLIMITE, WITH SCREWLOCKS

SIZE	CAGE CODE	DRAWING NO	RESTRICTED TO
A3	00779	©=788751	

SCALE 1:1 SHEET 1 OF 1 REV 0