

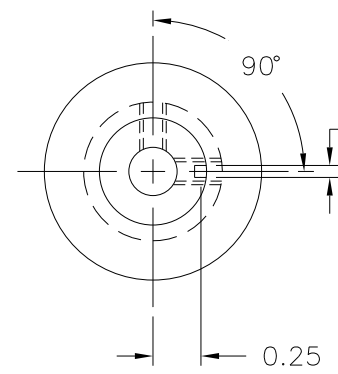
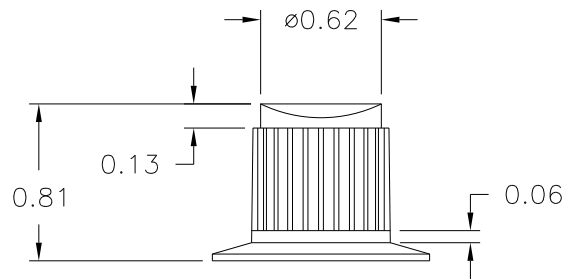
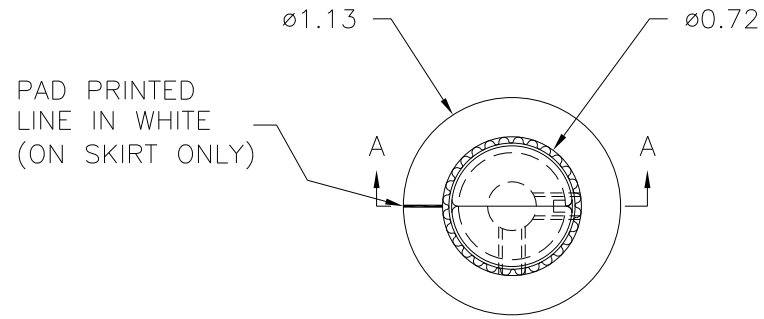
PART NAME: KNOB SCALE: 1:1 DATE: 5/18/11 DR. BY JAM

THIS DRAWING IS THE PROPERTY OF DAVIES MOLDING COMPANY, IS SUBMITTED SOLELY AS A DESIGN OR ENGINEERING PROJECT. WE ACCEPT NO RESPONSIBILITY WHATSOEVER FOR THE PRACTICAL APPLICATION OF THE PIECES MADE TO THIS DESIGN.

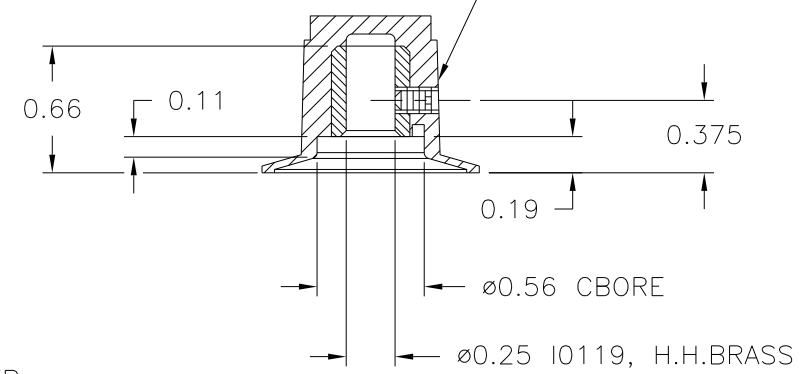


DESIGNERS & MANUFACTURERS OF KNOBS, HANDLES, CASES & CUSTOM PLASTIC COMPONENTS

P/N	8072-K
BASE PART	8072-01
SET SCREW	I0252 (2)



USE #36 DRILL (0.106), #6-32 THREAD X 3/16 LG. CUP POINTED, HEADLESS, SOCKET TYPE, SET SCREW, I0252 (2)



MATERIAL: ABS (CL9)  
COLOR: BLACK

TOLERANCES: UNLESS OTHERWISE SPECIFIED	DO NOT SCALE DRAWING			
DECIMALS: X.XXX ± .005 X.XX ± .015	MM: X.XX ± 0.15MM X.X ± 0.4MM	-	WAS SK8072-10	JAM 5/18/11
FRACTIONS ± 1/64	ANG. ± 1°	CHANGES		