

10/100BASE-T LAN MAGNETICS

Single-Port Transformer Modules

LM00410

- Low profile, surface mount packaging rated to 225° C peak IR reflow temperature
- Operating temperature 0° to 70° C
- Meets all IEEE 802.3 standards including 350µH with 8mA bias
- Minimum interwinding breakdown voltage of 1500 Vrms

ELECTRICAL SPECIFICATIONS AT 25° C

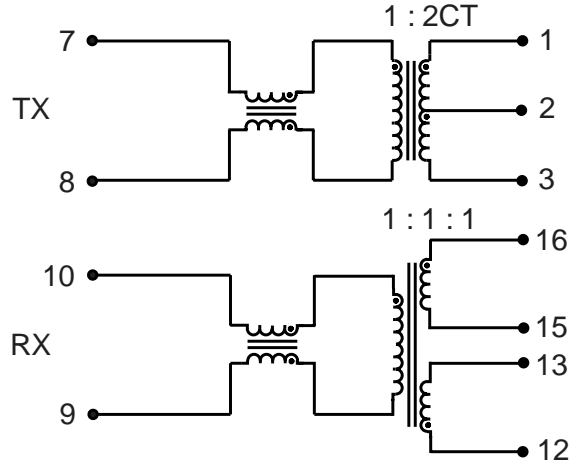
Part Number	Insertion Loss dB max	Return Loss dB min				Common to Differential Mode Rejection dB min		Crosstalk dB min			
		100kHz to 100MHz	100kHz to 30MHz	30MHz to 60MHz	60MHz to 80MHz	100kHz to 100MHz		1MHz	30MHz	60MHz	100MHz
S558-1287-00	-1.0	-20	-19	-12	-40	-40	-65	-55	-50	-40	
S558-1287-01	-1.0	-18	-12	-12	-40	-40	-65	-55	-50	-40	
S558-1287-02	-1.0	-20	-19	-12	-40	-40	-65	-55	-50	-40	
S558-1287-03	-1.0	-20	-18	-12	-40	-40	-65	-55	-50	-40	
S558-5999-50	-1.0	-20	-19	-12	-50	-30	-65	-55	-45	-35	
S558-5999-54	-1.0	-20	-19	-12	-50	-30	-65	-55	-45	-35	
S558-5999-64	-1.0	-20	-19	-12	-40	-40	-65	-55	-45	-35	
S558-5999-82	-1.0	-18	-12	-12	-40	-40	-65	-55	-50	-40	
S558-5999-86	-1.0	-20	-19	-12	-35	-30	-65	-55	-45	-35	
S558-5999-96	-1.0	-20	-18	-12	-40	-40	-65	-55	-50	-40	
S558-5999-97	-1.0	-20	-19	-12	-35	-30	-65	-55	-45	-35	
S558-5999-E3	-1.0	-20	-18	-12	-40	-40	-65	-55	-50	-40	

10/100BASE-T LAN MAGNETICS Single-Port Transformer Modules

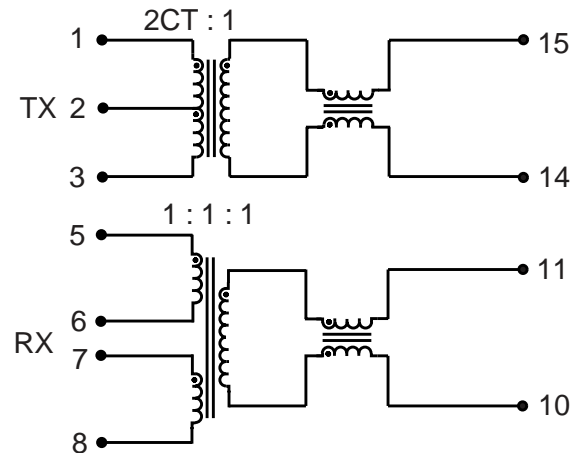
SCHEMATICS

Part Number	Turns Ratio	
	TX (Pri : Sec)	RX (Pri : Sec)
S558-1287-00	2CT : 1	1 : 1 : 1
S558-1287-01	2CT : 1	1 : 1 : 1
S558-1287-02	2CT : 1	1 : 1 : 1
S558-1287-03	1 : 2CT	1 : 1
S558-5999-50	1 : 1.41CT	1CT : 1CT
S558-5999-54	1CT : 1.41CT	1CT : 1CT
S558-5999-64	1 : 2CT	1 : 1
S558-5999-82	1CT : 2CT	1 : 1 : 1CT
S558-5999-86	1 : 1.23CT	1CT : 1CT
S558-5999-96	2CT : 1	1CT : 1CT
S558-5999-97	1CT : 1.23	1CT : 1CT
S558-5999-E3	2CT : 1	1CT : 1CT

S558-1287-00
S558-1287-02



S558-1287-01



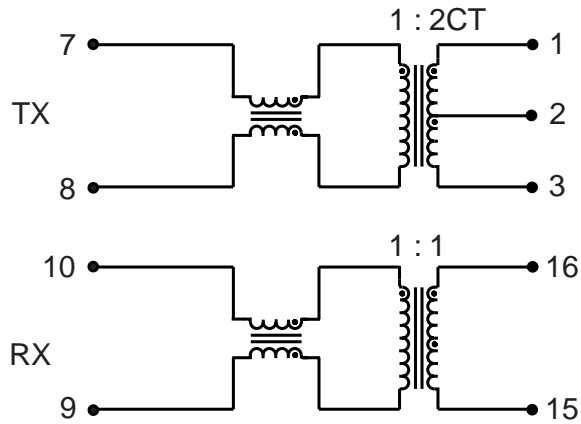
10/100BASE-T LAN MAGNETICS

Single-Port Transformer Modules

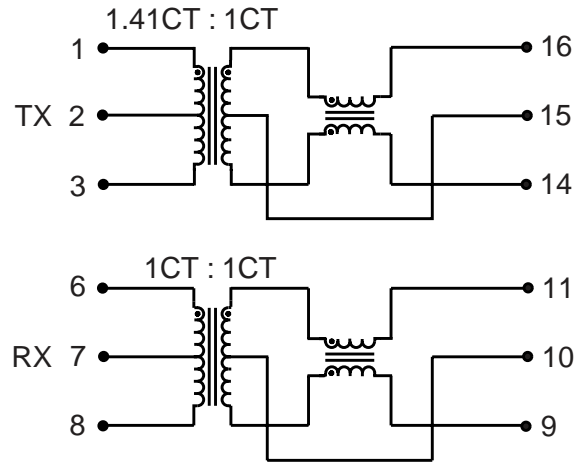
LM00410

SCHEMATICS

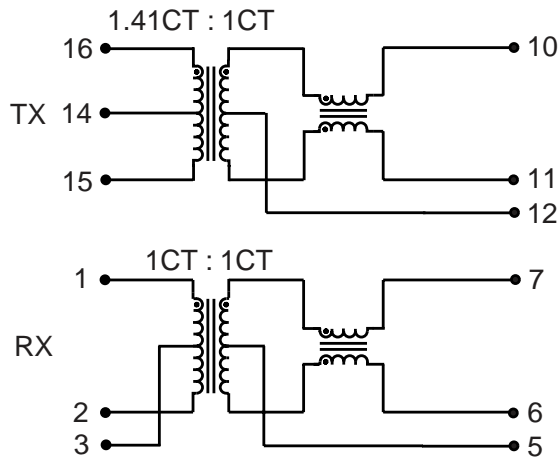
S558-1287-03



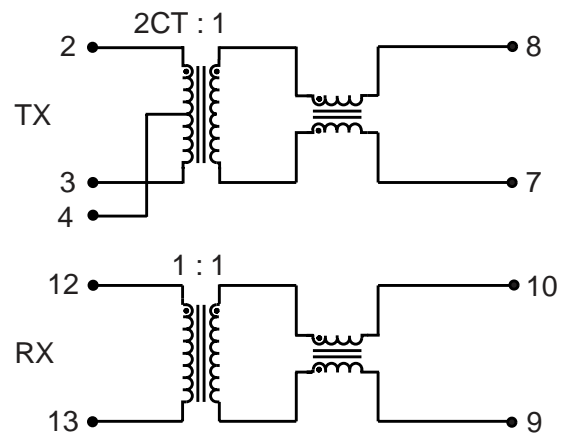
S558-5999-50



S558-5999-54



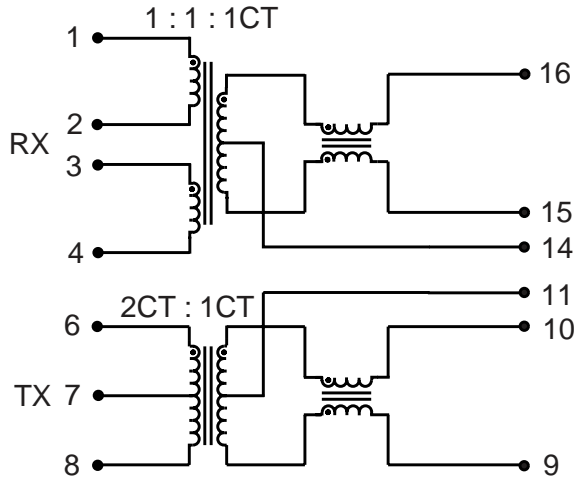
S558-5999-64



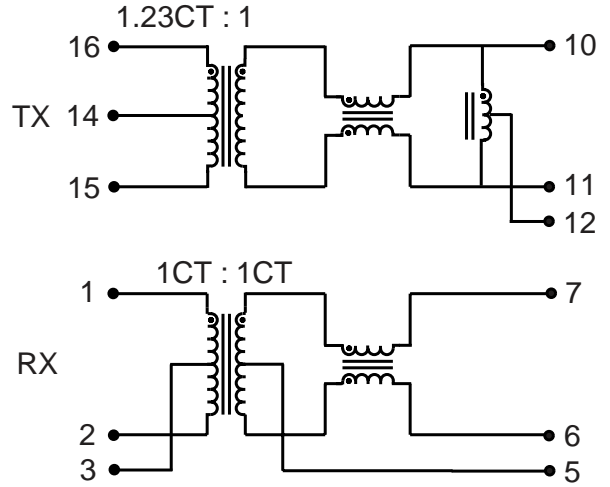
10/100BASE-T LAN MAGNETICS Single-Port Transformer Modules

SCHEMATICS

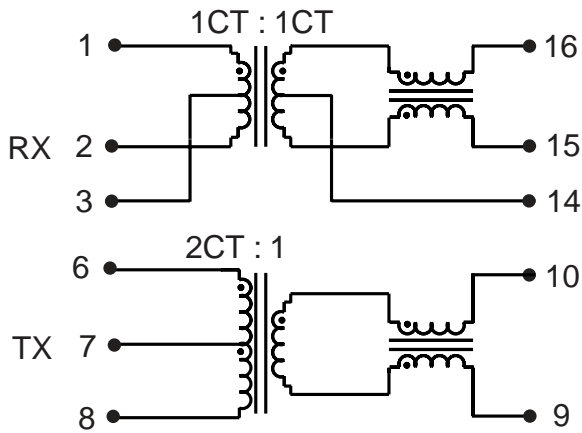
S558-5999-82



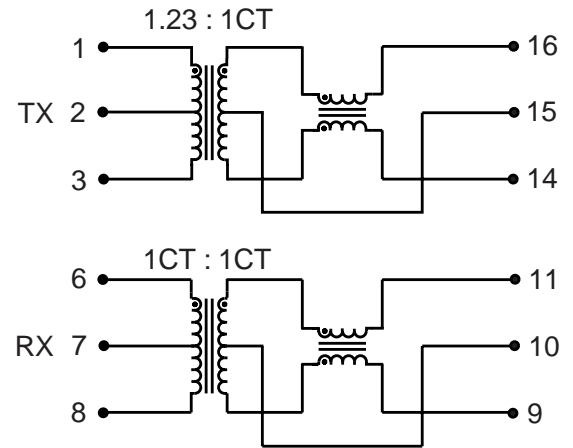
S558-5999-86



S558-5999-96



S558-5999-97



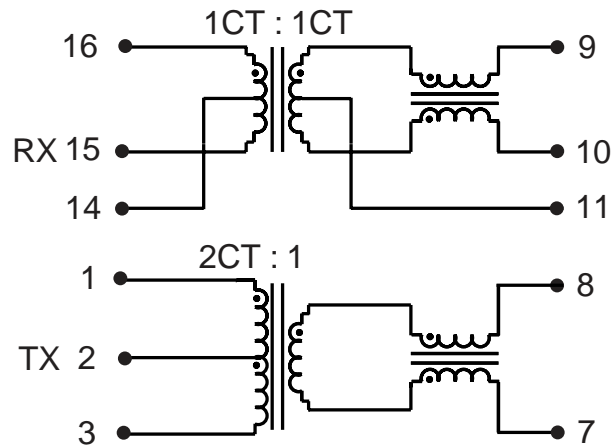
10/100BASE-T LAN MAGNETICS

Single-Port Transformer Modules

LM00410

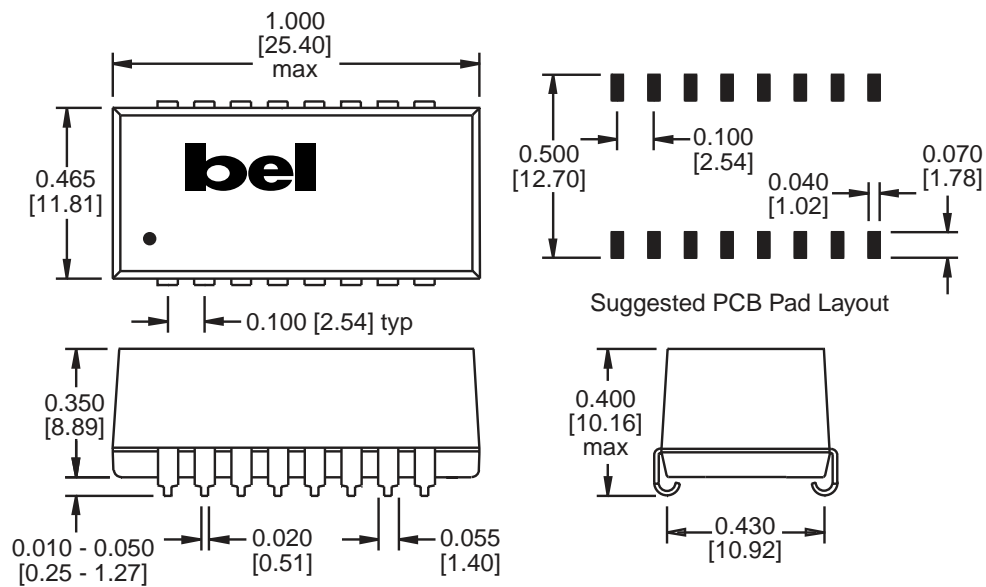
SCHEMATICS

S558-5999-E3



MECHANICALS

S558-1287-00

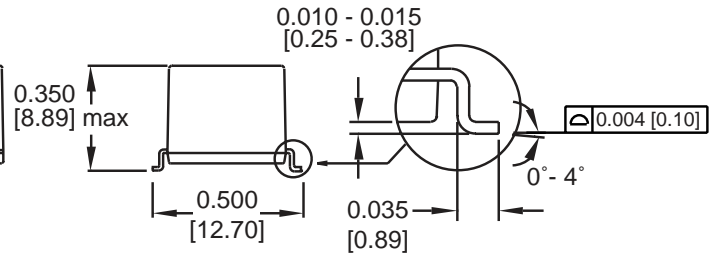
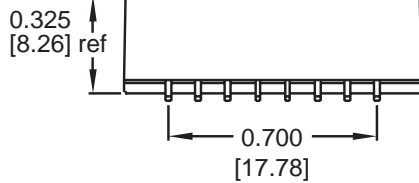
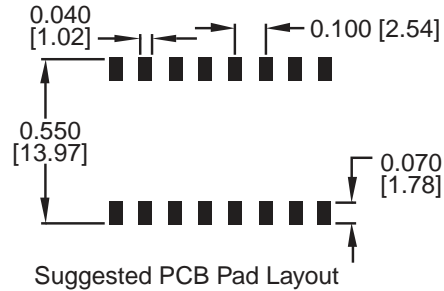
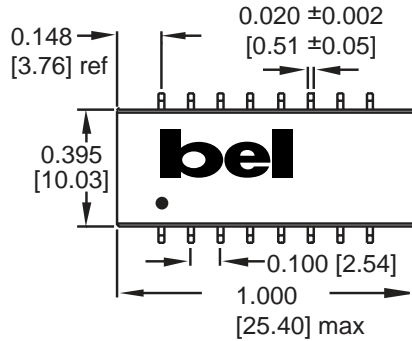


Dimensions are in inches [millimeters].
Standard dimension tolerance is ± 0.005 [0.13] unless otherwise noted.

LM00410

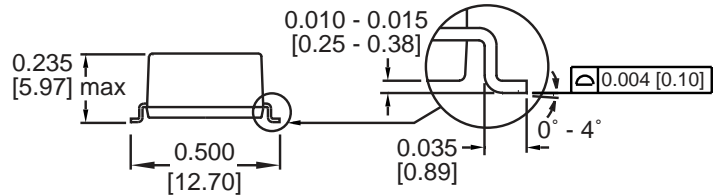
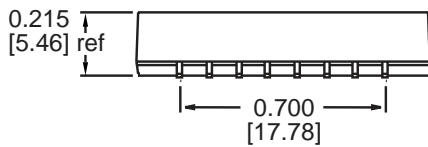
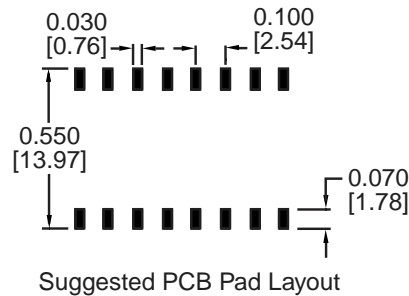
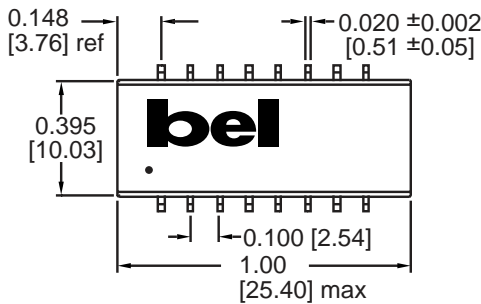
MECHANICALS

S558-1287-01
S558-1287-02
S558-1287-03
S558-5999-64



Dimensions are in inches [millimeters].
Standard dimension tolerance is ±0.005 [0.13] unless otherwise noted.

S558-5999-50
S558-5999-54
S558-5999-82
S558-5999-86
S558-5999-96
S558-5999-97
S558-5999-E3



Dimensions are in inches [millimeters].
Standard dimension tolerance is ±0.005 [0.13] unless otherwise noted.

©2001 Bel Fuse Inc. Specifications subject to change without notice. 09.01

CORPORATE

Bel Fuse Inc.
206 Van Vorst Street
Jersey City, NJ 07302
Tel 201-432-0463
Fax 201-432-9542
www.belfuse.com

FAR EAST

Bel Fuse Ltd.
8F / 8 Luk Hop Street
San Po Kong
Kowloon, Hong Kong
Tel 852-2328-5515
Fax 852-2352-3706
www.belfuse.com

EUROPE

Bel Fuse Europe Ltd.
Preston Technology Management Centre
Marsh Lane, Suite G7, Preston
Lancashire, PR1 8UD, U.K.
Tel 44-1772-556601
Fax 44-1772-888366
www.belfuse.com