

1969656-1 ✓ ACTIVE

FASTON | FASTON 250

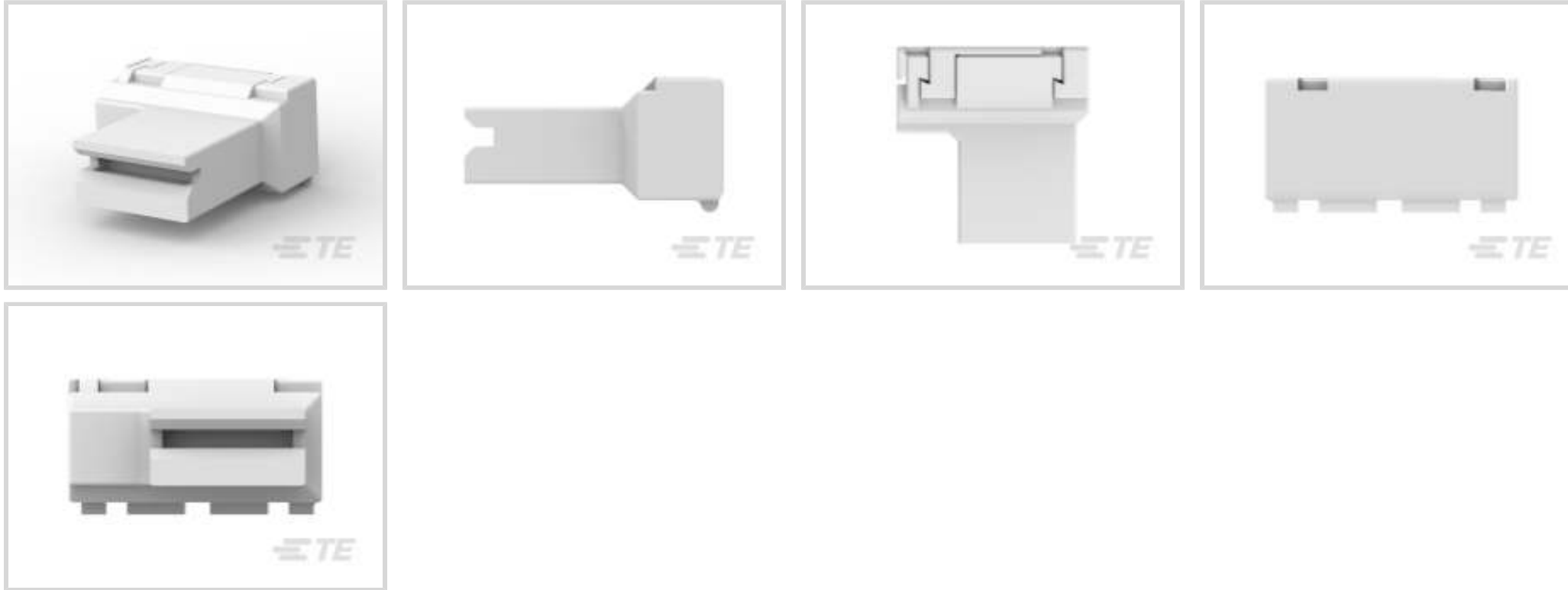
TE Internal #: 1969656-1

Crimp Terminal Housings, Receptacle, Receptacle, 1 Position, Flag,  
UL 94V-0, Natural, Nylon, Contact Mating Retention, FASTON 250

[View on TE.com >](#)



Terminals & Splices > Terminal Housings, Insulation Sleeves & Blocks > Crimp Terminal Housings



Terminal Type: **Receptacle**

Connector & Housing Type: **Receptacle**

Number of Positions: **1**

Terminal Orientation: **Flag**

UL Flammability Rating: **UL 94V-0**

## Features

### Product Type Features

Sealable	No
Connector & Housing Type	Receptacle

### Configuration Features

Number of Positions	1
---------------------	---

### Body Features

Primary Product Color	Natural
-----------------------	---------

### Contact Features

Terminal Type	Receptacle
Terminal Orientation	Flag
Contact Mating Retention	With

### Mechanical Attachment

Mating Alignment Type	None
Mating Retention Type	Dimple
Mating Alignment	Without



Connector Mounting Type

Cable Mount (Free-Hanging)

### Housing Features

Housing Material

Nylon

### Usage Conditions

Operating Temperature Range

-40 – 150 °C[-40 – 302 °F]

### Industry Standards

UL Flammability Rating

UL 94V-0

### Packaging Features

Packaging Method

Carton

## Product Compliance

[For compliance documentation, visit the product page on TE.com>](#)

EU RoHS Directive 2011/65/EU

Compliant

EU ELV Directive 2000/53/EC

Compliant

China RoHS 2 Directive MIIT Order No 32, 2016

No Restricted Materials Above Threshold

EU REACH Regulation (EC) No. 1907/2006

Current ECHA Candidate List: JUNE 2023 (235)  
 Candidate List Declared Against: JAN 2023 (233)  
 Does not contain REACH SVHC

Halogen Content

Not Low Halogen - contains Br or Cl &gt; 900 ppm.

Solder Process Capability

Not reviewed for solder process capability

#### Product Compliance Disclaimer

This information is provided based on reasonable inquiry of our suppliers and represents our current actual knowledge based on the information they provided. This information is subject to change. The part numbers that TE has identified as EU RoHS compliant have a maximum concentration of 0.1% by weight in homogenous materials for lead, hexavalent chromium, mercury, PBB, PBDE, DBP, BBP, DEHP, DIBP, and 0.01% for cadmium, or qualify for an exemption to these limits as defined in the Annexes of Directive 2011/65/EU (RoHS2). Finished electrical and electronic equipment products will be CE marked as required by Directive 2011/65/EU. Components may not be CE marked. Additionally, the part numbers that TE has identified as EU ELV compliant have a maximum concentration of 0.1% by weight in homogenous materials for lead, hexavalent chromium, and mercury, and 0.01% for cadmium, or qualify for an exemption to these limits as defined in the Annexes of Directive 2000/53/EC (ELV). Regarding the REACH Regulation, the information TE provides on SVHC in articles for this part number is based on the latest European Chemicals Agency (ECHA) 'Guidance on requirements for substances in articles' posted at this URL: <https://echa.europa.eu/guidance-documents/guidance-on-reach>

## Compatible Parts



Also in the Series | **FASTON 250**



Compression Connectors(4)



Crimp Terminal Housings(142)



Insertion & Extraction Tools(6)



Magnet Wire Terminals(1)



PCB Terminals(135)

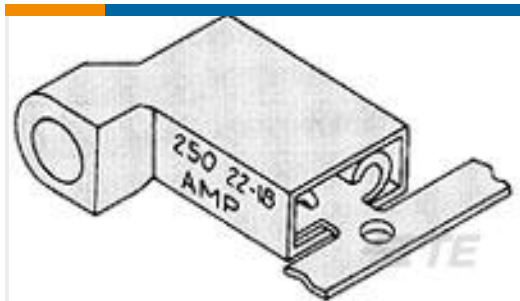


Quick Disconnects(445)



Splices(4)

## Customers Also Bought



TE Part #9-520132-2  
ULTRA-FAST 250 ASY FLAG REC 16-14 TPBR



TE Part #1969588-2  
HSG, REC, FREE-HANGING, SINGLE ROW,EP2.5



TE Part #42508-2  
RING CRIMP 24-20 AWG TPBR



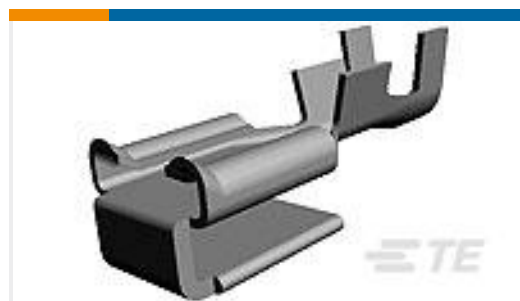
TE Part #63009-2  
250 FASTON FLAG REC 18-14 AWG TPBR



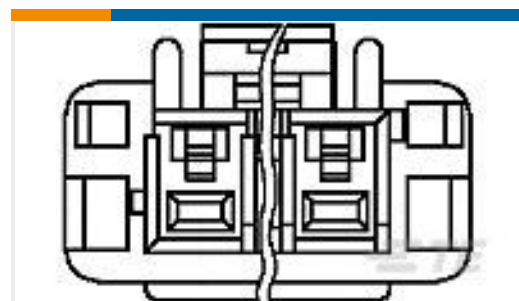
TE Part #41532  
250 FASTON FLAG REC 18-12 AWG TPBR



TE Part #521411-1  
ULTRA-POD 250 ASY REC 22-18 AWG BR



TE Part #1217043-1  
250 FASTON,REC.,14-10 AWG,TPBR



TE Part #1-1376388-2  
5MM POWER KEY 2P PLUG HSG RED

## Documents

[CAD Files](#)

[3D PDF](#)

[3D](#)

[Customer View Model](#)

[ENG\\_CVM\\_CVM\\_1969656-1\\_B.2d\\_dxf.zip](#)

English

[Customer View Model](#)

[ENG\\_CVM\\_CVM\\_1969656-1\\_B.3d\\_igs.zip](#)



English

**Customer View Model**

[ENG\\_CVM\\_CVM\\_1969656-1\\_B.3d\\_stp.zip](#)

English

By downloading the CAD file I accept and agree to the [Terms and Conditions](#) of use.

---

**Datasheets & Catalog Pages**

[PB 30A PCB Relay T9G Series](#)

English

[Introductory Flyer - High Temperature FASTON Housings](#)

English

---

**Product Environmental Compliance**

[TE Material Declaration](#)

English