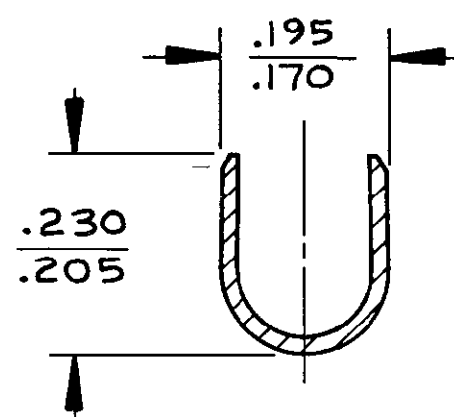
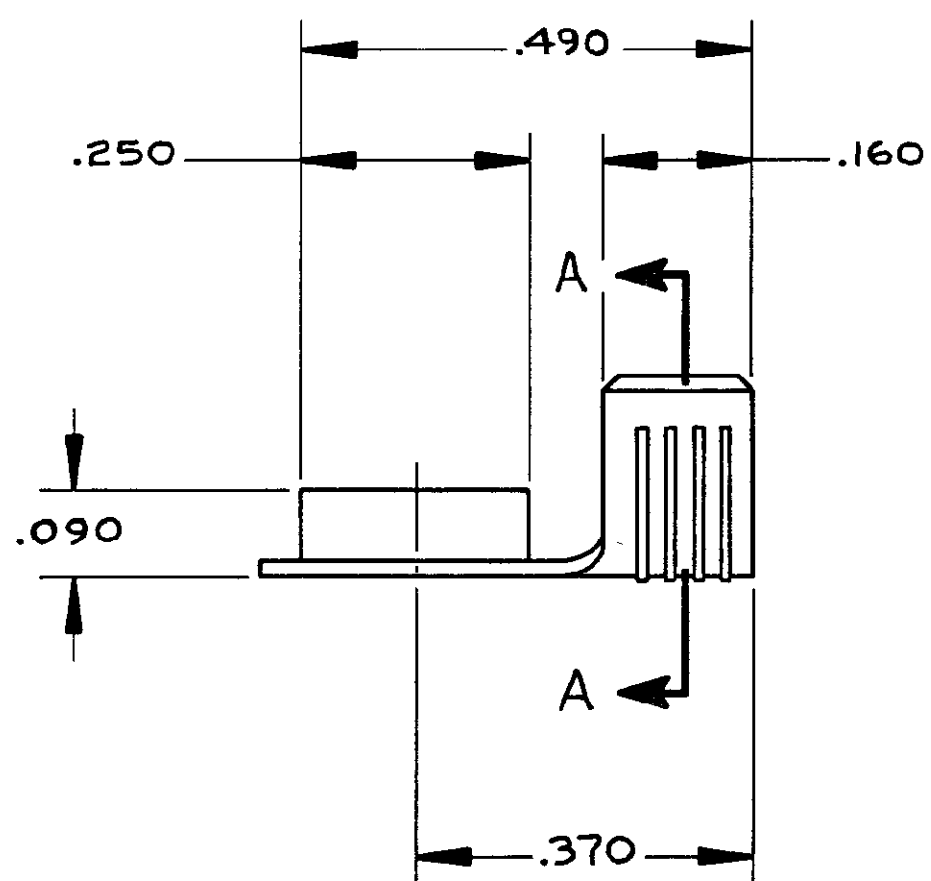
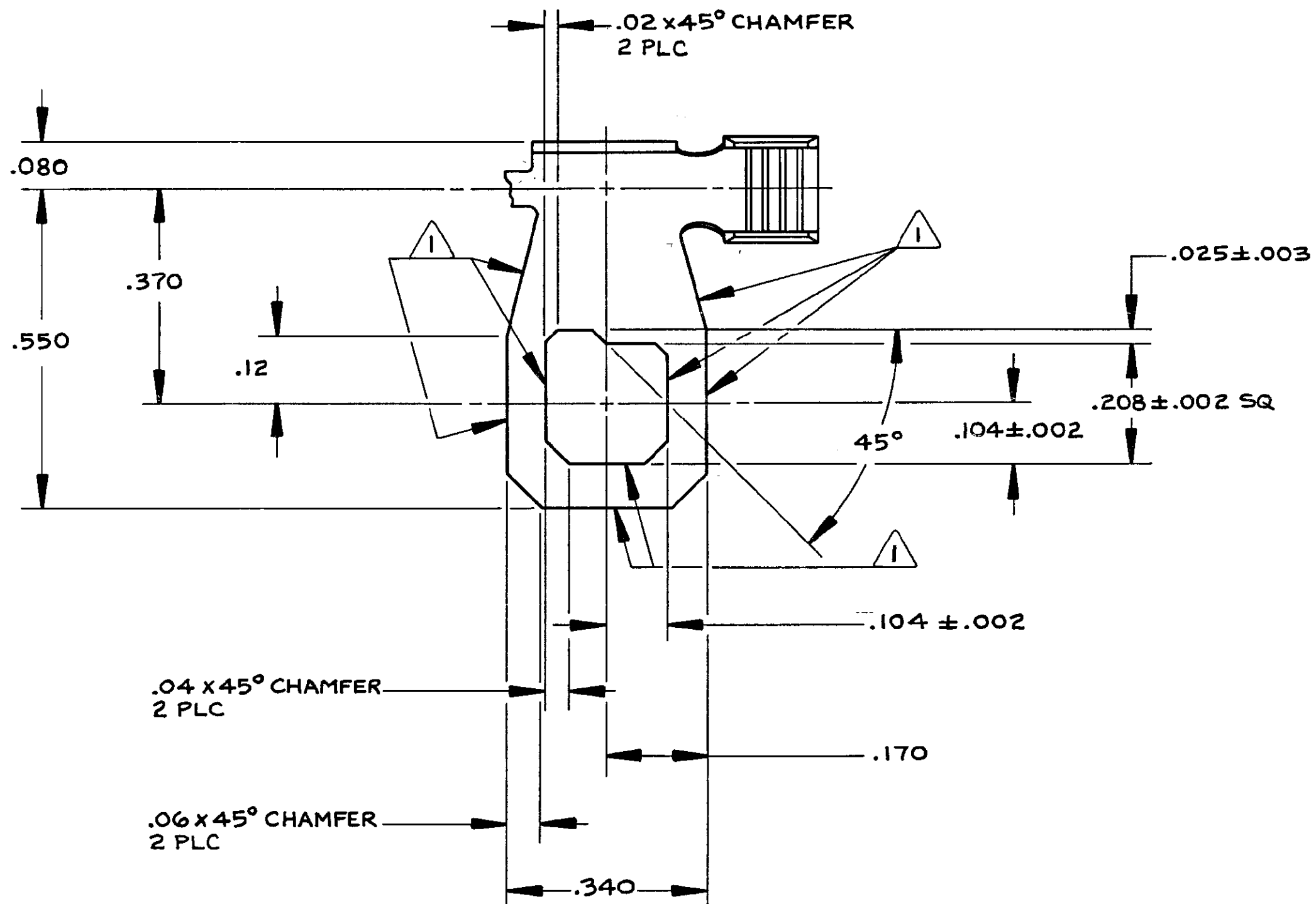


THIS DRAWING IS UNPUBLISHED. RELEASED FOR PUBLICATION, 19
 © COPYRIGHT 19 BY AMP INCORPORATED, HARRISBURG, PA. ALL INTERNATIONAL RIGHTS RESERVED. AMP PRODUCTS MAY BE COVERED BY U.S. AND FOREIGN PATENTS AND/OR PATENTS PENDING.

LOC	DIST	REVISIONS				
P	F	ZONE	LTR	DESCRIPTION	DATE	APPD
AF	50		D1	REVISED PER ECR-15-016360	10MAR2016	LP



	BRIGHT TIN	61016-3
OBSOLETE	MATTE TIN	61016-1
	FINISH	PART NUMBER

UNLESS OTHERWISE SPECIFIED DIMENSIONS ARE IN INCHES TOLERANCES ON 2 PL DEC ± .01 3 PL DEC ± .015 ANGLES ± 1° 0'		DR CHK <i>S. James</i> 8-6-87 APPD <i>Pratt</i> 8.10.87 APPD <i>Don N. Crane</i> 11 Apr 87 PRODUCT SPEC	TE Connectivity NAME FLAG TONGUE	
MATERIAL BRASS 4HD	FINISH SEE TABLE	APPLICATION SPEC	SIZE C	FSCM NO 00779
		WEIGHT	SCALE 5:1	DRAWING NO 61016
			SHEET 1 OF 1	Rev D1