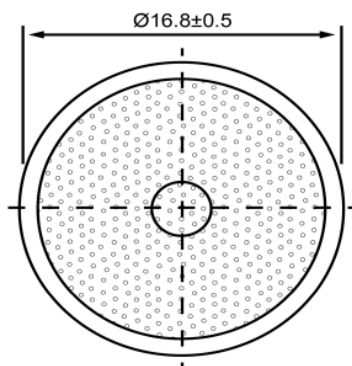
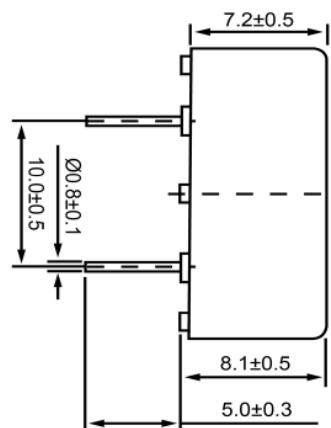



TOP VIEW



SIDE VIEW



Specifications			Notes	Revision History					
Description	Value	Unit		Version	Description		Date	Approved	
Technology	Piezo		1) All dimensions are in mm unless otherwise noted 2) All parts meet RoHS	1	Released from Engineering		10/21/2013	J.S	
Resonant Frequency	4,000	(Hz)							
Rated Voltage	9	(V)							
SPL @ 10cm	80	(dBA)							
Capacitance	10,500	(pF)							
Mount Type	Thru Hole								
Voltage Range	1 ~ 30	(V)							
Max Rated Current	7	(mA)							
Housing Material	PBT								
Operating Temperature	-20 ~ +70	°C							
Storage Temperature	-20 ~ +70	°C							
Weight	3	(g)							
			 DB UNLIMITED	Piezo Transducer			TP164009-2		
				Drawn by: A.B. Date: 10/21/2013 Checked by: C.E. Date: 10/21/2013 Approved by: J.S Date: 10/21/2013					

Additional considerations can be found at www.dbunlimitedco.com/technical-articles.