

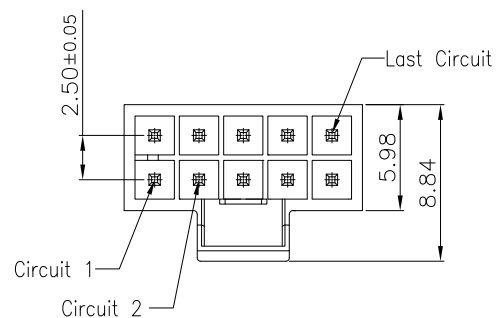
1

2

3

4

5

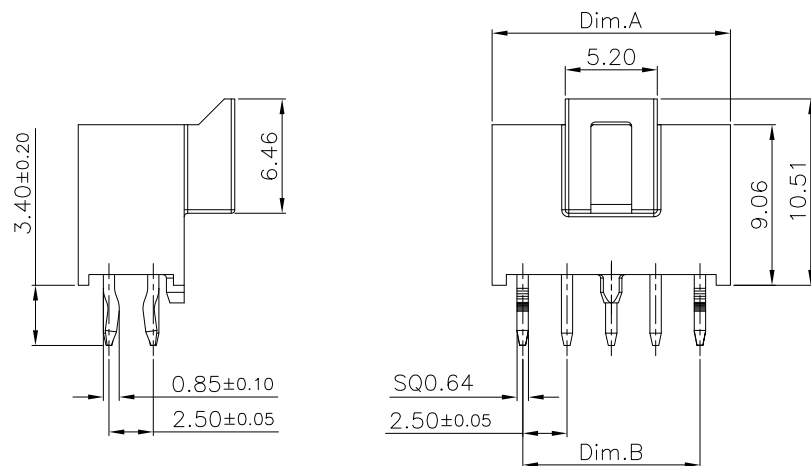


Specifications:

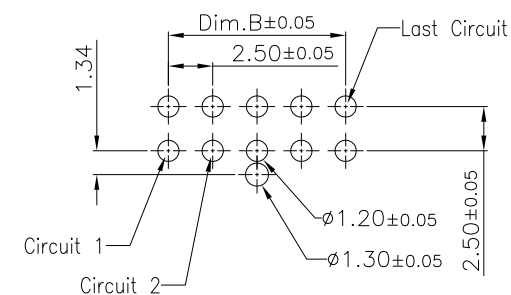
Current rating:6.5A AC,DC
 Voltage rating:250V AC, DC
 Contact resistance:10m ohm Max
 Insulation resistance:1000M ohm Min
 Withstanding voltage:AC 1500V AC/minute
 Operating Temperature:-40°C ~ +105°C

Materials:

Insulator:High Temp Plastic (LCP UL94V-0)
 Insulator Color:Black
 Terminal:Brass
 Finish:Tin Plated



Circuits	Dimension	
	A	B
4	5.95	2.50
6	8.45	5.00
8	10.95	7.50
10	13.45	10.00
12	15.95	12.50
14	18.45	15.00
16	20.95	17.50
18	23.45	20.00



P.C.B. Layout

RoHS Compliant

DRAWN:

GENERAL TOLERANCE:

.X = ± 0.20
 .XX = ± 0.15

CnC Tech

Industrial Cable and Connector Technology

CHECKED:

UNIT: MM

DESCRIPTION: Wire To Board Wafer, 2.5mm, Straight,
 Tin Plated, Front Lock

SIZE

APPROVAL:

SCALE: 1:1

SHEET: 1 / 1

PART NO:

54025-XX-0100-01

A4

REV

DATE

FILE

BY

PROJECTION:

