

PRODUCT DESCRIPTION CODE :

10170389-2XX LF

RoHS COMPATIBLE  
 FOR CUSTOMER CODE:  
 BLANK = GENERAL USE  
 V = CUSTOMER DEDICATED PART

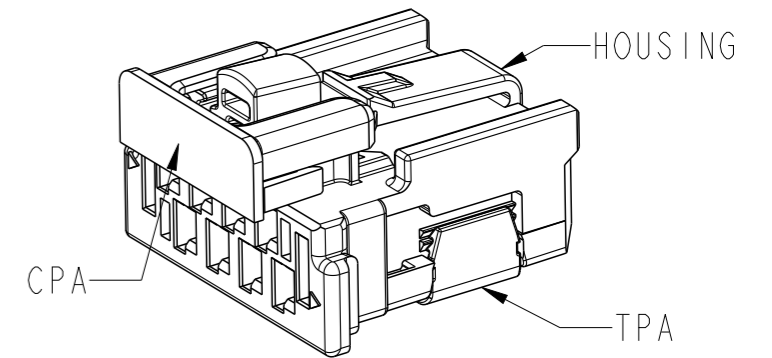
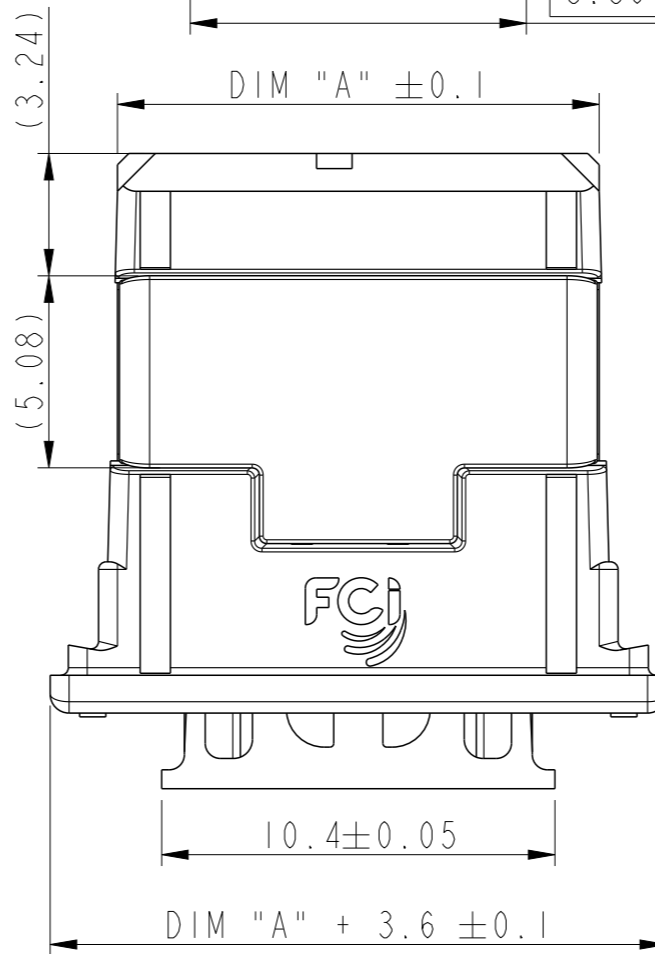
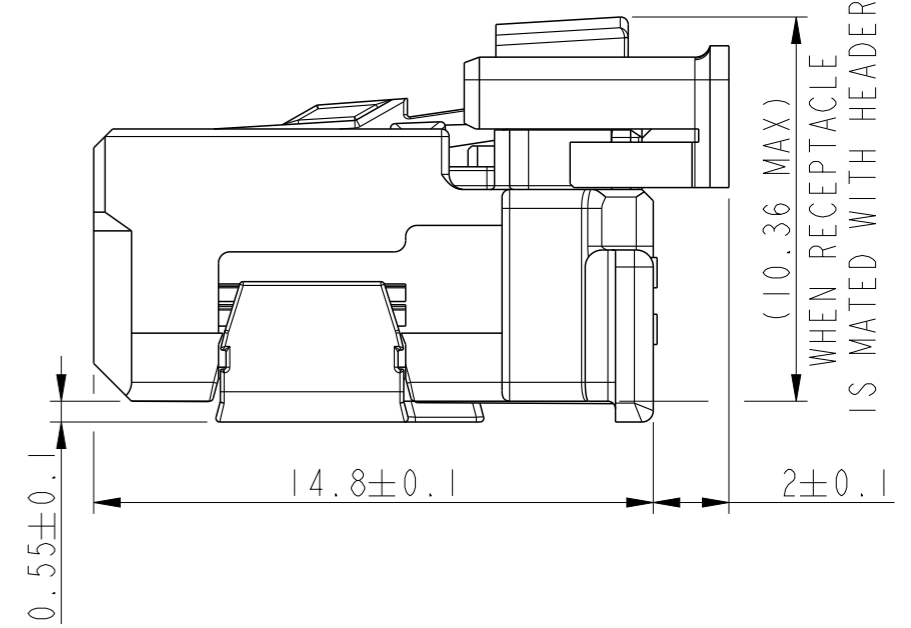
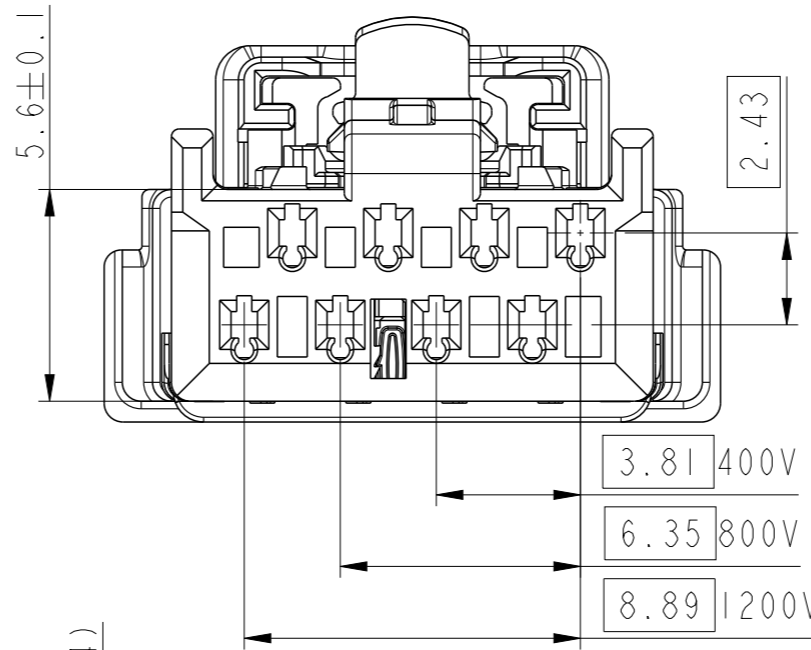
PACKAGING :  
 BLANK = BULK  
 BLANK = WITH CPA  
 W = WITHOUT CPA

NUMBER OF POSITIONS : SEE TABLE

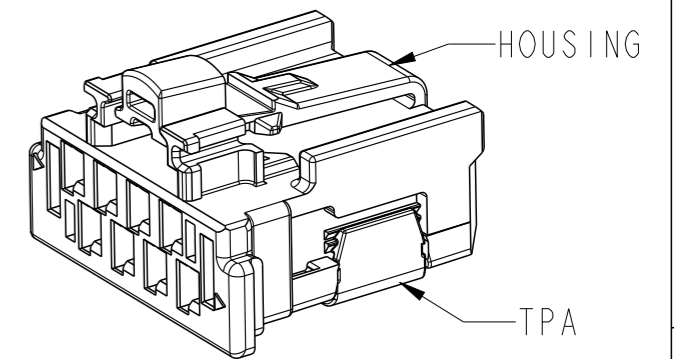
MATERIAL

NOTES:

- 1 - MATERIAL:  
 HIGH TEMPERATURE THERMOPLASTIC  
 HOUSING : COLOR ORANGE (RAL2003) UL94 V-0  
 TPA : COLOR BLACK UL94 V-0  
 CPA : COLOR RED UL94 V-0  
 REGRIND < 30%
- 2 - FOR USE WITH MINITEK μSPACE CTW TERMINALS :  
 AWG 22 TO AWG 28, SERIES 10141272
- 3 - TO BE MATED WITH MINITEK μSPACE HIGH VOLTAGE  
 HEADERS HORIZONTAL SERIES 10170436(400V)/  
 10170437(800V)/10170438(1200V)
- 4 - TO BE MATED WITH MINITEK μSPACE HIGH VOLTAGE  
 HEADERS VERTICAL SERIES 10170506(400V)/  
 10170507(800V)/10170508(1200V)
- 5 - THE PRODUCT IS NOT INTENDED TO BE EXPOSED TO ANY  
 SOLDER PROCESS.
- 6 - PRODUCT SPECIFICATION : GS-12-1821  
 APPLICATION SPECIFICATION : GS-20-0513  
 PACKAGING SPECIFICATION : GS-14-2790
- 7 - RoHS COMPATIBLE PRODUCT SPECIFICATIONS
  - a - LABELLING :  
 MEETS PACKAGING SPECS AS PER GS-14-920
  - b - LEGAL STATEMENT :  
 SEE GS-47-0004.



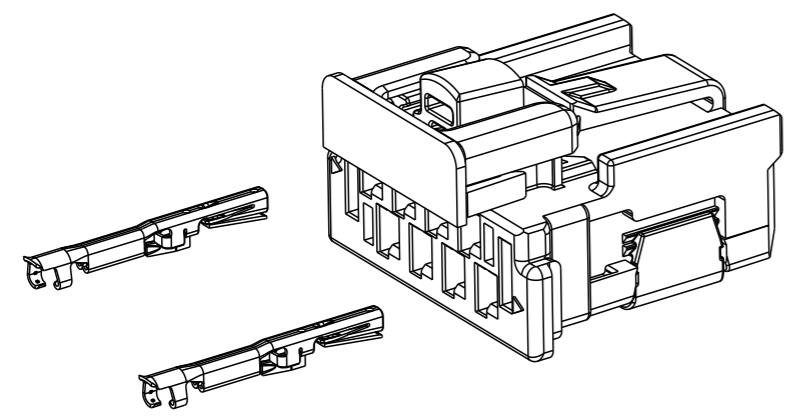
10170389-2XXLF (WITH CPA)



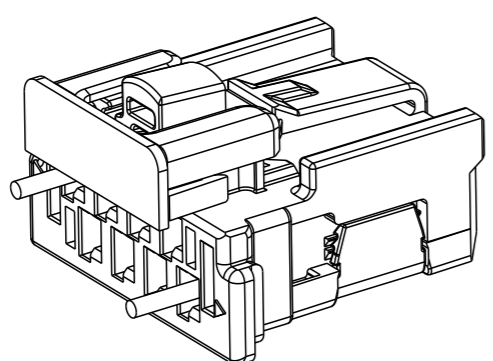
10170389-2XXWLF (WITHOUT CPA)

PRE-LOAD CONFIGURATION : DELIVERED STATUS

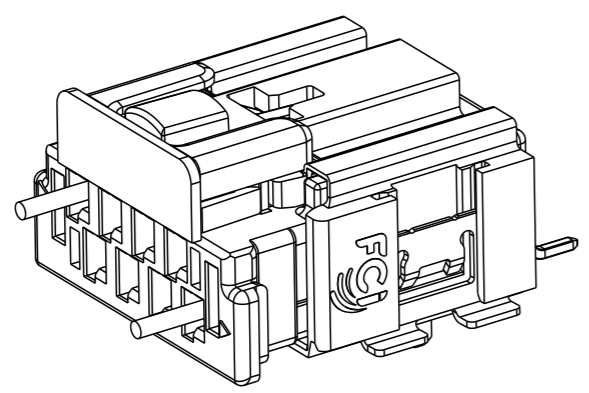
spec ref	GS-12-1821	dr	Huang, Yin-Chi	2023/01/27	projection	mm	size	A3	scale	5:1
tolerance std	ISO 406 ISO 1101	eng	Moisan, Gwenda	2023/03/16			ecn no		rel level	
TOLERANCES UNLESS OTHERWISE SPECIFIED		chr	Huang, Yin-Chi	2023/03/16			-		Released	
surface	linear	appr	Vallière, Jérôme	2023/03/16	product family	-	-		dwg no	10170389
	angular	Amphenol FCI		RECEPTACLE ASSY HIGH VOLTAGE		-		rev	A	
				MINITEK μSPACE STAGGERED TOP LATCH		-		cat. no.		Product - Customer Drw
						-		sheet 1 of 5		



PRE-LOAD CONFIGURATION FOR TERMINAL INSERTION

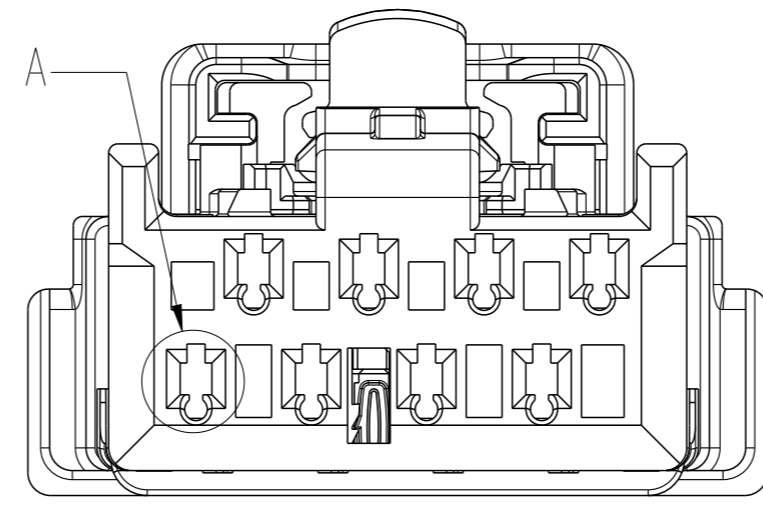


FINAL LOAD CONFIGURATION WITH INSERTED TERMINAL

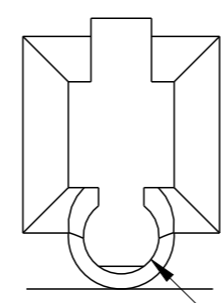


FULL HEADER AND RECEPTACLE ASSEMBLY CONFIGURATION

SEE DETAIL

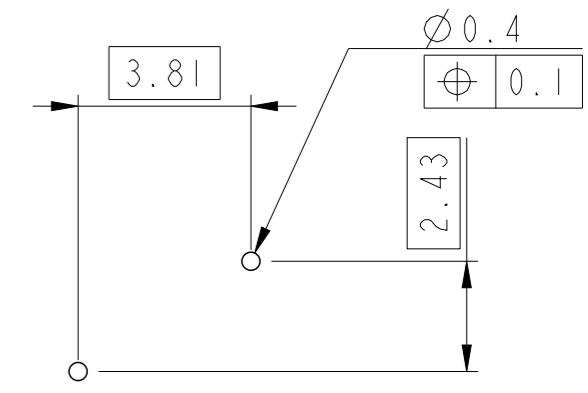


TEST PROBE  $\varnothing 0.4\text{mm}$  COMPLIANCE

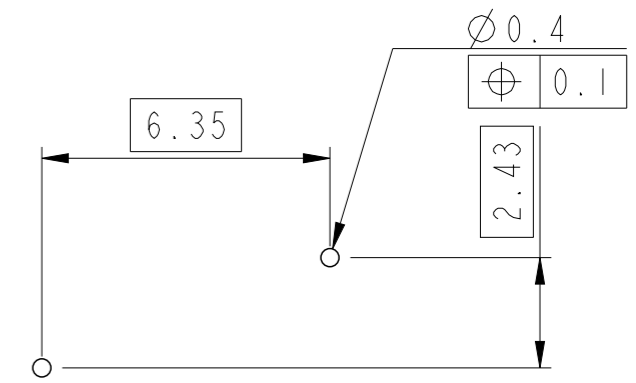


HOLE FOR TEST PROBE

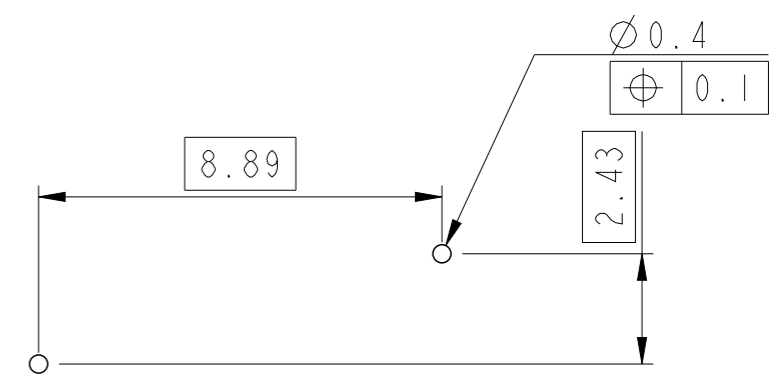
DETAIL A  
SCALE 20:1



RECOMMENDED LAYOUT OF TEST PROBE  $\varnothing 0.4\text{mm}$   
400 Voltage



RECOMMENDED LAYOUT OF TEST PROBE  $\varnothing 0.4\text{mm}$   
800 Voltage

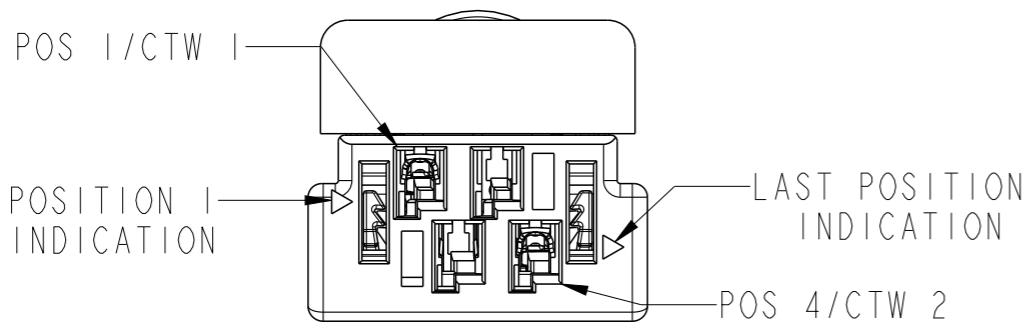


RECOMMENDED LAYOUT OF TEST PROBE  $\varnothing 0.4\text{mm}$   
1200 Voltage

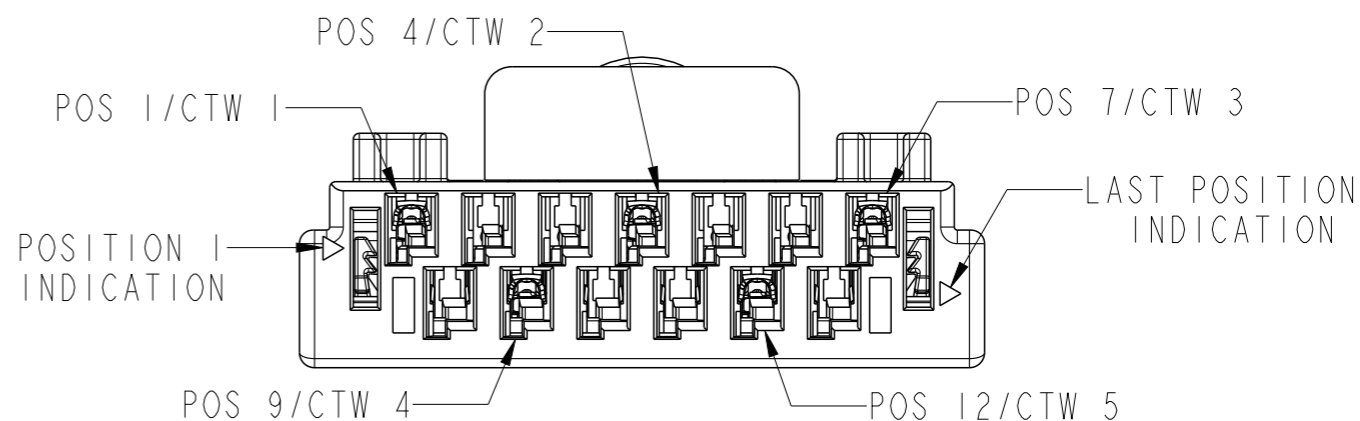
spec ref	GS-12-1821	dr	Huang, Yin-Chi	2023/01/27	projection	mm	size	A3	scale	6:1				
tolerance std	ISO 406 ISO 1101	eng	Moisan, Gwenda	2023/03/16			ecn no	rel level	Released	rev				
TOLERANCES UNLESS OTHERWISE SPECIFIED		chr	Huang, Yin-Chi	2023/03/16							product family	-		
surface	linear	0.X	$\pm 0.3$		RECEPTACLE ASSY HIGH VOLTAGE	dwg no	10170389	-	-	A				
		0.XX	$\pm 0.10$								cat. no.	-	Product - Customer Drw	sheet 2 of 5
	angular	0°	$\pm 2^\circ$											
ISO 1302														

# 400V CTW INSERT POSITION

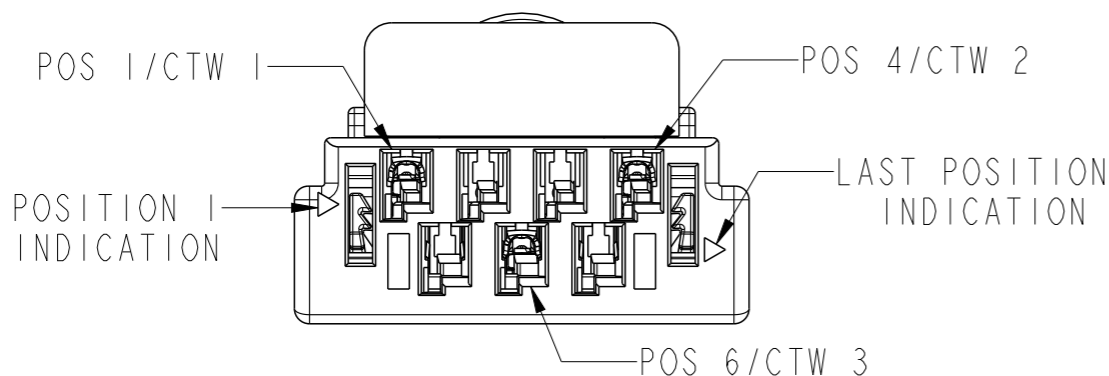
PART NO.	AVAILABILITY	NO. OF POSN	DIM "A"
10170389-204LF	ON DEMAND	04	7.66
10170389-207LF	ON DEMAND	07	11.47
10170389-210LF	TOOLED	10	15.28
10170389-213LF	ON DEMAND	13	19.09
10170389-216LF	ON DEMAND	16	22.90



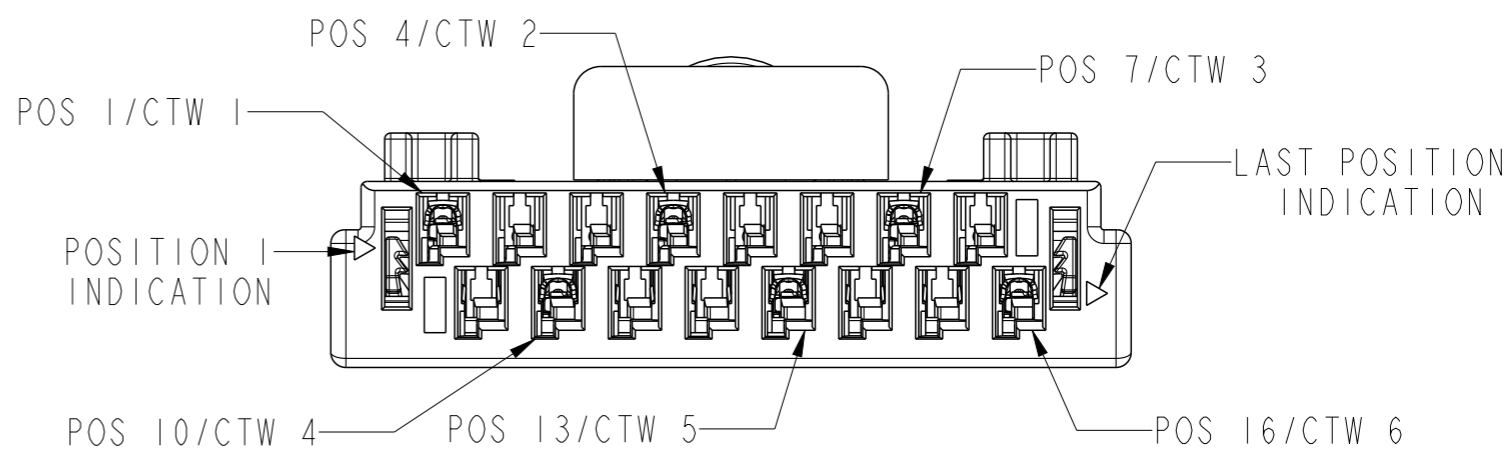
POSITION NUMBER INDICATION FOR 4POS VERSION  
10170389-204LF(400V)



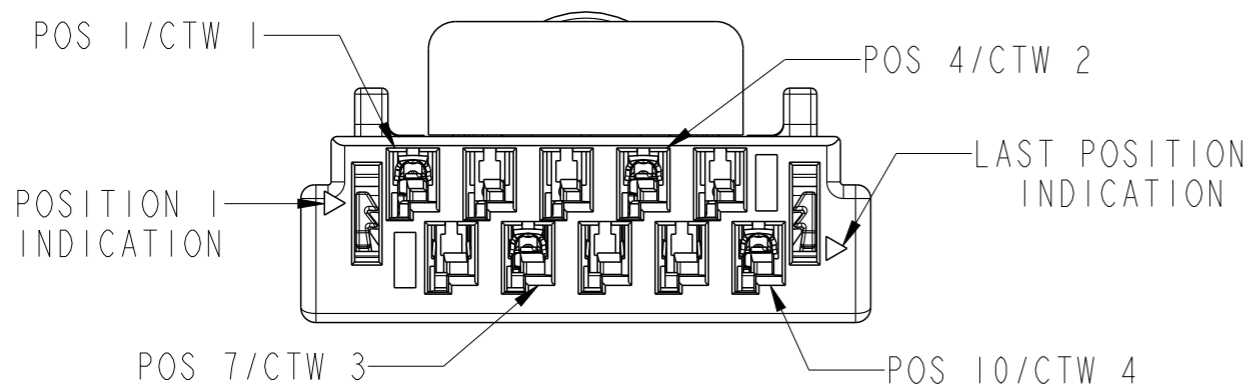
POSITION NUMBER INDICATION FOR 13POS VERSION  
10170389-213LF(400V)



POSITION NUMBER INDICATION FOR 7POS VERSION  
10170389-207LF(400V)



POSITION NUMBER INDICATION FOR 16POS VERSION  
10170389-216LF(400V)

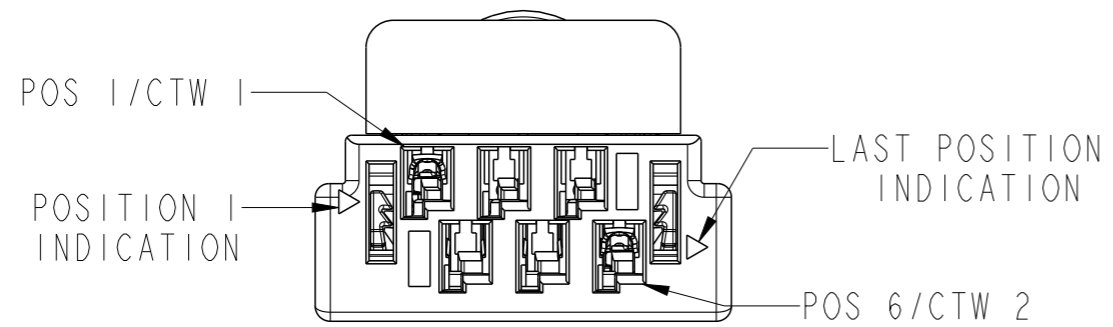


POSITION NUMBER INDICATION FOR 10POS VERSION  
10170389-210LF(400V)

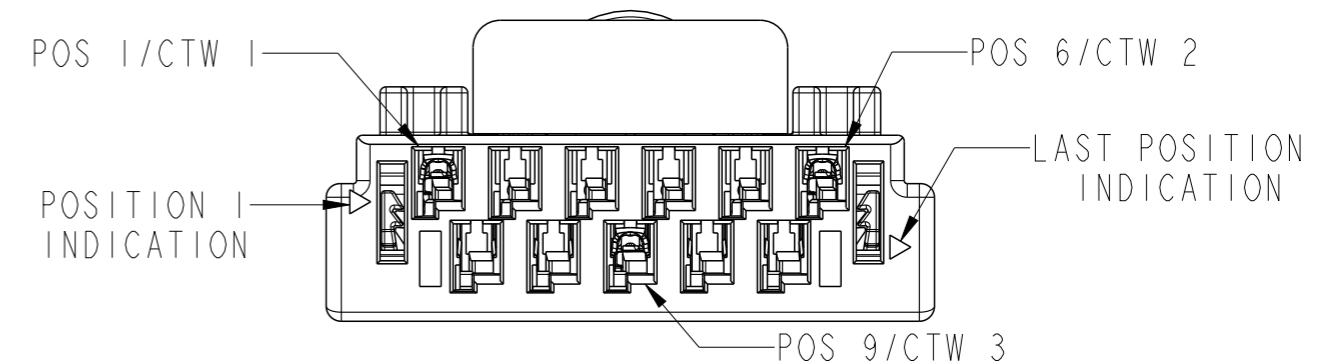
spec ref	GS-12-1821	dr	Huang, Yin-Chi	2023/01/27	projection	mm	size	A3	scale	4:1
tolerance std	ISO 406 ISO 1101	eng	Moisan, Gwenda	2023/03/16			ecn no		rel level	
TOLERANCES UNLESS OTHERWISE SPECIFIED		chr	Huang, Yin-Chi	2023/03/16			-		Released	
surface	linear	appr	Valliere, Jérôme	2023/03/16	product family	-	-		dwg no	10170389
	angular			RECEPTACLE ASSY HIGH VOLTAGE		-		rev	A	
		amphenol-icc.com		MINITEK μSPACE STAGGERED TOP LATCH		-		Product - Customer Drw		sheet 3 of 5

# 800V CTW INSERT POSITION

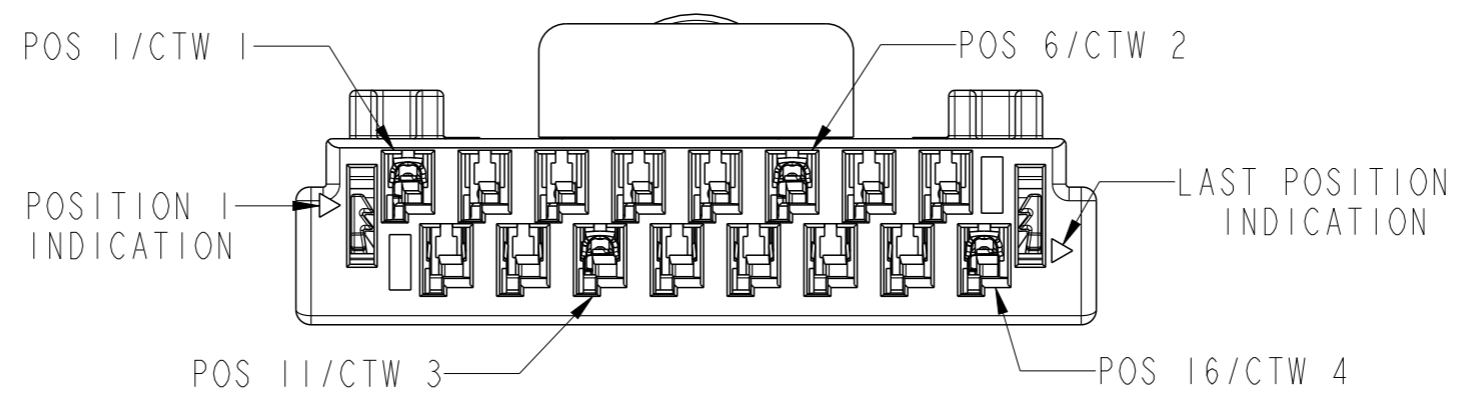
PART NO.	AVAILABILITY	NO. OF POSN	DIM "A"
10170389-206LF	ON DEMAND	06	10.20
10170389-211LF	TOOLED	11	16.55
10170389-216LF	ON DEMAND	16	22.90



POSITION NUMBER INDICATION FOR 6POS VERSION  
10170389-206LF(800V)



POSITION NUMBER INDICATION FOR 11POS VERSION  
10170389-211LF(800V)



POSITION NUMBER INDICATION FOR 16POS VERSION  
10170389-216LF(800V)

Amphenol FCI

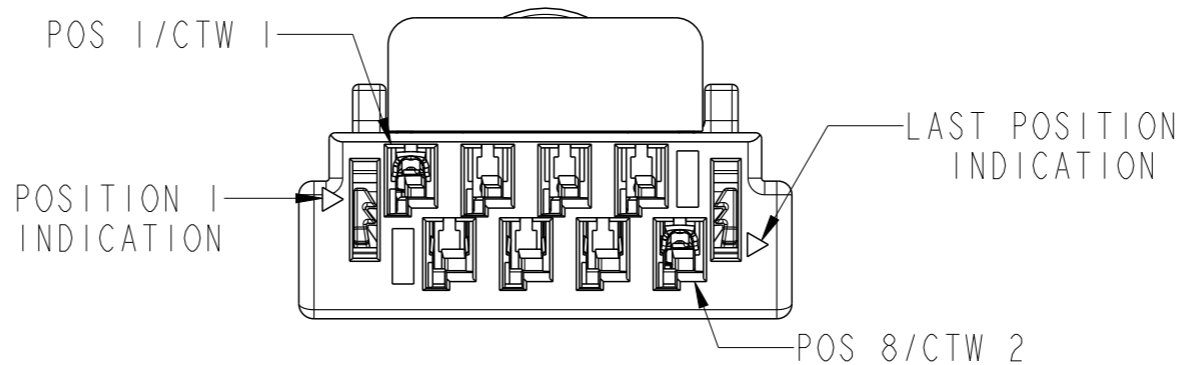
© 2020 Amphenol Corporation

spec ref	GS-12-1821	dr	Huang, Yin-Chi	2023/01/27	projection	mm	size	A3	scale	4:1
tolerance std	ISO 406 ISO 1101	eng	Moisan, Gwenda	2023/03/16			ecn no		rel level	
TOLERANCES UNLESS OTHERWISE SPECIFIED		chr	Huang, Yin-Chi	2023/03/16			-		Released	
surface	linear	appr	Vallière, Jérôme	2023/03/16	product family	-	-		dwg no	10170389
	angular			RECEPTACLE ASSY HIGH VOLTAGE MINITEK μSPACE STAGGERED TOP LATCH		rev A		cat. no. - Product - Customer Drw		sheet 4 of 5
ISO 1302	0.X ±0.3 0.XX ±0.10 0.XXX ±0.005	amphenol-icc.com		-		-		-		Printed: Mar 17, 2023

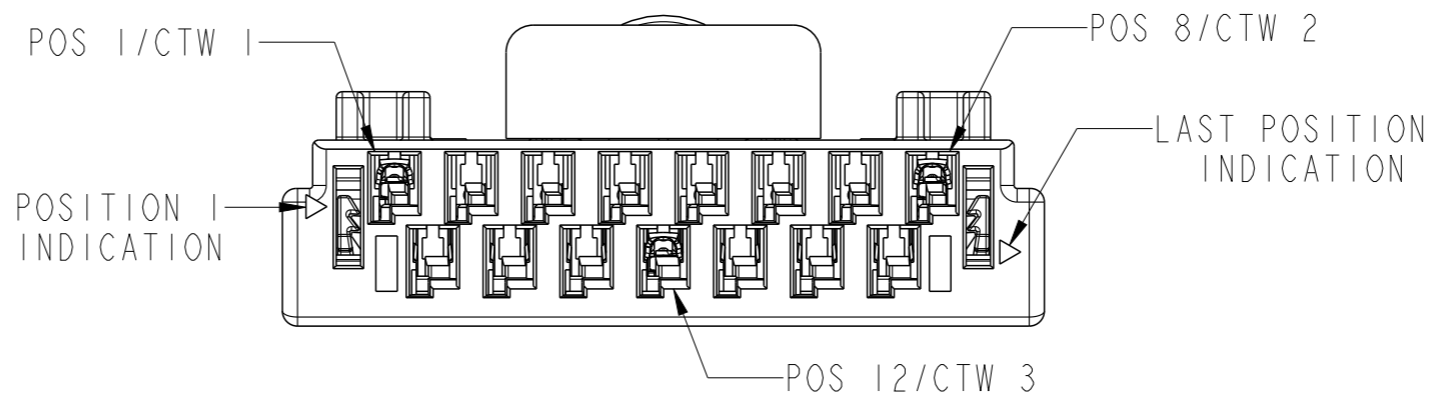
Creo File:ELX-WC-A3C.REV F.2020-12-21

# 1200V CTW INSERT POSITION

PART NO.	AVAILABILITY	NO. OF POSN	DIM "A"
10170389-208LF	TOOLED	08	12.74
10170389-215LF	ON DEMAND	15	21.63



POSITION NUMBER INDICATION FOR 8POS VERSION  
10170389-208LF(1200V)



POSITION NUMBER INDICATION FOR 15POS VERSION  
10170389-215LF(1200V)

spec ref	GS-12-1821	dr	Huang, Yin-Chi	2023/01/27	projection	mm	size	A3	scale	2:1
tolerance std	ISO 406 ISO 1101	eng	Moisan, Gwenda	2023/03/16			ecn no		rel level	
TOLERANCES UNLESS OTHERWISE SPECIFIED		chr	Huang, Yin-Chi	2023/03/16			-		Released	
surface	linear	0.X	±0.3	appr	Vallière, Jérôme	2023/03/16	product family	-		rev
		0.XX	±0.10	<b>Amphenol FCI</b> RECEPTACLE ASSY HIGH VOLTAGE MINITEK μSPACE STAGGERED TOP LATCH		dwg no		10170389		A
	angular	0°	±2°			cat. no.		-		Product - Customer Drw
ISO 1302				amphenol-icc.com						