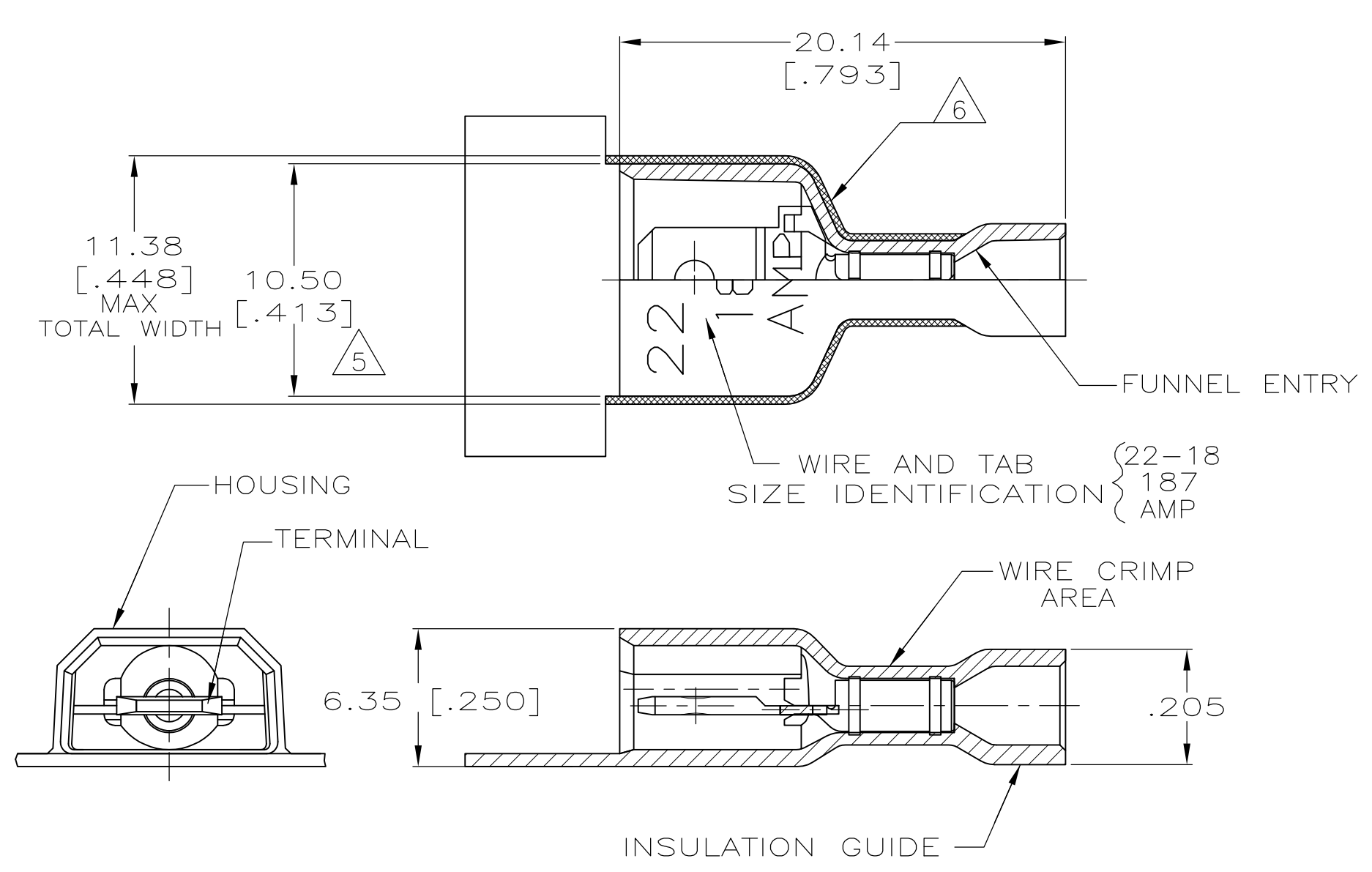


THIS DRAWING IS UNPUBLISHED. RELEASED FOR PUBLICATION  
 © COPYRIGHT - By - ALL RIGHTS RESERVED.

LOC	DIST	REVISIONS			
P	LTR	DESCRIPTION	DATE	DWN	APVD
AF	50	F	REVISED PER ECR-13-004343	30JUL13	KH KR



- 1 TAB DIMENSIONS .032<sup>+0.001</sup> x .187
- 2 WIRE STRIP LENGTH .281
- 3 INSULATION SIZE .135 MAX DIA
- 4 CONTINUOUS STRIP ON REELS
- △5 DIMENSION DOES NOT INCLUDE TRIM BURR
- △6 .015 MAX CARRIER TRIM BURR PER SIDE IS ALLOWABLE IN THE SHADED AREA

HOUSING: NYLON, COLOR-RED TRANSLUCENT TAB: BRASS, TIN	2-521104-2
MATERIAL & FINISH	PART NO

THIS DRAWING IS A CONTROLLED DOCUMENT.		DWN	JR RUTH	9/25/95	 TE Connectivity	NAME TAB ASSEMBLY, ULTRA-FAST, 4.75 [.187] SERIES, 22-18 AWG
DIMENSIONS: mm [INCHES]		CHK	MS FEHER	9/25/95		
TOLERANCES UNLESS OTHERWISE SPECIFIED:		APVD	J WORMAN	9/25/95		
0 PLC ± - 1 PLC ± - 2 PLC ± 0.38 [.015] 3 PLC ± - 4 PLC ± - ANGLES ± -		PRODUCT SPEC	108-2017			
MATERIAL	SEE TABLE	FINISH	SEE TABLE	APPLICATION SPEC	114-2123	RESTRICTED TO
CUSTOMER DRAWING		WEIGHT	-		SIZE	A3
SCALE		4:1		CAGE CODE	00779	DRAWING NO
SHEET		1 OF 1		C=521104		REV
						F