

CIRCUIT 1
INDICATOR MARK

TRADE MARK

CAV & MOLD No.

MXL 1A

CIRCUIT N

1.2
(PITCH)

B

D

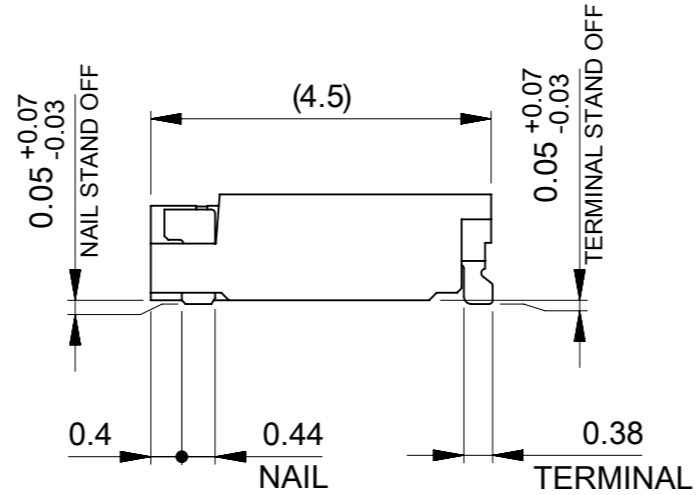
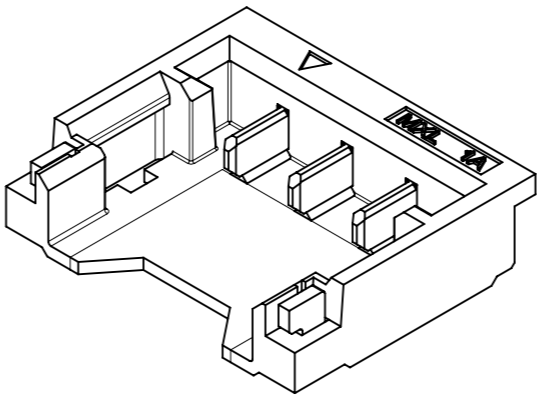
C

A

1.4

0.2
NAIL

0.2
TERMINAL



NOTES

- 1. 材料及び仕上げ(めっき仕様) : TABLE 1 参照
MATERIAL AND FINISHES : SEE TABLE 1
- 2. 梱包形態 : SHEET 3 参照
PACKAGING INFORMATION : SEE SHEET 3
- 3. 嵌合相手 : 78172 シリーズ
MATES WITH:78172 SERIES
- 4. 製品仕様書 : 781720000-PS PS 000
PRODUCT SPECIFICATION:781720000-PS PS 000
- 5. アプリケーション仕様書(コネクタ取扱い説明書) : AS-78172-001
APPLICATION SPECIFICATION(CONNECTOR MANUAL):AS-78172-001
- 6. 端子テール部及びネイルの平坦度:0.1 MAX.
平らなゲージ面にコネクタを配置してから測定する。
TAIL AND NAIL COPLANARITY TO BE 0.1 MAX. TO BE MEASURED BY PLACING THE CONNECTOR ON FLAT GAUGE SURFACE.
- 7. ELV及びRoHS適合品。
ELV & RoHS COMPLIANT.

TABLE 1

番号 No.	部品 PART	仕様 SPECIFICATION	
1	ハウジング HOUSING	液晶ポリマー(LCP), ガラス充填, UL94 V-0, 色 : 黒 LIQUID CRYSTAL POLYMER (LCP), GLASS FILLED, UL94 V-0, COLOR:BLACK	
2	ターミナル TERMINAL	材料 MATERIAL	黄銅 BRASS
		下地めっき UNDER PLATING	ニッケルめっき:1.0 micro-meter MIN NICKEL: 1.0 micro-meter MIN
		接点部めっき CONTACT PLATING	金めっき 0.1 micro-meter MIN GOLD 0.1 micro-meter MIN
3	ネイル NAIL	材料 MATERIAL	黄銅 BRASS
		下地めっき UNDER PALATING	ニッケルめっき:1.0 micro-meter MIN NICKEL: 1.0 micro-meter MIN
		表面めっき SURFACE PLATING	錫めっき 1.5 micro-meters MIN MATTE TIN PLATING 1.5 micro-meters MIN

5.1	6.2	4.8	7.8	781710005	5
3.9	5.0	3.6	6.6	781710004	4
2.7	3.8	2.4	5.4	781710003	3
1.5	2.6	1.2	4.2	781710002	2
D	C	B	A	発注番号 ORDER No	極数 CIRCUIT SIZE

THIS DRAWING CONTAINS INFORMATION THAT IS PROPRIETARY TO MOLEX ELECTRONIC TECHNOLOGIES, LLC AND SHOULD NOT BE USED WITHOUT WRITTEN PERMISSION

DIMENSION UNITS: mm SCALE: NTS

CURRENT REV DESC: REDRAWN

molex

PICO-EZMATE 1.2 WIRE TO BOARD CONNECTOR
2-5 CKT PLUG ASSEMBLY

GENERAL TOLERANCES (UNLESS SPECIFIED)

ANGULAR TOL ± 3.0°

4 PLACES ± 0.2
3 PLACES ± 0.2
2 PLACES ± 0.2
1 PLACE ± 0.2
0 PLACES ± 0.2

EC NO: 677110
DRWN: SNAKAMURA08 2018/06/15
CHK'D: SAKIYAMA 2022/06/06
APPR: AIDA 2022/06/07

INITIAL REVISION:
DRWN: SNAKAMURA08 2018/06/15
APPR: AIDA 2022/06/07

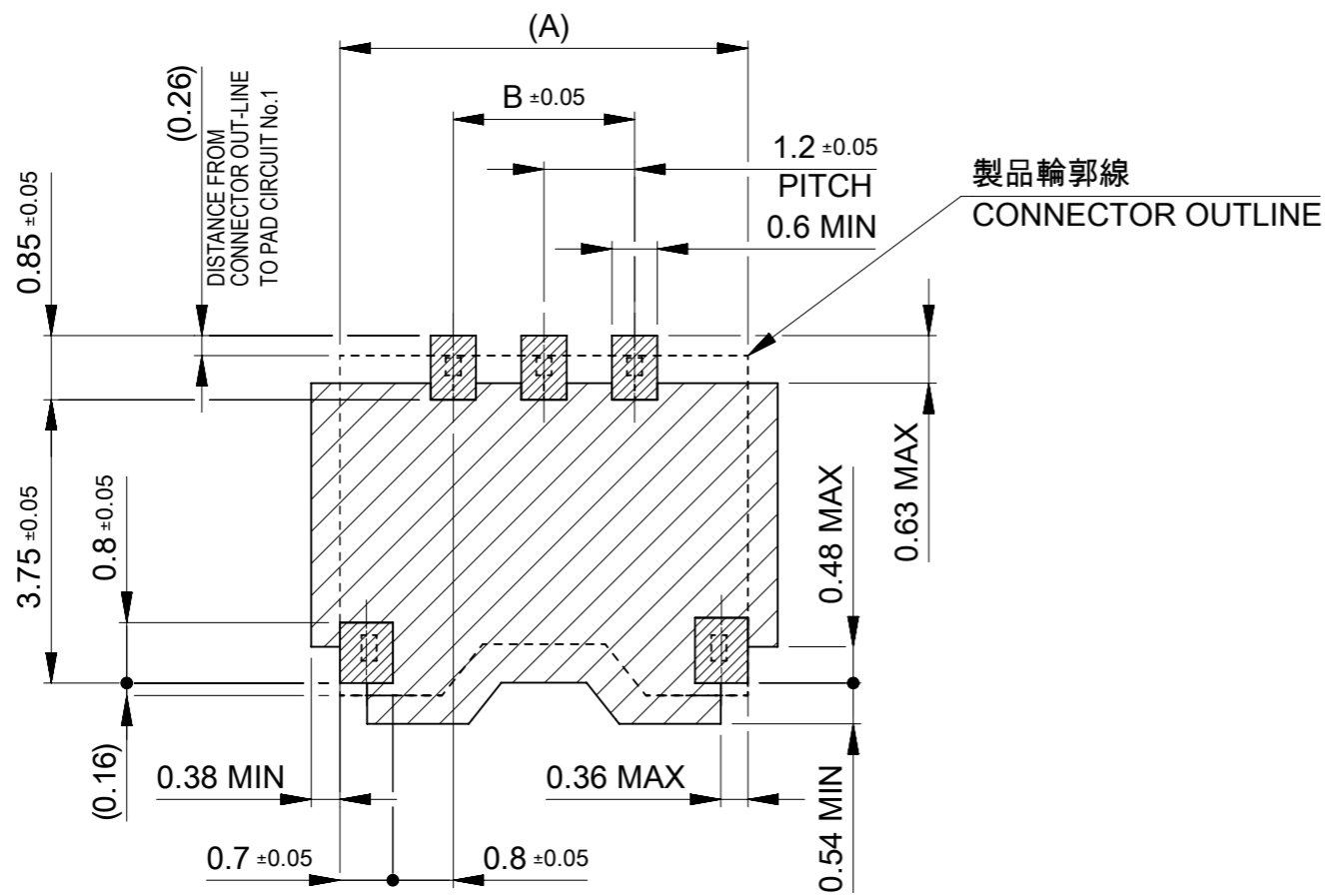
PRODUCT CUSTOMER DRAWING

DOCUMENT NUMBER: 781710000-SD
DOC TYPE: PSD
DOC PART: 000
REVISION: A

DRAFT WHERE APPLICABLE MUST REMAIN WITHIN DIMENSIONS

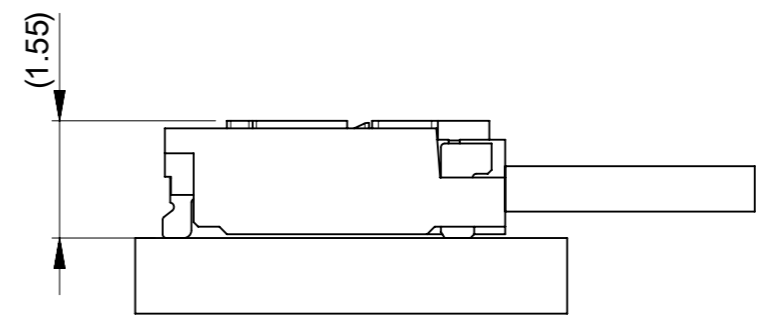
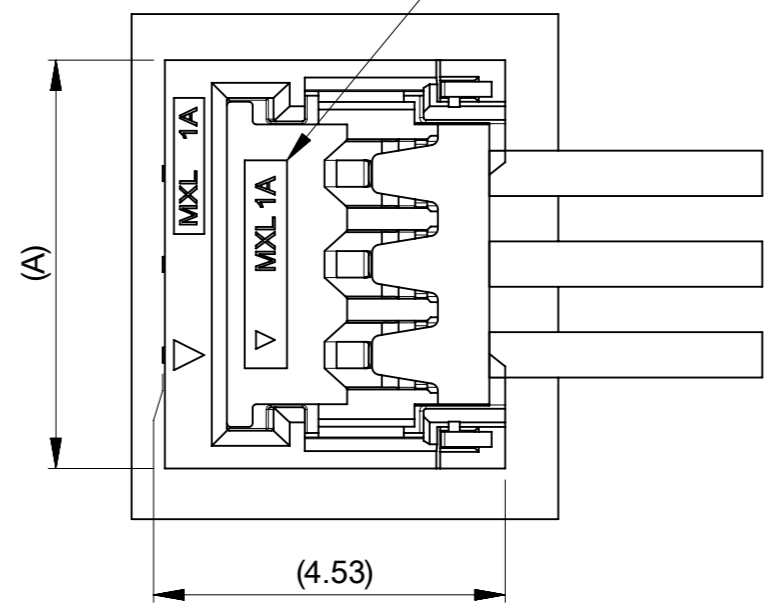
THIRD ANGLE PROJECTION

DRAWING: A3-SIZE
SERIES: 78171
MATERIAL NUMBER: SEE CHART
CUSTOMER: GENERAL
SHEET NUMBER: 1 OF 3



製品輪郭線
CONNECTOR OUTLINE

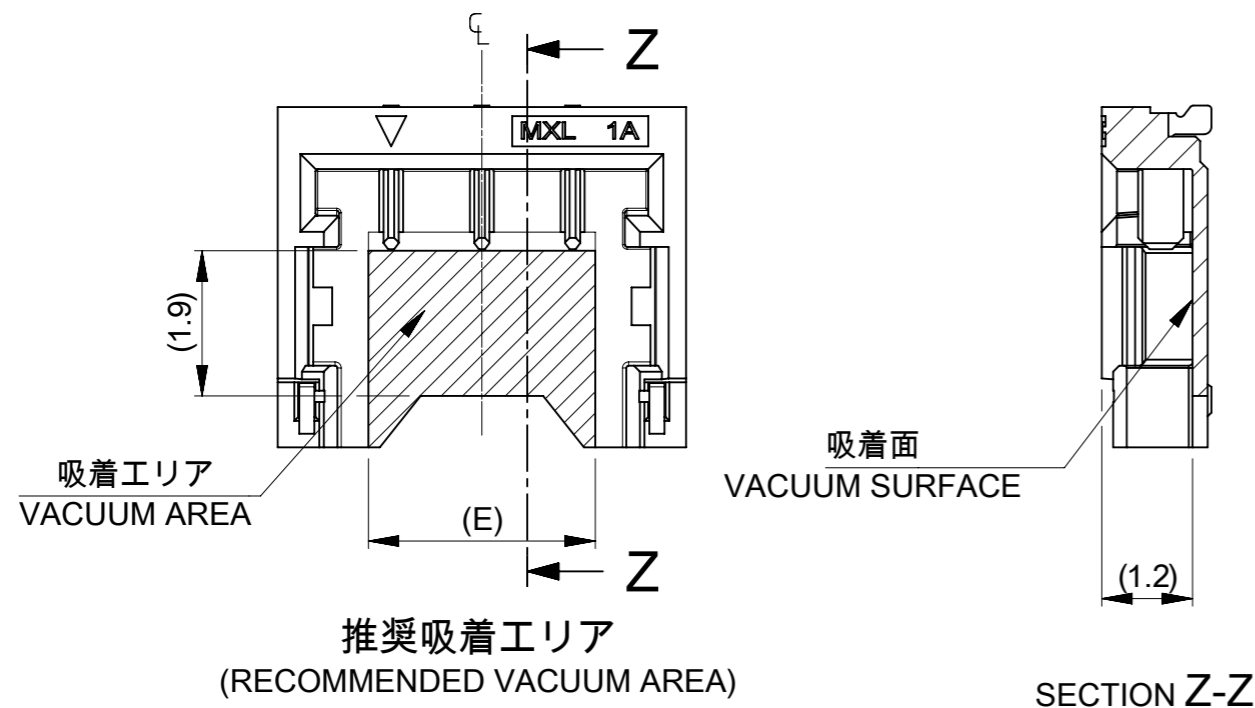
3 嵌合相手 : 78172シリーズ
MATE WITH : 78172 SERIES



嵌合図
MATED CONNECTORS

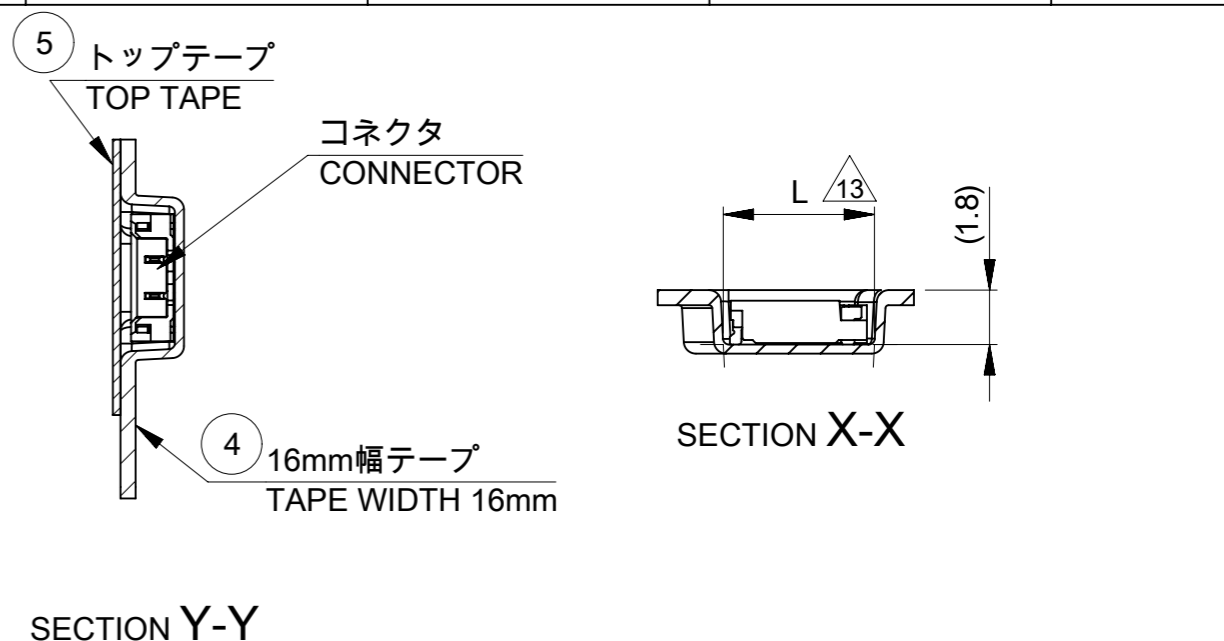
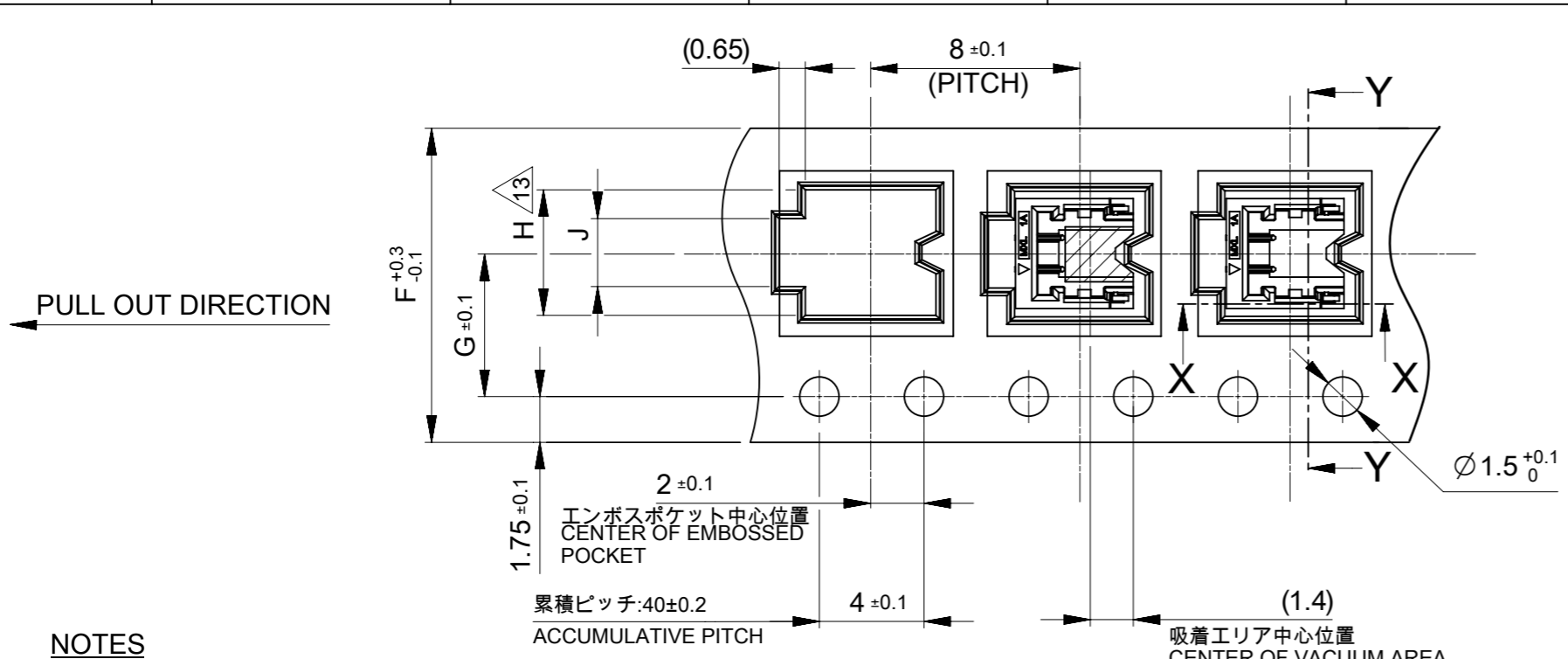
推奨基板レイアウト : 実装面側
(参考 : 基板厚1.0mm、メタルマスク厚さ 0.1mm、マスク開口100%)
RECOMMENDED PCB LAYOUT : COMPONENT SIDE
(REFERENCE:PCB THICKNESS 1.0mm,STENCIL THICKNESS 0.1mm APERTURE RATIO 100%)

パターン非推奨エリア
パターンを引き回す際は、製品機能に影響がないことをご確認ください。
PATTERN IS NOT RECOMMENDED ON THE HATCHED AREA.
PLEASE CHECK NOT TO HAVE PROBLEM FOR PRODUCT FUNCTION WHEN SETTING PATTERN ON THE HATCHED AREA.



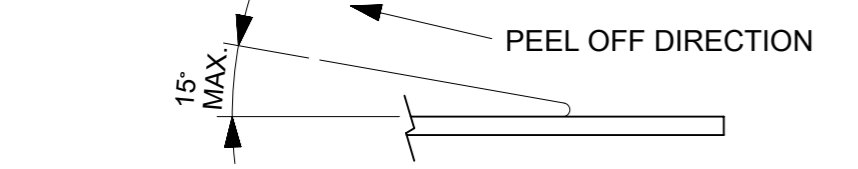
5.1	5
3.9	4
2.7	3
1.5	2
E	極数 CIRCUIT SIZE

THIS DRAWING CONTAINS INFORMATION THAT IS PROPRIETARY TO MOLEX ELECTRONIC TECHNOLOGIES, LLC AND SHOULD NOT BE USED WITHOUT WRITTEN PERMISSION		CURRENT REV DESC: REDRAWN		molex	
DIMENSION UNITS	SCALE				
mm	NTS			PRODUCT CUSTOMER DRAWING	
GENERAL TOLERANCES (UNLESS SPECIFIED)		EC NO: 677110		DOCUMENT NUMBER	
ANGULAR TOL ± 3.0°		DRWN: SNAKAMURA08 2018/06/15		781710000-SD	
4 PLACES ± 0.2		CHK'D: SAKIYAMA 2022/06/06		DOC TYPE DOC PART REVISION	
3 PLACES ± 0.2		APPR: AIDA 2022/06/07		PSD 000 A	
2 PLACES ± 0.2		INITIAL REVISION:		MATERIAL NUMBER	
1 PLACE ± 0.2		DRWN: SNAKAMURA08 2018/06/15		CUSTOMER	
0 PLACES ± 0.2		APPR: AIDA 2022/06/07		GENERAL	
DRAFT WHERE APPLICABLE MUST REMAIN WITHIN DIMENSIONS		THIRD ANGLE PROJECTION	DRAWING	SERIES	SHEET NUMBER
			A3-SIZE	78171	2 OF 3

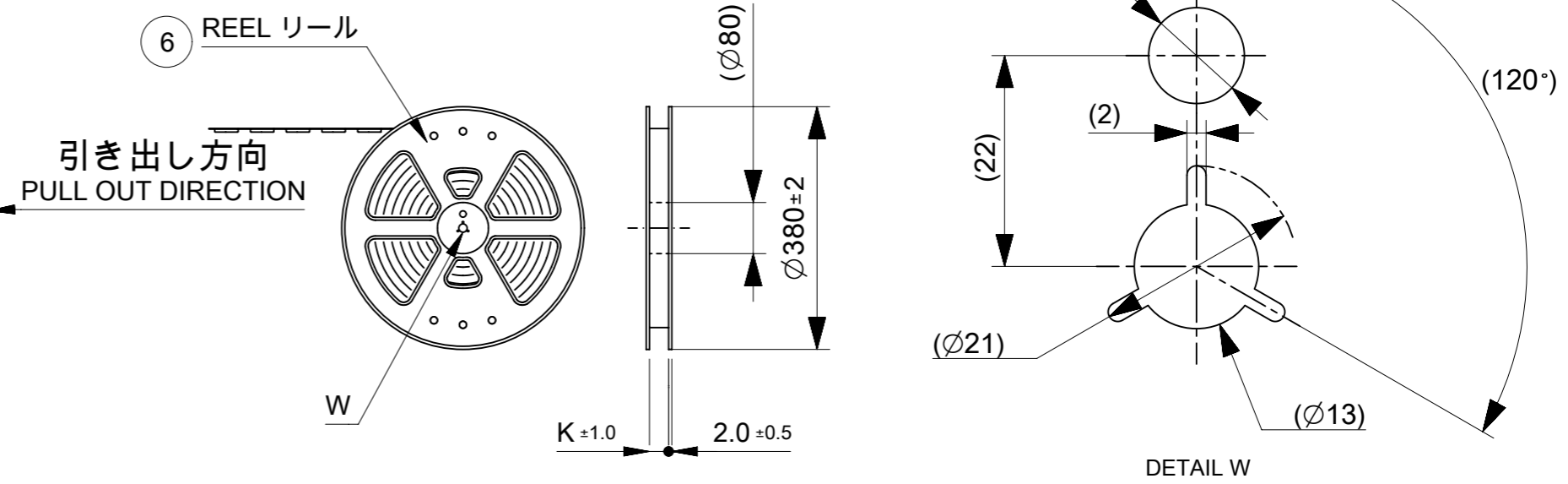


NOTES

- 8. 梱包数量 : 4500個/リール
NUMBER OF CONNECTORS : 4500 PIECES/REEL
- 9. リードテープ長さ
LEAD TAPE LENGTH
- 10. エンボステープおよびリールはEIA-481に準拠。
TAPE AND REEL IS DEFINED BY EIA-481.
- 11. トップテープの剥離強度 : 20gf - 80gf
TOP TAPE PEELING FORCE: 20gf - 80gf
- 12. 梱包仕様書: SPK-78171-001
PACKAGING SPECIFICATION: SPK-78171-001



- 13. H & Lはポケットの底面から0.3 mmの平面で測定する。
H & L ARE MEASURED ON A PLANE 0.3 mm ABOVE THE BOTTOM OF THE POCKET.



5	17.4	6.2	8.3	7.5	16	5
		5.0	7.1			4
		3.8	5.9			3
		2.6	4.7			2
L	K	J	H	コネクタ中心位置G CENTER OF CONNECTOR	エンボステープ幅F WIDTH OF TAPE	極数 CIRCUIT SIZE

番号 NO.	部品 PART	材質 MATERIAL
4	エンボステープ EMBOSSSED TAPE	ポリプロピレン(PP)、色: クリア POLYPROPYLENE(PP), COLOR: CLEAR
5	トップテープ TOP TAPE	ポリエチレン(PE)、その他 POLYETHYLENE(PE), etc
6	リール REEL	ポリスチレン(PS)、色 : 黒 <リサイクル材を含む> POLYSTYRENE(PS), COLOR: BLACK <RECYCLE MATERIAL CONTAINED>

THIS DRAWING CONTAINS INFORMATION THAT IS PROPRIETARY TO MOLEX ELECTRONIC TECHNOLOGIES, LLC AND SHOULD NOT BE USED WITHOUT WRITTEN PERMISSION

DIMENSION UNITS: mm SCALE: NTS CURRENT REV DESC: REDRAWN

molex

PICO-EZMATE 1.2 WIRE TO BOARD CONNECTOR
2-5 CKT PLUG ASSEMBLY

GENERAL TOLERANCES (UNLESS SPECIFIED)
ANGULAR TOL ± 3.0°

4 PLACES ± 0.2
3 PLACES ± 0.2
2 PLACES ± 0.2
1 PLACE ± 0.2
0 PLACES ± 0.2

EC NO: 677110
DRWN: SNAKAMURA08 2018/06/15
CHK'D: SAKIYAMA 2022/06/06
APPR: AIDA 2022/06/07

INITIAL REVISION:
DRWN: SNAKAMURA08 2018/06/15
APPR: AIDA 2022/06/07

PRODUCT CUSTOMER DRAWING

DOCUMENT NUMBER: 781710000-SD
DOC TYPE: PSD
DOC PART: 000
REVISION: A

DRAFT WHERE APPLICABLE MUST REMAIN WITHIN DIMENSIONS

THIRD ANGLE PROJECTION

DRAWING: A3-SIZE
SERIES: 78171
MATERIAL NUMBER: SEE CHART
CUSTOMER: GENERAL
SHEET NUMBER: 3 OF 3