

4

3

2

1

D

D

C

C

B

B

A

A

800 SERIES

8 XX

POSITIONS

- 08
- 14
- 16
- 18
- 20
- 22
- 24 (.600 t)
- 28
- 32
- 36
- 40
- 42
- 48
- 64

24 (.300 t)

24 (.400 t)

AX

AG = INSULATOR W/OUT RAILS

AR = Insulator with Rails

XXX

X

ESX

ES CONTACT - 30 MICRO GOLD 4 BEAM STAMPED

ESL CONTACT - 10 MICRO GOLD 4 BEAM STAMPED

SM= SURFACE MOUNT

LSG STYLE & TAIL CONFIGURATION

10 = gold/gold

11 = gold/tin-lead

12 = tin-lead/tin-lead

1 OBSOLETE PARTS: OBSOLETE CIS STREAMLINING PER D.RENAUD/D.SINISI
 1437538-9,2-1437537-8,4-1437537-5,4-1437537-9,7-1437537-1
 8-1437537-4



TOLERANCES (EXCEPT AS NOTED)
 ANGULAR = ±1/2°
 DECIMAL .XX = ±.01
 DECIMAL .XXX = ±.002
 DECIMAL .XXXX = ±.0005

UNLESS OTHERWISE SPECIFIED DIMENSIONS ARE IN INCHES DO NOT SCALE PRINT

FILE NAME: BSMSERS1 DIRECTORY: PNCODEAS

MATERIAL: NONE

FINISH: NONE

ORIGINAL DATE OF DRAWING: 8-31-87

DRAWN: J.P.PACHECO DATE: 8-31-87

CHECKED: DATE:

APPROVED: A.J.C. DATE: 6-2-92

CODE IDENT. NO. 91506 DWG. SIZE B

NEXT ASSY:

TYCO ELECTRONICS

TITLE:
 ASSEMBLY, SOCKET SURFACE MOUNT

DWG. NO. 8-1437533-1 REV. 01

PRODUCT CODE: 25/157 SCALE: NONE SHEET 1 OF 3

4

3

2

1

(AG) INSULATORS (NO RAILS)

SEE SHEET #6

POS.	INSULATOR ITEM 1	QTY.	FIGURE	DIM. "A"	DIM. "B"	DIM. "C"	TUBE #	TUBE QTY.	QTY OF
									CONTACT ASS'Y .125 P.C. TAIL PAGE 6 ITEM 2
8		1	1	.400 MAX	.400 MAX	.295/.305			
14		1	2	.700 MAX	.400 MAX	.295/.305			
16		1	2	.800 MAX	.400 MAX	.295/.305			
18		1	2	.900 MAX	.400 MAX	.295/.305			
20		1	2	1.000 MAX	.400 MAX	.295/.305			
22		1	2	1.100 MAX	.500 MAX	.395/.405			
24		1	2	1.200 MAX	.700 MAX	.595/.605			
24		1	2	1.200 MAX	.500 MAX	.395/.405			
24		1	2	1.200 MAX	.400 MAX	.295/.305			
28		1	3	1.400 MAX	.700 MAX	.595/.605			
32		1	3	1.600 MAX	.700 MAX	.595/.605			
36		1	3	1.800 MAX	.700 MAX	.595/.605			
40		1	3	2.000 MAX	.700 MAX	.595/.605			
42		1	3	2.100 MAX	.700 MAX	.595/.605			
48		1	3	2.400 MAX	.700 MAX	.595/.605			
64		1	3	3.200 MAX	1.000 MAX	.895/.905			

D

D

C

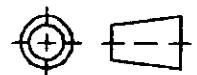
C

B

B

A

A

REV	SEE SHEET #1	 THIRD ANGLE PROJECTION	UNLESS OTHERWISE SPECIFIED DIMENSIONS ARE IN INCHES DO NOT SCALE PRINT		ORIGINAL DATE OF DRAWING: 8-31-87		TYCO ELECTRONICS		
			TOLERANCES (EXCEPT AS NOTED) ANGULAR = ±1/2° DECIMAL .XX = ±.01 DECIMAL .XXX = ±.002 DECIMAL .XXXX = ±.0005	FILE NAME: 8SMERS8S	DIRECTORY: PNCODEAS	DRAWN: J.P. PACHECO			DATE: 8-31-87
			FINISH: NONE	MATERIAL: NONE		CHECKED:	DATE:	DWG. NO.	REV.
						APPROVED: A.J.C.	DATE: 6-2-92	8-1437533-1	
REVISIONS				CODE IDENT. NO. 91506	DWG. SIZE B	PRODUCT CODE: 25/157		SCALE: NONE	SHEET 2 OF 3
				NEXT ASSY:		CUSTOMER 1			

4

3

2

CUSTOMER 1

4

3

2

1

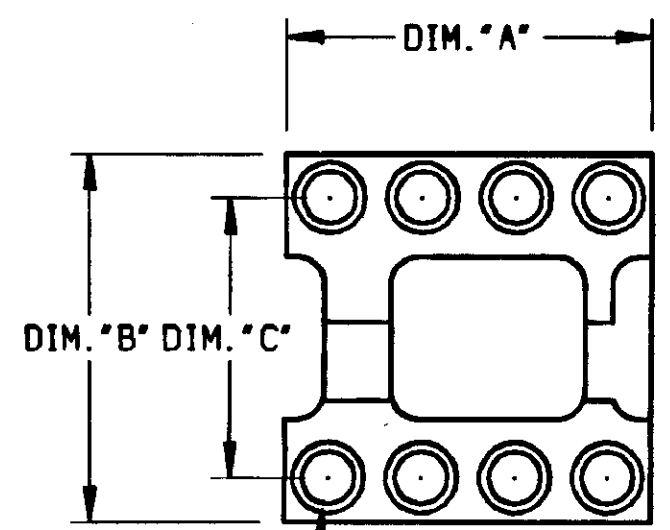


FIG. 1

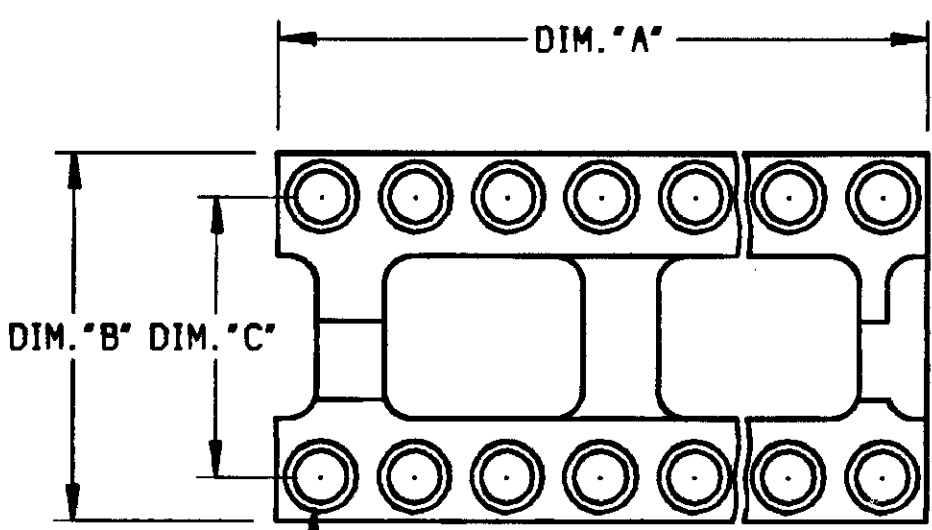


FIG. 2

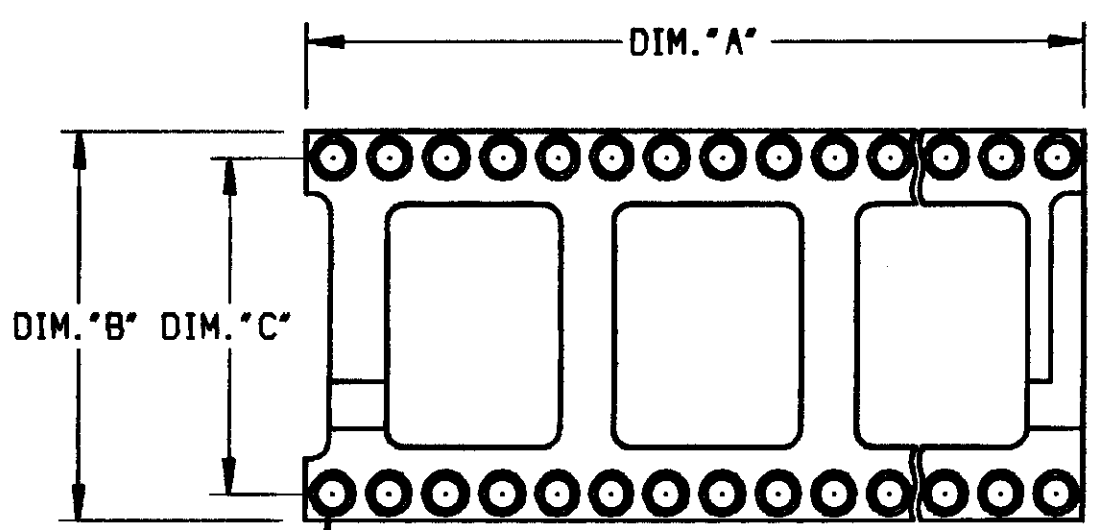
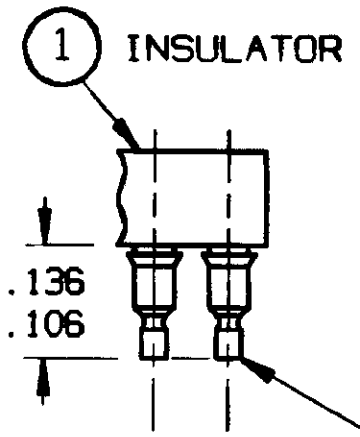


FIG. 3



1 INSULATOR

2 CONTACT ASS'Y

"X" SURFACES =
QTY. OF CONTACT ASS'Y.
VIEW D-D

ITEMS:

MATERIAL & FINISH:

- 1. INSULATOR - THERMOPLASTIC POLYESTER (BLACK) P E T
RATED 94V-0. (SEE FIGURE COLUMN ABOVE).

REV	SEE SHEET #1	<p>THIRD ANGLE PROJECTION</p>	UNLESS OTHERWISE SPECIFIED DIMENSIONS ARE IN INCHES DO NOT SCALE PRINT		ORIGINAL DATE OF DRAWING: 8-31-87		TYCO ELECTRONICS		
			TOLERANCES (EXCEPT AS NOTED) ANGULAR = ±1/2° DECIMAL .XX = ±.01 DECIMAL .XXX = ±.002 DECIMAL .XXXX = ±.0005	FILE NAME: 8SMSRS6	DIRECTORY: PNCODEAS	DRAWN: J.P. PACHECO			DATE: 8-31-87
			FINISH: NONE	MATERIAL: NONE		CHECKED:	DATE:	DWG. NO. 8-1437533-1	REV. 01
				APPROVED: A.J.C.		DATE: 6-2-92	CODE IDENT. NO. 91506	DWG. SIZE B	PRODUCT CODE: 25/157
REVISIONS					NEXT ASSY:	CUSTOMER 1			

4

3

2

CUSTOMER 1