

2232327-2 ✓ ACTIVE

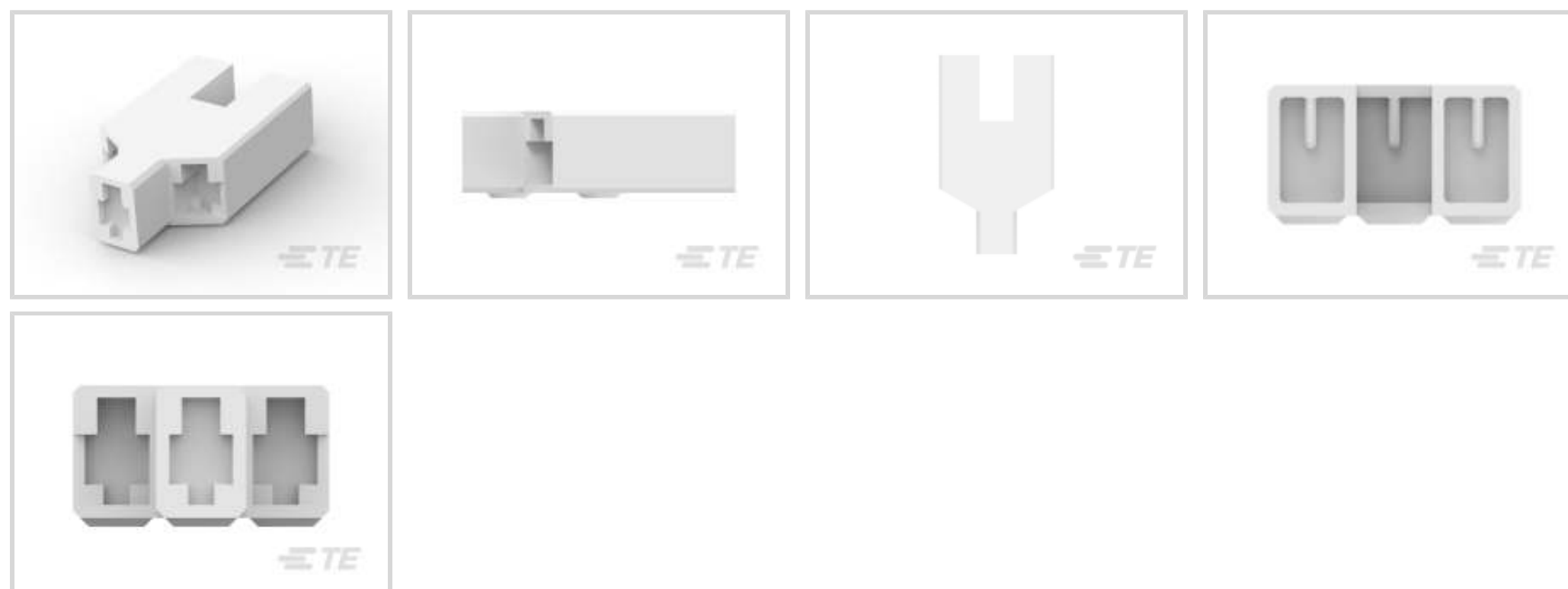
TE Internal #: 2232327-2

Cluster Blocks, 3 Circuits, PA6 GF, 22 – 10 AWG Wire Size, .326 – 5.26 mm² Wire Size, -4 – 248 °F [-20 – 120 °C]

[View on TE.com >](#)



Terminals & Splices > Terminal Housings, Insulation Sleeves & Blocks > Cluster Blocks



Number of Circuits: 3

Primary Product Material: PA6 GF

Wire Size: .326 – 5.26 mm²

Operating Temperature Range: -20 – 120 °C [-4 – 248 °F]

Features

Product Type Features

Compatible With Discrete Wire Type

Lead Wire

Configuration Features

Number of Circuits

3

Body Features

Primary Product Color

Natural

Primary Product Material

PA6 GF

Contact Features

Mating Pin Diameter

2.29 mm[.09 in]

Dimensions

Product Length

30.5 mm[1.2 in]

Wire Size

.326 – 5.26 mm²

Usage Conditions

Operating Temperature Range

-20 – 120 °C[-4 – 248 °F]

Industry Standards

UL Flammability Rating

UL 94V-0



Packaging Features

Packaging Quantity	500
Packaging Method	Bag

Product Compliance

[For compliance documentation, visit the product page on TE.com>](#)

EU RoHS Directive 2011/65/EU	Compliant
EU ELV Directive 2000/53/EC	Compliant
China RoHS 2 Directive MIIT Order No 32, 2016	No Restricted Materials Above Threshold
EU REACH Regulation (EC) No. 1907/2006	Current ECHA Candidate List: JUNE 2023 (235) Candidate List Declared Against: JAN 2023 (233) Does not contain REACH SVHC
Halogen Content	Not Low Halogen - contains Br or Cl > 900 ppm.
Solder Process Capability	Not reviewed for solder process capability

Product Compliance Disclaimer

This information is provided based on reasonable inquiry of our suppliers and represents our current actual knowledge based on the information they provided. This information is subject to change. The part numbers that TE has identified as EU RoHS compliant have a maximum concentration of 0.1% by weight in homogenous materials for lead, hexavalent chromium, mercury, PBB, PBDE, DBP, BBP, DEHP, DIBP, and 0.01% for cadmium, or qualify for an exemption to these limits as defined in the Annexes of Directive 2011/65/EU (RoHS2). Finished electrical and electronic equipment products will be CE marked as required by Directive 2011/65/EU. Components may not be CE marked. Additionally, the part numbers that TE has identified as EU ELV compliant have a maximum concentration of 0.1% by weight in homogenous materials for lead, hexavalent chromium, and mercury, and 0.01% for cadmium, or qualify for an exemption to these limits as defined in the Annexes of Directive 2000/53/EC (ELV). Regarding the REACH Regulation, the information TE provides on SVHC in articles for this part number is based on the latest European Chemicals Agency (ECHA) 'Guidance on requirements for substances in articles' posted at this URL: <https://echa.europa.eu/guidance-documents/guidance-on-reach>

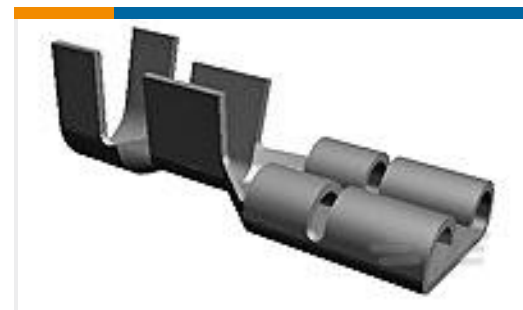
Compatible Parts

 <p>TE Part # 2825312-1 CLUSTER BLOCK HSG .090 DIA</p>	 <p>TE Part # 1217264-1 RCPT 090 CLSTR PIN 22-14</p>	 <p>TE Part # 1742964-1 2.29 DIA CLUSTER PIN AMPLV REC 1600-4800</p>	 <p>TE Part # 1742981-1 2.29 DIA CLUST PIN AMPLVR REC 400-1600</p>
---	---	--	---

Customers Also Bought



TE Part #1971784-2
PTL TAB CONTACT, 16-19 AWG, 2X22 AWG



TE Part #737440-2
250 FASTON REC 17-14 AWG TPBR



TE Part #964201-1
STD TIMER CONTACT



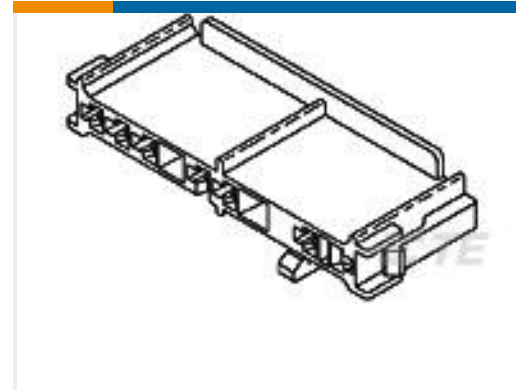
TE Part #1742198-1
250 FASTON, REC., 18-14 AWG, NPST



TE Part #1981972-1
GIC2.5W PLUG HOUSING 12POS (2-ROW) NAT



TE Part #2232901-1
AMP POWER DBL LOCK REC (L)



TE Part #521085-1
DRYER .250 HOUSING NYLON 6/6



TE Part #2825197-1
STD PW TIMER CONTACT



TE Part #3-1534798-3
AMP DUOPLUG MK2 CONNECTOR
3P SELECTIVE



TE Part #1599105-1
RECEPTACLE CLUSTER PIN .090dia

Documents

Product Drawings

[CLUSTER BLOCK HSG .090 DIA](#)

English

CAD Files

[3D PDF](#)

3D

Customer View Model

[ENG_CVM_CVM_2232327-2_C.2d_dxf.zip](#)

English

Customer View Model

[ENG_CVM_CVM_2232327-2_C.3d_igs.zip](#)

English

Customer View Model

[ENG_CVM_CVM_2232327-2_C.3d_stp.zip](#)

English

By downloading the CAD file I accept and agree to the [Terms and Conditions](#) of use.

Product Specifications



Application Specification

English

Product Environmental Compliance

[MD_2232327-2_061320181030_dmtec](#)

English

[MD_2232327-2_061320181030_dmtec](#)

English