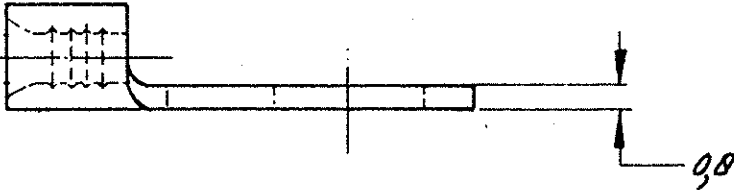
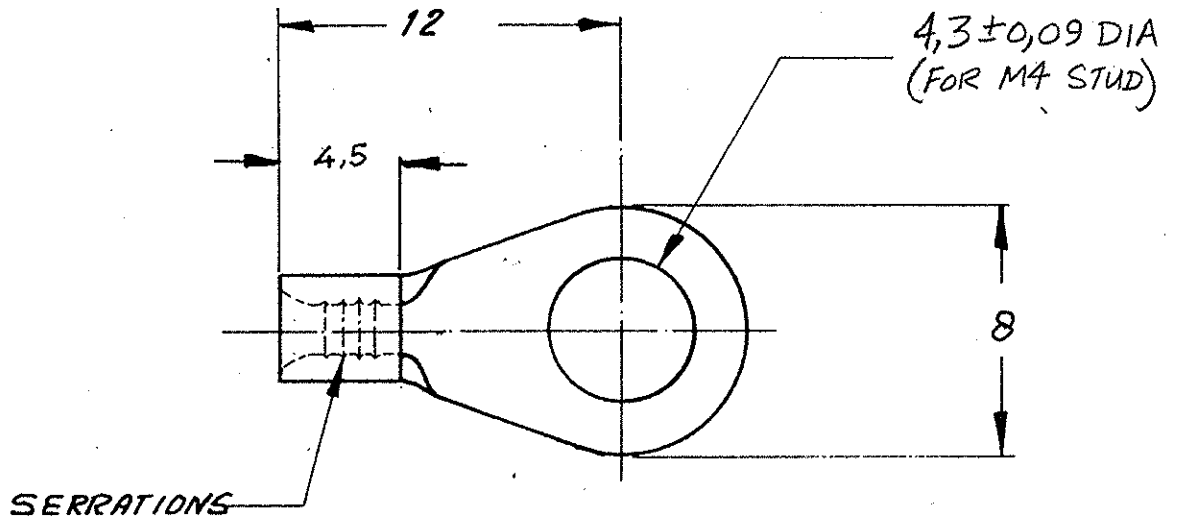


DRAWING MADE IN AMERICAN PROJECTION

NUMBER C-165293-E



DIMENSIONS IN M.M. DO NOT SCALE PRINT

CUSTOMER COPY FOR REFERENCE ONLY

©1967 BY AMP-HOLLAND N.V. ALL RIGHTS RESERVED A-MP PRODUCTS COVERED BY PATENTS AND/OR PATENTS PENDING.



AMP-HOLLAND N.V.
4-HERTOGENBOSCH
HOLLAND

165293 COPPER TINPLATED

| | | |
|------------------------------------|--------------------|--------------------------|
| WIRE-RANGE 05-1 mm ² | INSUL-RANGE —H— | TYPE -DIN- SOLISTRAND |
|------------------------------------|--------------------|--------------------------|

| | | |
|-----------|----------|---------|
| ORDER NO. | MATERIAL | PLATING |
|-----------|----------|---------|

| | | | | |
|--------------|----------|-----------|------------------|-----------|
| SCALE —H— | LOC H | SIZE A | NO C-165293-E | REV E1 |
|--------------|----------|-----------|------------------|-----------|

| | | | |
|------------------|-------------------|--------------------------|-------------------|
| DR R. DHONDT. | 23/ DATE 16-67 | DES to R. J. P. J. J. | 25/ DATE 17-67 |
| CHK | DATE | APP [Signature] | 25/ DATE 17-67 |

NAME RINGTONGUE stud: M4