

# GM1JV35200AE Series GM1BC35370AC GM1GC35200AC GM1EG35200A

## Chip LED

1608 size  
Thin 0.35 mm thickness

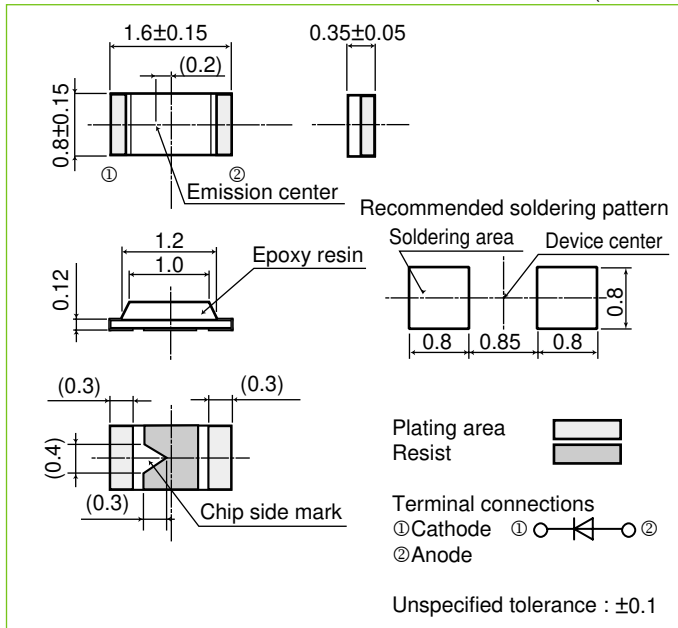


### Features

- 0.35 mm thickness thin package
- Outline dimensions : 1.6×0.8×0.35 mm
- Taped products ( 6 000 pcs/reel )
- Lead-free ( product contains no lead )

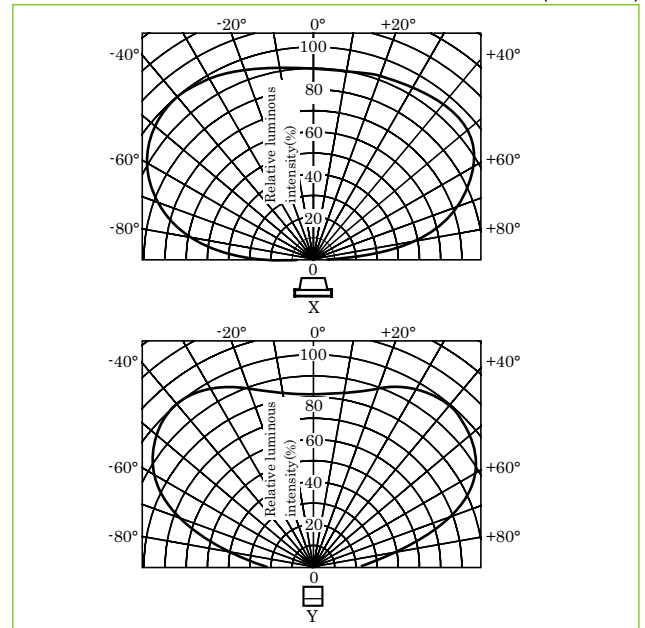
## Outline Dimensions

(Unit : mm)



## Directive Characteristics

( Ta=25 °C )



## Absolute Maximum Ratings

( Ta=25 °C )

Model No.	Material	Power dissipation P (mW)	Forward current I <sub>F</sub> (mA)	Peak forward current I <sub>FM</sub> *1 (mA)	Derating factor (mA / °C)		Reverse voltage V <sub>R</sub> (V)	Operating temperature T <sub>opr</sub> (°C)	Storage temperature T <sub>stg</sub> (°C)	Soldering temperature T <sub>sol</sub> *2 (°C)
					DC	Pulse				
GM1J□35200AE series	AlGaInP on GaAs	52	20	40	0.27	0.53	5	-30 to +85	-40 to +100	350
GM1BC35370AC	InGaN	63	20	40	0.27	0.53	5	-20 to +80	-40 to +100	250
GM1GC35200AC	InGaN	60	15	35	0.20	0.47	5	-20 to +80	-40 to +100	250
GM1EG35200A	GaP	84	30	50	0.40	0.67	5	-30 to +85	-40 to +100	350

\*1 Duty ratio=1/10, Pulse width=0.1 ms \*2 For 3 s or less, Hand soldering.

## Electro-optical Characteristics

( Ta=25 °C )

Resin type	Model No.	Emitting color	Forward voltage V <sub>F</sub> (V)		Peak emission wavelength λ <sub>p</sub> (nm) TYP.	Dominant wavelength λ <sub>d</sub> (nm) TYP.	Luminous intensity I <sub>v</sub> (mcd) TYP.	Spectrum radiation bandwidth Δλ (nm) TYP.	Reverse current		Terminal capacitance		Conditions I <sub>F</sub> (mA)	Page for characteristics diagrams
			TYP.	MAX.					I <sub>r</sub> (μA) MAX.	V <sub>r</sub> (V)	C <sub>t</sub> (pF) TYP.	(MHz)		
Colorless transparency	GM1JR35200AE	Red	2.0	2.6	638	630	13	15	100	4	60	1	5	54
	GM1JJ35200AE	Orange	2.0	2.6	627	618	19	15	100	4	60	1	5	
	GM1JS35200AE	Sunset orange	2.0	2.6	609	605	19	15	100	4	60	1	5	
	GM1JV35200AE	Amber	2.0	2.6	591	588	18.8	15	100	4	60	1	5	
	GM1JE35200AE	Yellow-green	2.0	2.6	575	572	13	15	100	4	60	1	5	
★ Milky diffusion	GM1BC35370AC	Blue	2.9	3.15	465	470	23	26	100	4	-	-	5	59
Colorless transparency	GM1GC35200AC	Green	3.7	4.1	518	525	54	36	100	4	-	-	10	59
Colorless transparency	GM1EG35200A	Yellow-green	2.1	2.8	567	-	19	30	10	4	35	1	20	69

★ Under development

(Notice)

- In the absence of confirmation by device specification sheets, SHARP takes no responsibility for any defects that may occur in equipment using any SHARP devices shown in catalogs, data books, etc.
- Contact SHARP in order to obtain the latest device specification sheets before using any SHARP device.
- Specifications are subject to change without notice for improvement.