

1

2

3

4

A

B

C

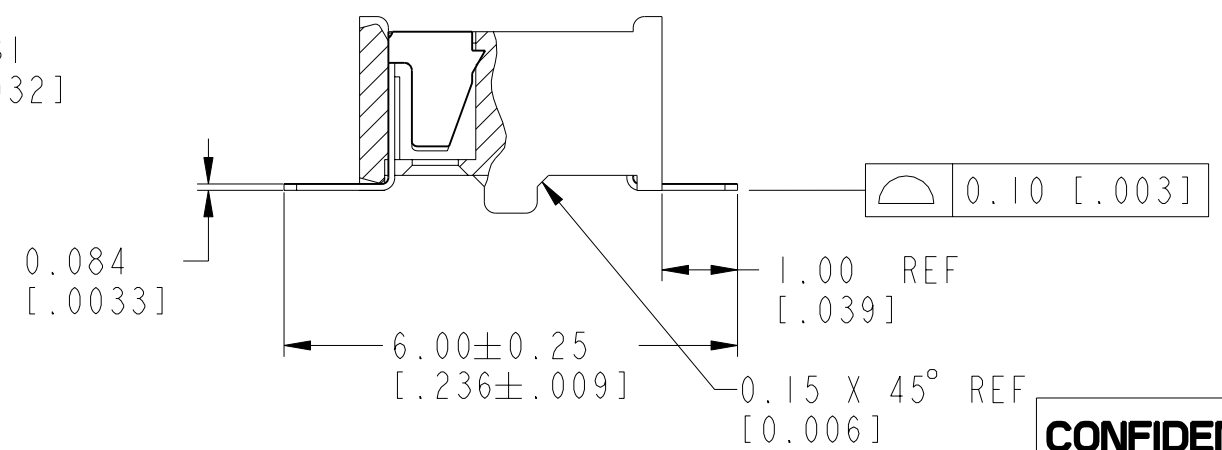
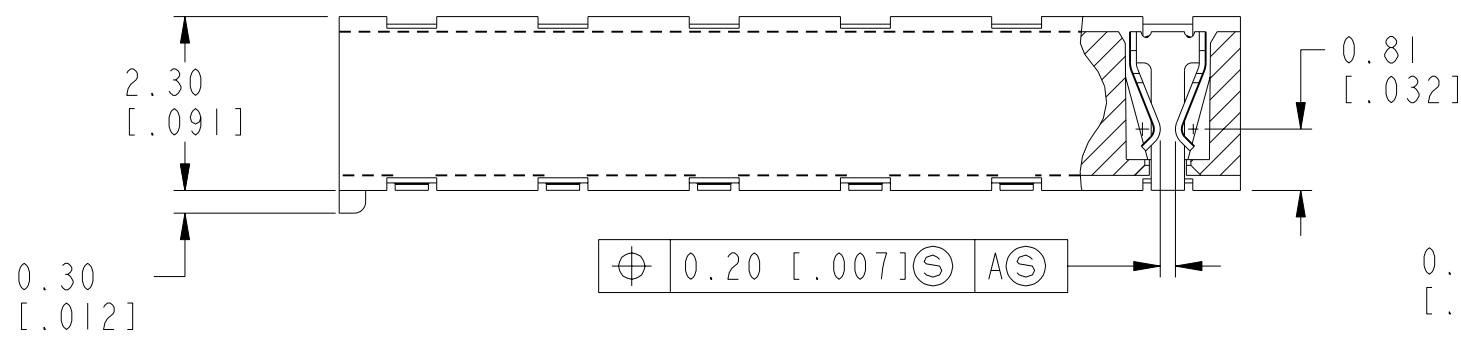
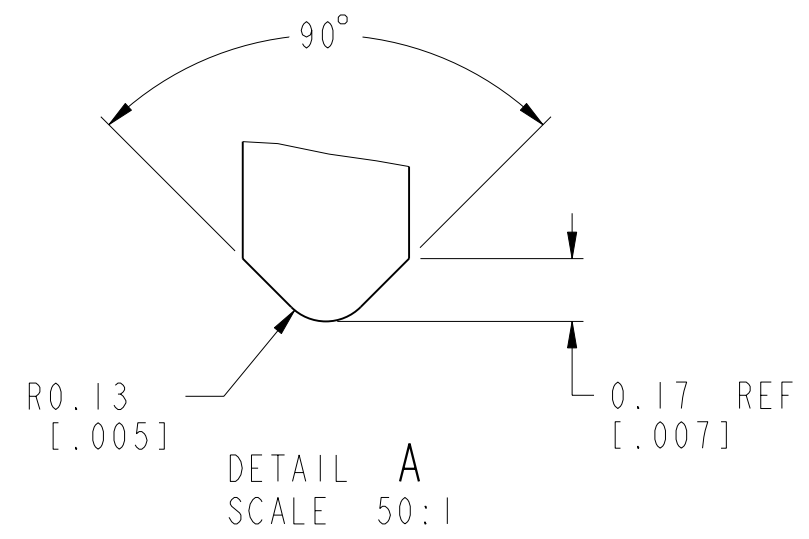
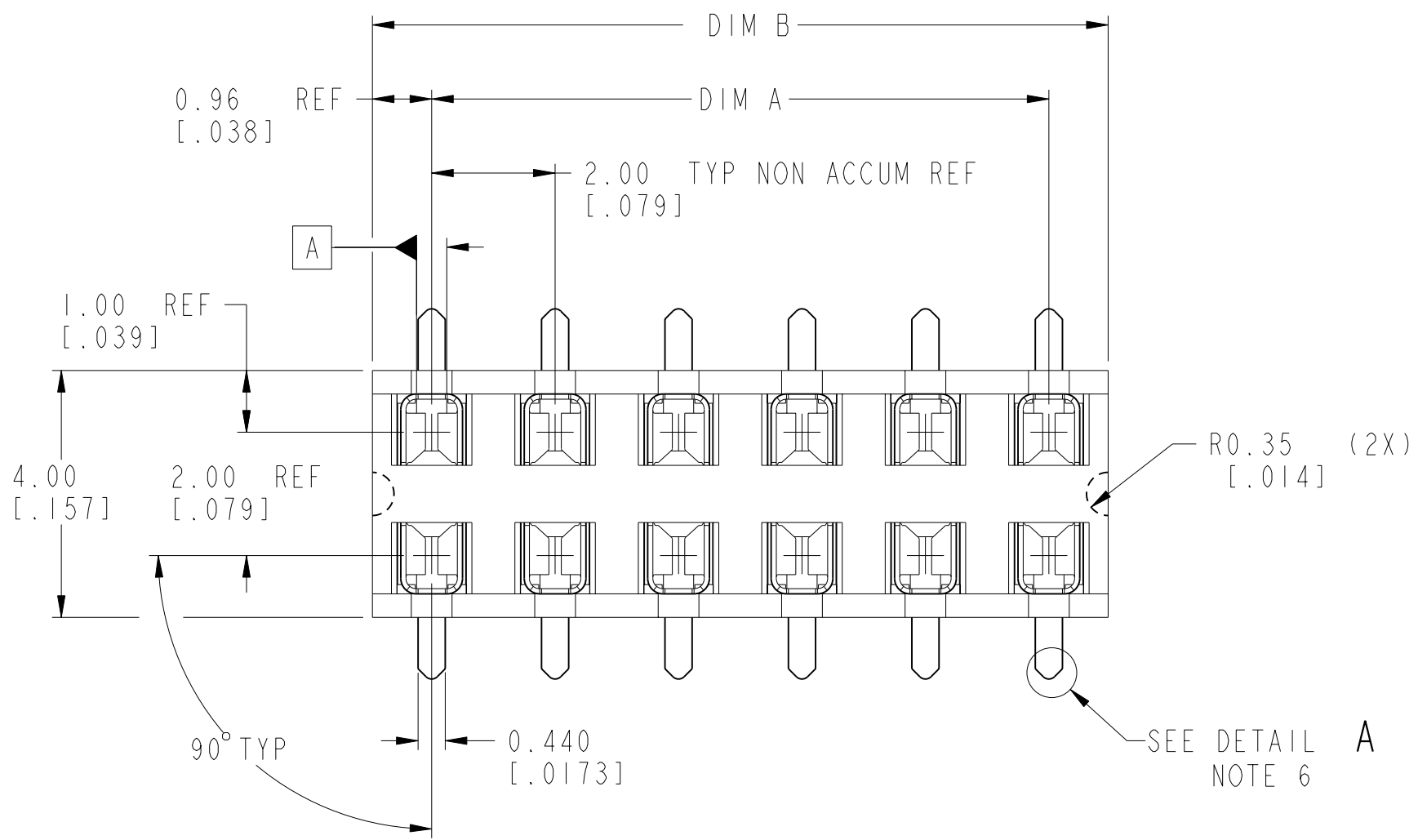
D

A

B

C

D



CONFIDENTIAL

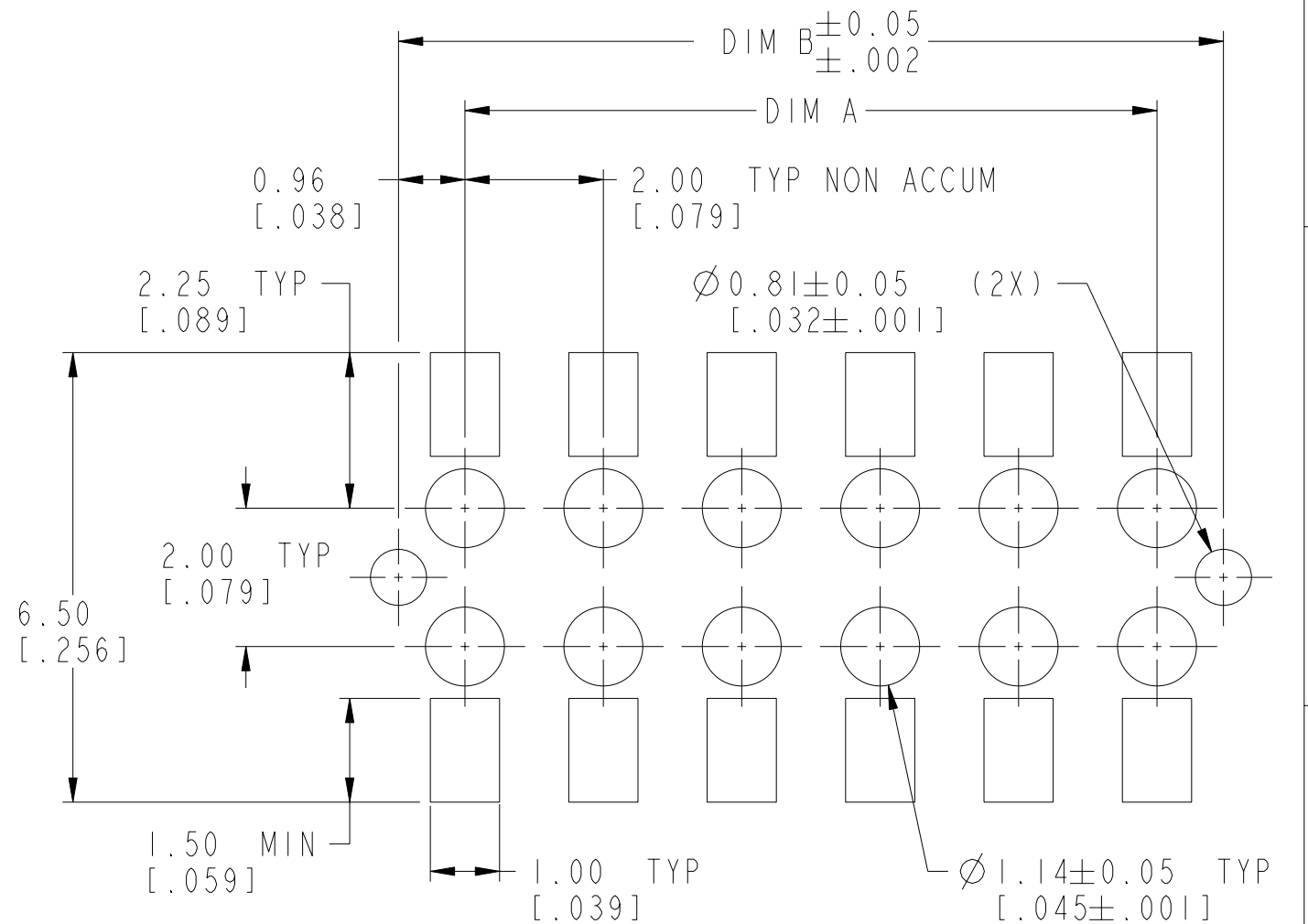
www.fciconnect.com			surface - ✓ ISO 1302	tolerance std ISO 406 ISO 1101	projection MM/INCH	size A3	Scale 5:1
			TOLERANCES UNLESS OTHERWISE SPECIFIED				
Dr	BS LOW	2000-01-06	ANGULAR	x.xx/xx	±0.3/.01	ECN S10-0136	
Eng	BS LOW	2000-01-06	LINEAR	x.xx/.xxx	±0.13/.005	Spec ref -	
Chr	KH LEE	2010-06-28	0° ±2°	x.xxx/.xxxx	±0.051/.0020		
Appr	JOEY NG	2010-06-28	Product family LPVCC				
rev			title		dwg no		Rev.
S10-0136			LOW PROFILE VCC SMT 2.3 BOTTOM ENTRY		91763		S
-			ASSY WITH 0.30/0.012 LOCATING FEATURES		CUSTOMER		sheet 1 of 3
-			catalog no				
L V94400 BSL 1999-12-01							
M S04-0245 KBM 2004-11-18							
N S05-0059 KBM 2005-04-20							
P S06-0383 KHL 2006-11-20							
R S07-0015 KHL 2007-01-09							



Copyright FCI.

PRODUCT NO SEE NOTE 4	POSITIONS	DIM. A	DIM. B
91763-X04	2 X 2	2.00 / .079	3.92 / .154
-X06	2 X 3	4.00 / .158	5.92 / .233
-X08	2 X 4	6.00 / .236	7.92 / .312
-X10	2 X 5	8.00 / .315	9.92 / .391
-X12	2 X 6	10.00 / .394	11.92 / .469
-X14	2 X 7	12.00 / .472	13.92 / .548
-X16	2 X 8	14.00 / .551	15.92 / .627
-X18	2 X 9	16.00 / .630	17.92 / .706
-X20	2 X 10	18.00 / .709	19.92 / .784
-X22	2 X 11	20.00 / .787	21.92 / .863
-X24	2 X 12	22.00 / .866	23.92 / .942
-X26	2 X 13	24.00 / .945	25.92 / 1.020
-X28	2 X 14	26.00 / 1.024	27.92 / 1.099
-X30	2 X 15	28.00 / 1.102	29.92 / 1.178

CONTACT AREA PLATING OPTIONS
0 = 0.20µm/8µ" Au CONTACT AREA
1 = 0.76µm/30µ" Au CONTACT AREA
3 = 0.38µm/15µ" Au CONTACT AREA



RECOMMENDED PAD LAYOUT

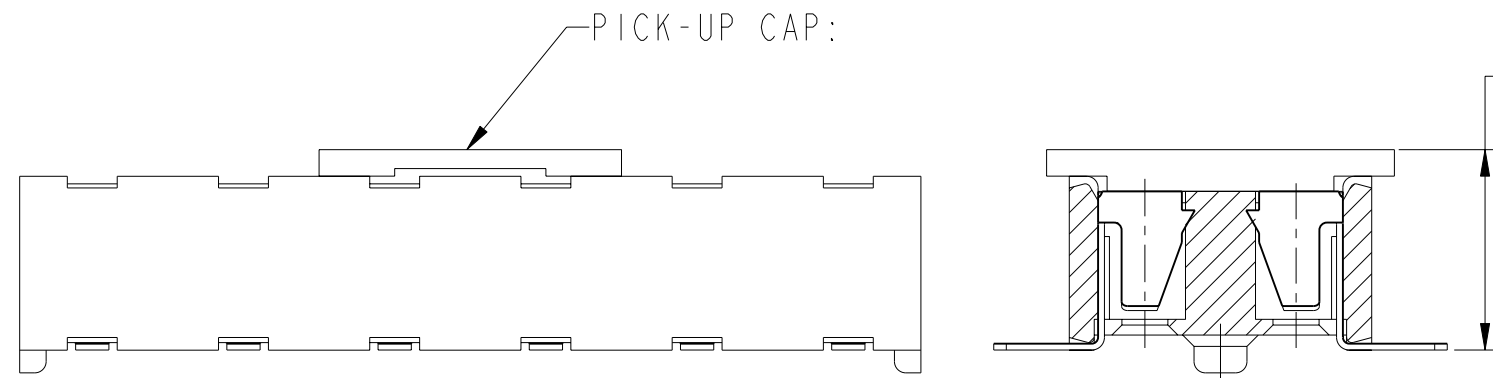


FIG. 1
NOTE 5(b) & (d)

www.fciconnect.com			surface - ✓ ISO 1302	tolerance std ISO 406 ISO 1101	projection MM / INCH
			TOLERANCES UNLESS OTHERWISE SPECIFIED		Scale 10:1
Dr	BS LOW	2000-01-06	ANGULAR	x.x/.xx ±0.3/.01	size A3
Eng	BS LOW	2000-01-06	LINEAR	x.xx/.xxx ±0.13/.005	
Chr	KH LEE	2010-06-28	0° ±2°	x.xxx/.xxxx ±0.051/.0020	ECN S10-0136
Appr	JOEY NG	2010-06-28	Product family	LPVCC	Spec ref -
		LOW PROFILE VCC SMT 2.3 BOTTOM ENTRY ASSY WITH 0.30/0.012 LOCATING FEATURES		dwg no 91763	Rev. S
catalog no		-		CUSTOMER	sheet 2 of 3

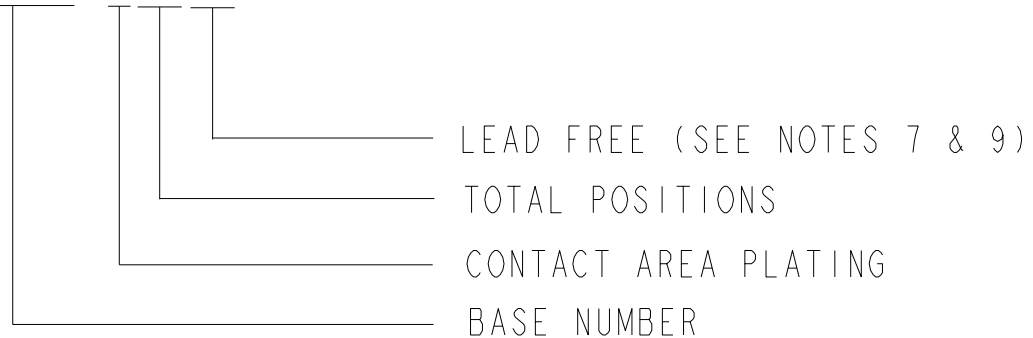
CONFIDENTIAL

NOTES:

- 1. HOUSING MATERIAL : HIGH TEMP PLASTIC.
- 2. TERMINAL MATERIAL :BeCu.
- 3. TERMINAL RETENTION 0.5Kg/1.1 Lbs.

④ PRODUCT DESCRIPTION CODE :

XXXXX-XXXLF



- ⑤ PACKAGING :
 - (a) XXXXX-XXX --- STD PACKAGING IN TUBE.
 - (b) XXXXX-XXXTR --- TAPE AND REEL (CONDUCTIVE) PACKAGING WITH PICK-UP CAP (SEE FIG 1).
 - (c) XXXXX-XXXTRN --- TAPE AND REEL (CONDUCTIVE) PACKAGING WITHOUT PICK-UP CAP.

6. "V" CUT OPTINAL - MANUFACTURING PROCESS OPTION.

- △S ⑦ SOLDERING PLATING:
 - (a) SOLDER OF P/N:91763-XXX IS TIN/LEAD PLATED.
 - (b) SOLDER OF P/N:91763-XXXLF IS GOLD FLASH PLATED.

8. THE HOUSING WILL WITHSTAND EXPOSURE TO 255°C PEAK TEMPERATURE FOR 10 SECONDS IN A CONVECTION, INFRA-RED OR VAPOR PHASE REFLOW OVEN.

⑨ THIS PRODUCT MEETS EUROPEAN UNION DIRECTIVES AND OTHER COUNTRY REGULATIONS AS DESCRIBED IN GS-22-008.

- △S ⑩ A △S SYMBOL WILL BE NEXT TO ANY DIMENSION, VIEW OR NOTE WHICH HAS BEEN MODIFIED WITH THE CURRENT DRAWING REVISION.

CONFIDENTIAL

www.fciconnect.com			surface - ✓ ISO 1302	tolerance std ISO 406 ISO 1101	projection MM / INCH
			TOLERANCES UNLESS OTHERWISE SPECIFIED		← →
Dr	BS LOW	2000-01-06	ANGULAR	LINEAR	size
Eng	BS LOW	2000-01-06			x.x/.xx ±0.3/.01
Chr	KH LEE	2010-06-28	0° ±2°	x.xx/.xxx ±0.13/.005	Scale
Appr	JOEY NG	2010-06-28	Product family LPVCC		5:1
			Spec ref		ECN S10-0136
FCi			title LOW PROFILE VCC SMT 2.3 BOTTOM ENTRY		Rev.
			ASSY WITH 0.30/0.012 LOCATING FEATURES		S
			catalog no	91763	sheet 3 of 3