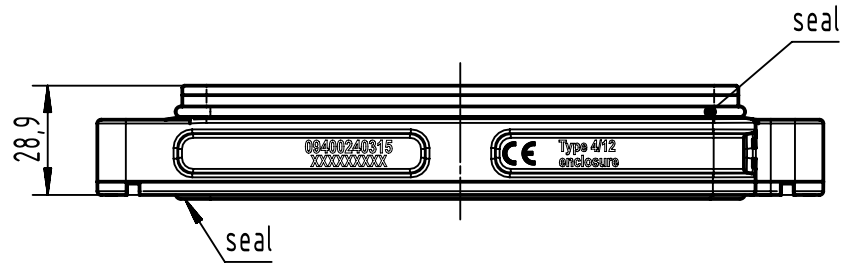
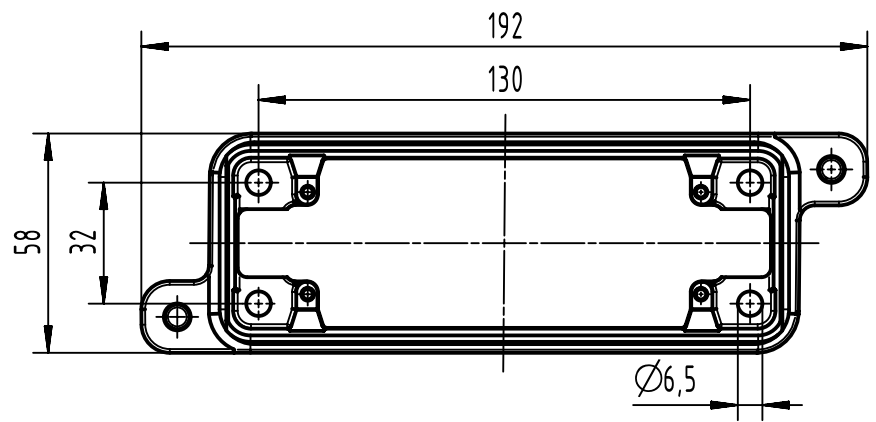


A



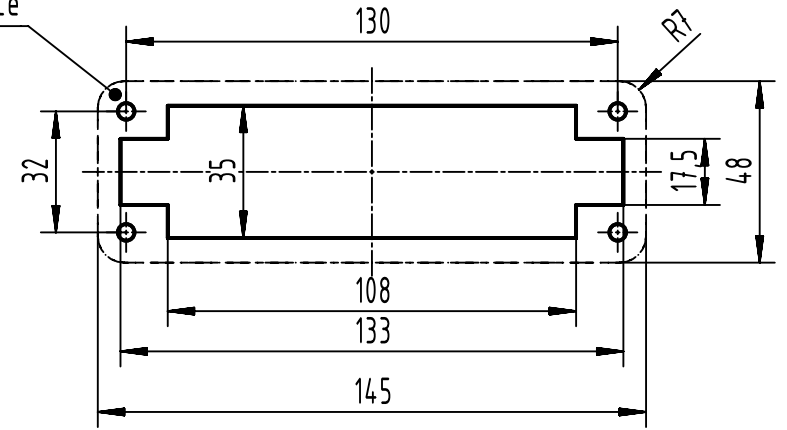
B



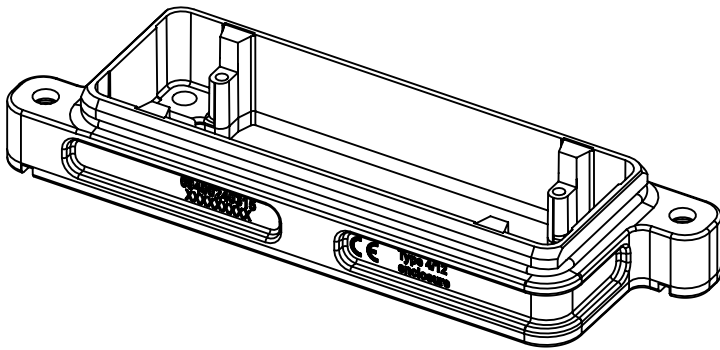
C

for EMC features,
conductive surface

panel cut out



D



All Dimensions in mm Original Size DIN A4	Scale	Free size tol.		Ref.	
	1:2			Sub.	
All rights reserved Department EL PD	Created by	Inspected by	Standardisation	Date	State
	SPRENB	SUNDERMEIER	302077	2020-11-27	Final Release
HARTING Electric GmbH & Co. KG D-32339 Espelkamp	Title				Doc-Key / ECM-Nr.
	Han 24HPR Base Panel screw lock. milled				100217700/UGD/004/F 500000182491
Type	Number	Rev.		Page	
TB	09 40 024 0315	F		1/1	