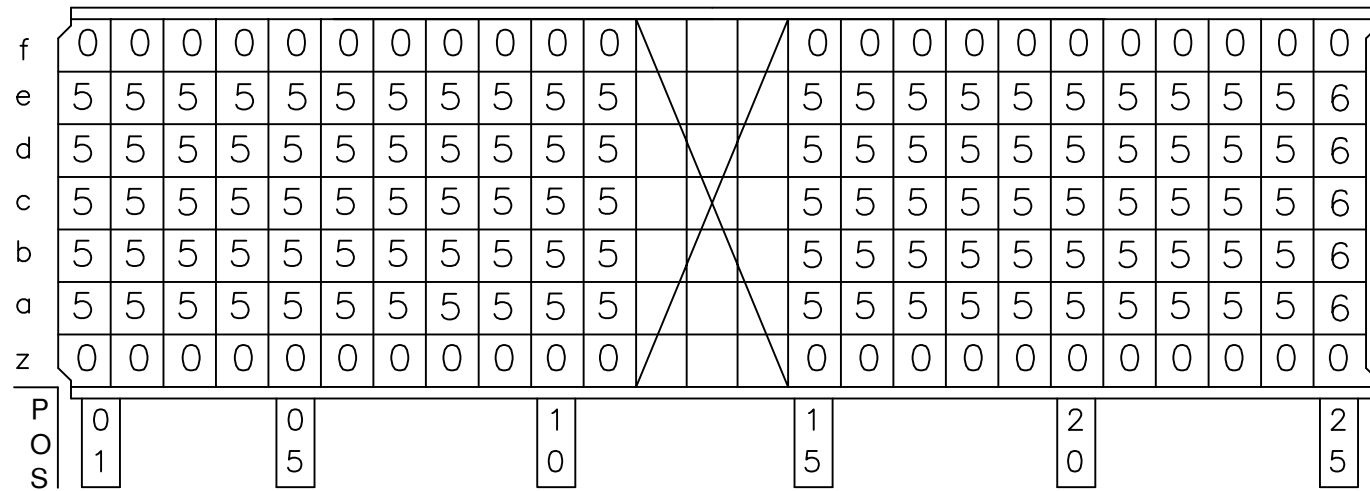
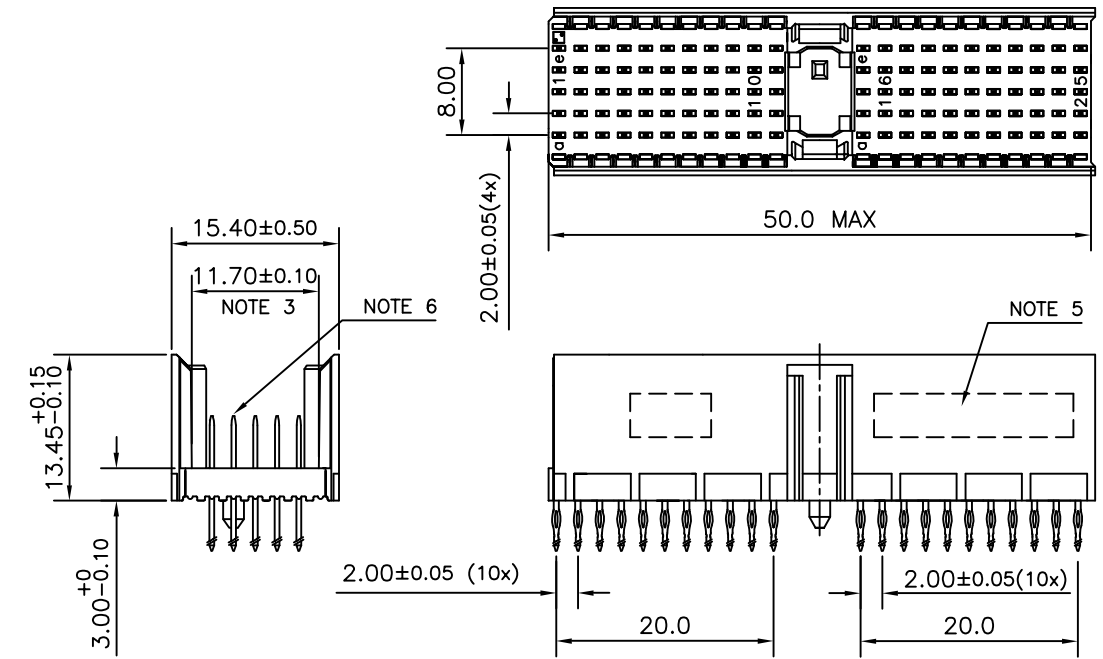


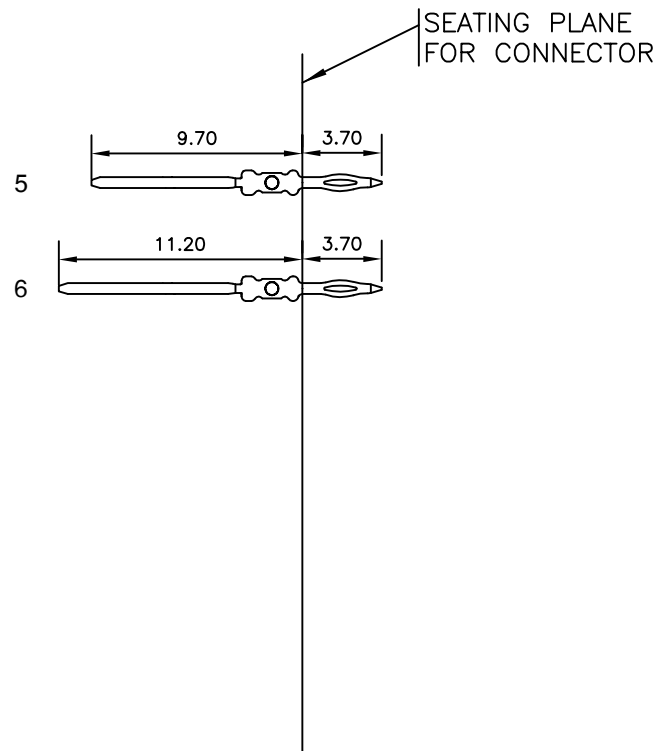
LOADING PATTERN MATING SIDE



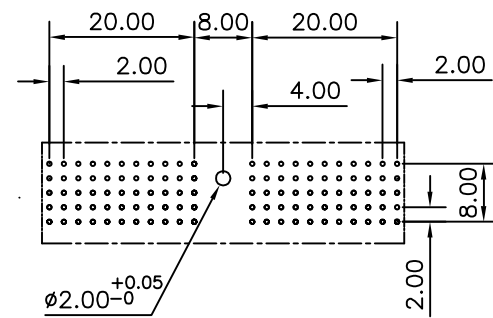
LOADED CONNECTOR ASSEMBLY (FOR EXAMPLE)



CONTACT OVERVIEW



LAY-OUT P.C.B.-HOLE



HM2P07PDU1H0 **LEAD FREE INDICATOR : LF = LEAD FREE (DIGIT 15 & 16)**
PLATING CODE (DIGIT 13 AND 14)
 (REF DRW NO. BS,C , 201844 , 003)

NOTES

- THIS PRODUCT IS CSA APPROVED.
- THIS PRODUCT IS UL RECOGNIZED.
- MEASURED AT THE BOTTOM.
- MATERIAL CONTACT: PHOSPHORBRONZE
HOUSING: CREAM WHITE GLASS FILLED POLYESTER UL-94V0
- CONNECTOR PRINTED WITH P/N AND DATE CODE.
- FOR ACTUAL CONTACT LOADINGS, SEE LOADING PATTERN MATING SIDE.
- SHAPE OF CONNECTOR HOUSING CAN ALTER DEPENDING ON PRODUCTION LOCATION
- THE PRODUCT (LF) MEETS EUROPEAN UNION DIRECTIVES AND OTHER COUNTRY REGULATIONS AS DESCRIBED IN GS-22-008
- FOR RECOMMENDED PTH DIMENSIONS REFER DRAWING : BS, A , 201572 , 001

CATALOG NO: HM2P07PDU1H0- - -

mat'l. code SEE NOTE 4		surface ISO 1302 ✓		tolerance ISO 406 ISO 1101		projection MM		product family MLLIPACS	
litr		ecn no		date		tolerances unless otherwise specified		title	
A	I03-0021	JAY	06/06/2003	angles	linear	.0±0.2	scale	MPACS 5+2R STR HDR PF CONN TYPE A	
B	I05-0171	MINI	28/09/2005	0°±1°		.00±0.1			
C	I06-0077	MINI	21/06/2006			.000±.00X			
sheet index		revision sheet		c		dr		MINI K VANDANATH 05/06/2003	
						enr		BIJU K PAUL 05/06/2003	
						chr		BIJU K PAUL 21/06/2006	
						appd		BIJU K PAUL 21/06/2006	
								type Product Customer Drawing	



dwg no sheet 1 of 1 size 5
BS, C ,203028, 036 A3