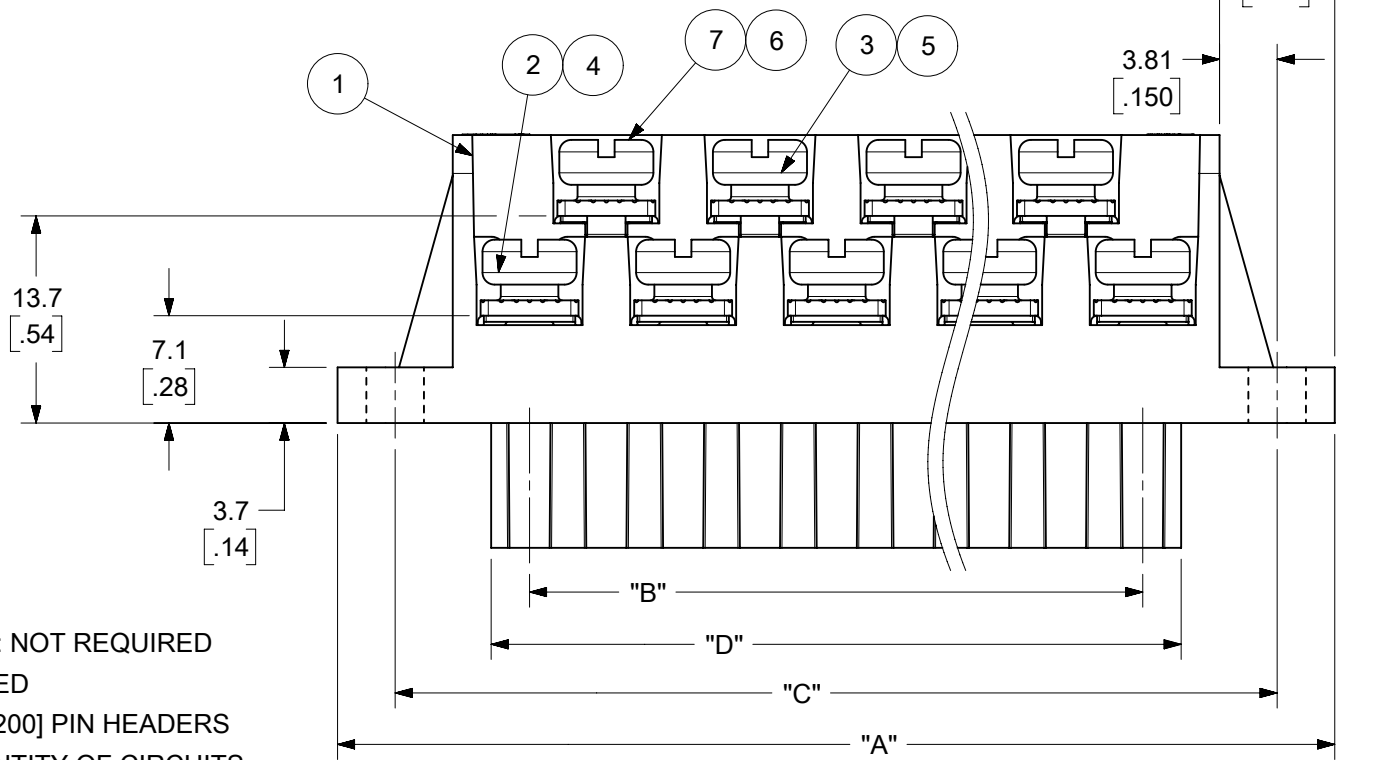
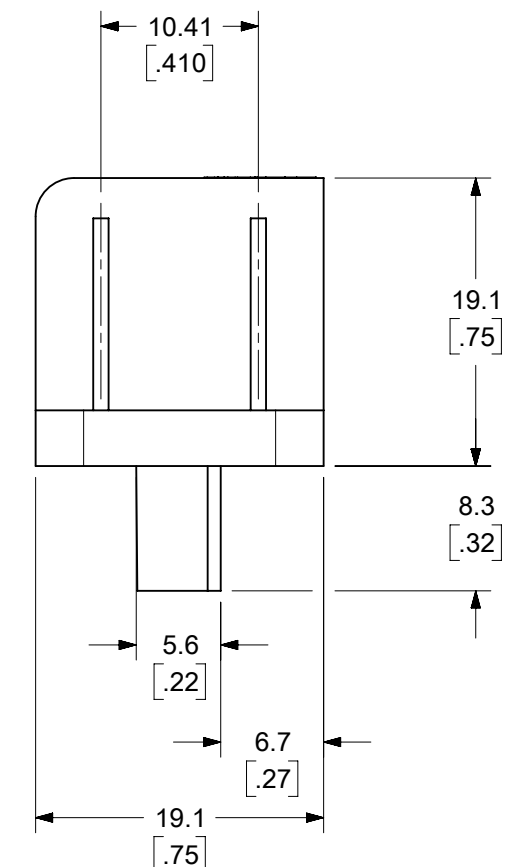


EVEN CIRCUIT, FWE ODD CIRCUIT, FWE

AUXILIARY VIEWS SCALE 1:1



ODD CIRCUIT CONFIGURATION SHOWN



- NOTES:
1. MATERIAL: SEE TABLE
 2. FINISHES: SEE TABLE
 3. PRODUCT SPECIFICATION: NOT REQUIRED
 4. PACKAGING: NOT REQUIRED
 5. MATES WITH: MOST 5.08 [.200] PIN HEADERS
 6. "XX" REFERS TO THE QUANTITY OF CIRCUITS
 7. ROHS COMPLIANT

7	XX	XX	SCREW, M3.5 X .280	STEEL	ZINC CHROMATE
6	XX	XX	NUT, M3.5, HEX	STEEL	ZINC CHROMATE
5	XX/2	(XX-1)/2	REAR ROW TERMINAL (-G30 OPT.)	PHOS. BRONZE	SELECTIVE GOLD
4	XX/2	(XX+1)/2	FRONT ROW TERMINAL (-G30 OPT.)	PHOS. BRONZE	SELECTIVE GOLD
3	XX/2	(XX-1)/2	REAR ROW TERMINAL	PHOS. BRONZE	HOT TIN DIP
2	XX/2	(XX+1)/2	FRONT ROW TERMINAL	PHOS. BRONZE	HOT TIN DIP
1	1	1	BARRIER	THERMOPLASTIC	BLACK
ITEM	QTY. (EVEN NO. OF CIRCUITS)	QTY. (ODD NO. OF CIRCUITS)	DESCRIPTION	MATERIAL	FINISH

THIS DRAWING CONTAINS INFORMATION THAT IS PROPRIETARY TO MOLEX ELECTRONIC TECHNOLOGIES, LLC AND SHOULD NOT BE USED WITHOUT WRITTEN PERMISSION

FUNCTIONAL SYMBOLS: $\nabla_A = 0$, $\nabla_E = 0$, $\nabla_P = 0$

DIVISIONAL SYMBOLS

THIS DRAWING CONTAINS INFORMATION THAT IS PROPRIETARY TO MOLEX ELECTRONIC TECHNOLOGIES, LLC AND SHOULD NOT BE USED WITHOUT WRITTEN PERMISSION

CURRENT REV DESC: MIGRATED TO ECTR/NX. REMOVED "US PATENT" TEXT FROM MODEL

SCALE: 2:1

GENERAL TOLERANCES (UNLESS SPECIFIED):

	MM	INCH
4 PLACES	± .01	± .0005
3 PLACES	± .013	± .001
2 PLACES	± .025	± .002
1 PLACE	± .050	± .005
0 PLACES	± .100	± .010

ANGULAR TOL ± 2°

DRAFT WHERE APPLICABLE MUST REMAIN WITHIN DIMENSIONS

THIRD ANGLE PROJECTION

DRAWING: B-SIZE

SERIES: 39940

EC NO: 677615

DRWN: ABENJAMINLW

CHK'D: DACHAMMER

APPR: JFMURPHY

INITIAL REVISION:

DRWN: CYORK

APPR: grobertson

2021/08/19

2021/09/09

2022/01/04

2005/02/23

2005/03/01

molex

5.08/.200 PLUG ASSY, FWE WITH BULKHEAD PANEL MTG. ENDS (9479XX)

PRODUCT CUSTOMER DRAWING

DOCUMENT NUMBER: SD-39940-006

DOC TYPE: PSD

DOC PART: 001

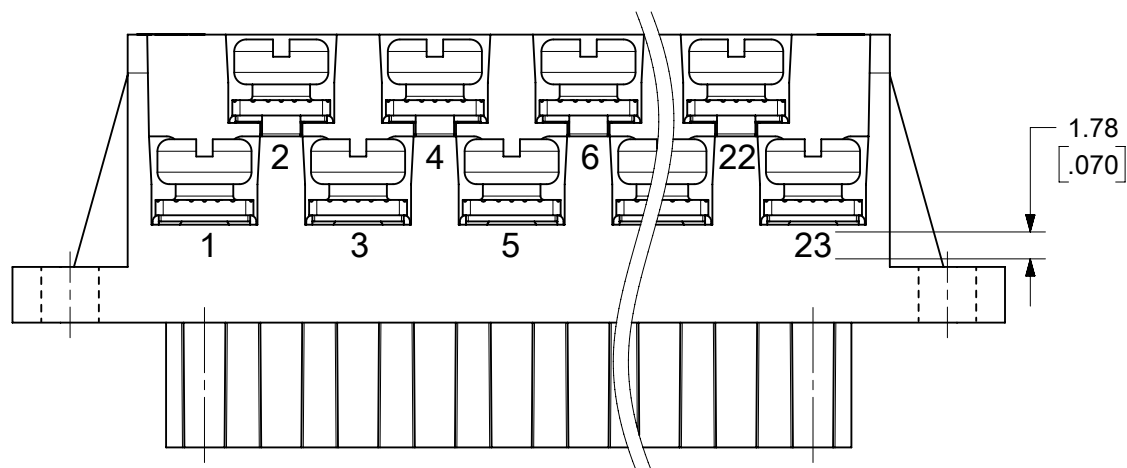
REVISION: D

MATERIAL NUMBER: SEE SHEET-2

CUSTOMER: GENERAL MARKET

SHEET NUMBER: 1 OF 2

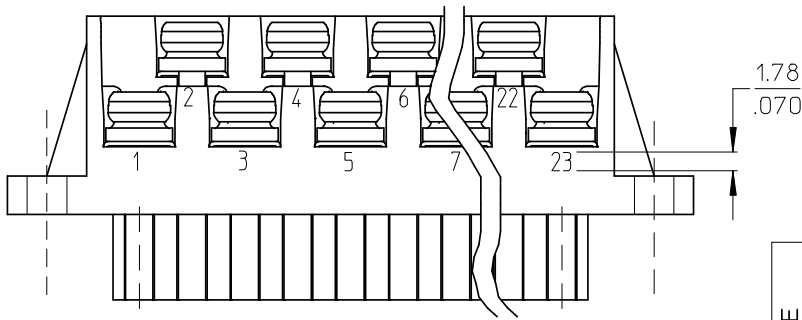
NO. OF CIRC. "XX"	DIM. "A"		DIM. "B"		DIM. "C"		DIM. "D" $\begin{matrix} +.00 \\ -.25 \end{matrix} \begin{matrix} [+0.00 \\ -.010] \end{matrix}$		MATERIAL NO. (STANDARD)	MATERIAL NO. (-10A OPT.)	MATERIAL NO. (-G30 OPT.)	MATERIAL NO. (-G30, -10A OPT.)
	mm	IN	mm	IN	mm	IN	mm	IN				
03	35.6	[1.40]	10.16	[.400]	27.94	[1.100]	15.2	[.60]	399400703		399410703	
04	40.6	[1.60]	15.24	[.600]	33.02	[1.300]	20.3	[.80]	399400704		399410704	
05	45.7	[1.80]	20.32	[.800]	38.10	[1.500]	25.4	[1.00]	399400705		399410705	
06	50.8	[2.00]	25.40	[1.000]	43.18	[1.700]	30.5	[1.20]	399400706		399410706	
07	55.9	[2.20]	30.48	[1.200]	48.26	[1.900]	35.6	[1.40]	399400707		399410707	
08	61.0	[2.40]	35.56	[1.400]	53.34	[2.100]	40.6	[1.60]	399400708		399410708	
09	66.0	[2.60]	40.64	[1.600]	58.42	[2.300]	45.7	[1.80]	399400709		399410709	
10	71.1	[2.80]	45.72	[1.800]	63.50	[2.500]	50.8	[2.00]	399400710		399410710	
11	76.2	[3.00]	50.80	[2.000]	68.58	[2.700]	55.9	[2.20]	399400711		399410711	
12	81.3	[3.20]	55.88	[2.200]	73.66	[2.900]	61.0	[2.40]	399400712		399410712	
13	86.4	[3.40]	60.96	[2.400]	78.74	[3.100]	66.0	[2.60]	399400713		399410713	
14	91.4	[3.60]	66.04	[2.600]	83.82	[3.300]	71.1	[2.80]	399400714		399410714	
15	96.5	[3.80]	71.12	[2.800]	88.90	[3.500]	76.2	[3.00]	399400715		399410715	
16	101.6	[4.00]	76.20	[3.000]	93.98	[3.700]	81.3	[3.20]	399400716		399410716	
17	106.7	[4.20]	81.28	[3.200]	99.06	[3.900]	86.4	[3.40]	399400717		399410717	
18	111.8	[4.40]	86.36	[3.400]	104.14	[4.100]	91.4	[3.60]	399400718		399410718	
19	116.8	[4.60]	91.44	[3.600]	109.22	[4.300]	96.5	[3.80]	399400719		399410719	
20	121.9	[4.80]	96.52	[3.800]	114.30	[4.500]	101.6	[4.00]	399400720		399410720	
21	127.0	[5.00]	101.60	[4.000]	119.38	[4.700]	106.7	[4.20]	399400721		399410721	
22	132.1	[5.20]	106.68	[4.200]	124.46	[4.900]	111.8	[4.40]	399400722		399410722	
23	137.2	[5.40]	111.76	[4.400]	129.54	[5.100]	116.8	[4.60]	399400723		399410723	
24	142.2	[5.60]	116.84	[4.600]	134.62	[5.300]	121.9	[4.80]	399400724		399410724	399490019



OPTIONAL
10A IMPRINTING
(ODD CIRCUIT CONFIGURATION SHOWN)

THIS DRAWING CONTAINS INFORMATION THAT IS PROPRIETARY TO MOLEX ELECTRONIC TECHNOLOGIES, LLC AND SHOULD NOT BE USED WITHOUT WRITTEN PERMISSION											
FUNCTIONAL SYMBOLS	DIMENSION UNITS	SCALE	CURRENT REV DESC: MIGRATED TO ECTR/NX. REMOVED "US PATENT" TEXT FROM MODEL								
$\nabla_A = 0$	MM/INCH	2:1	molex 5.08/.200 PLUG ASSY, FWE WITH BULKHEAD PANEL MTG. ENDS (9479XX)								
$\nabla_E = 0$	GENERAL TOLERANCES (UNLESS SPECIFIED)										
$\nabla_F = 0$			MM		INCH		EC NO: 677615		2021/08/19		
	4 PLACES	±	---	±	---	DRWN: ABENJAMINLW		2021/09/09			
	3 PLACES	±	---	±	.005	CHK'D: DACHAMMER		2022/01/04			
DIVISIONAL SYMBOLS	2 PLACES	±	0.13	±	.01	APPR: JFMURPHY		INITIAL REVISION:			
	1 PLACE	±	0.3	±	---	DRWN: CYORK		2005/02/23			
	0 PLACES	±	---	±	---	APPR: grobertson		2005/03/01			
	ANGULAR TOL		±		2°	THIRD ANGLE PROJECTION		DRAWING		SERIES	
	DRAFT WHERE APPLICABLE MUST REMAIN WITHIN DIMENSIONS					B-SIZE		39940		MATERIAL NUMBER	
						SEE CHART		GENERAL MARKET		CUSTOMER	
										SHEET NUMBER	
										2 OF 2	

NO. OF CIRC. "XX"	"A"	"B"	"C"	"D" ^{+0.00} _{-.25} [^{+0.000} _{-.010}]	MATERIAL NO.	MATERIAL NO. (-10A OPT.)	MATERIAL NO. (-G30 OPT.)	MATERIAL NO. (-G30,-10A OPT.)
03	35.6 [1.40]	10.16 [4.00]	27.94 [1.100]	15.2 [.60]	399400703		399410703	
04	40.6 [1.60]	15.24 [6.00]	33.02 [1.300]	20.3 [.80]	399400704		399410704	
05	45.7 [1.80]	20.32 [8.00]	38.10 [1.500]	25.4 [1.00]	399400705		399410705	
06	50.8 [2.00]	25.40 [10.00]	43.18 [1.700]	30.5 [1.20]	399400706		399410706	
07	55.9 [2.20]	30.48 [12.00]	48.26 [1.900]	35.6 [1.40]	399400707		399410707	
08	61.0 [2.40]	35.56 [14.00]	53.34 [2.100]	40.6 [1.60]	399400708		399410708	
09	66.0 [2.60]	40.64 [16.00]	58.42 [2.300]	45.7 [1.80]	399400709		399410709	
10	71.1 [2.80]	45.72 [18.00]	63.50 [2.500]	50.8 [2.00]	399400710		399410710	
11	76.2 [3.00]	50.80 [20.00]	68.58 [2.700]	55.9 [2.20]	399400711		399410711	
12	81.3 [3.20]	55.88 [22.00]	73.66 [2.900]	61.0 [2.40]	399400712		399410712	
13	86.4 [3.40]	60.96 [24.00]	78.74 [3.100]	66.0 [2.60]	399400713		399410713	
14	91.4 [3.60]	66.04 [26.00]	83.82 [3.300]	71.1 [2.80]	399400714		399410714	
15	96.5 [3.80]	71.12 [28.00]	88.90 [3.500]	76.2 [3.00]	399400715		399410715	
16	101.6 [4.00]	76.20 [30.00]	93.98 [3.700]	81.3 [3.20]	399400716		399410716	
17	106.7 [4.20]	81.28 [32.00]	99.06 [3.900]	86.4 [3.40]	399400717		399410717	
18	111.8 [4.40]	86.36 [34.00]	104.14 [4.100]	91.4 [3.60]	399400718		399410718	
19	116.8 [4.60]	91.44 [36.00]	109.22 [4.300]	96.5 [3.80]	399400719		399410719	
20	121.9 [4.80]	96.52 [38.00]	114.30 [4.500]	101.6 [4.00]	399400720		399410720	
21	127.0 [5.00]	101.60 [40.00]	119.38 [4.700]	106.7 [4.20]	399400721		399410721	
22	132.1 [5.20]	106.68 [42.00]	124.46 [4.900]	111.8 [4.40]	399400722		399410722	
23	137.2 [5.40]	111.76 [44.00]	129.54 [5.100]	116.8 [4.60]	399400723		399410723	
24	142.2 [5.60]	116.84 [46.00]	134.62 [5.300]	121.9 [4.80]	399400724		399410724	399490019



OPTIONAL
10A IMPRINTING
(ODD CIRCUIT CONFIGURATION SHOWN)

SEE SHEET ONE EEC NO: WNA2008-0391 DRAWN: JENCINAS 2008/07/01 CHKD: CYORK 2008/07/02 APPR: JMACNEIL 2008/07/07 REV DESCRIPTION	QUALITY SYMBOLS	GENERAL TOLERANCES (UNLESS SPECIFIED)	DIMENSION STYLE	SCALE	DESIGN UNITS	THIRD ANGLE PROJECTION
	▽=0 ▽=0	mm INCH 4 PLACES ± --- ± --- 3 PLACES ± --- ± .005 2 PLACES ± 0.13 ± .01 1 PLACE ± 0.3 ± --- ANGULAR ± 2 °	MM/IN	2:1	INCH	
		DRAFT WHERE APPLICABLE MUST REMAIN WITHIN DIMENSIONS	DRAWN BY DATE C. YORK 2005/02/22 CHECKED BY DATE R. KEMP 2005/02/22 APPROVED BY DATE GHR 2005/02/22	TITLE 5.08/.200 PLUG ASSY, FWE WITH BULKHEAD PANEL MTG. ENDS (9479XX)		
			MATERIAL NO. SEE CHART	MOLEX INCORPORATED DOCUMENT NO. SD-39940-006		SHEET NO. 2 OF 2
			THIS DRAWING CONTAINS INFORMATION THAT IS PROPRIETARY TO MOLEX INCORPORATED AND SHOULD NOT BE USED WITHOUT WRITTEN PERMISSION			