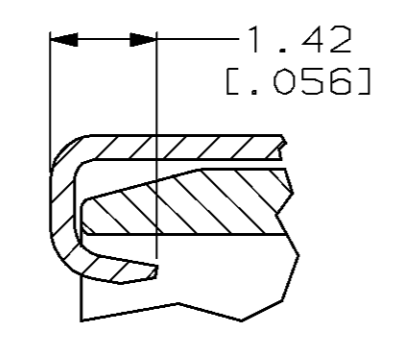
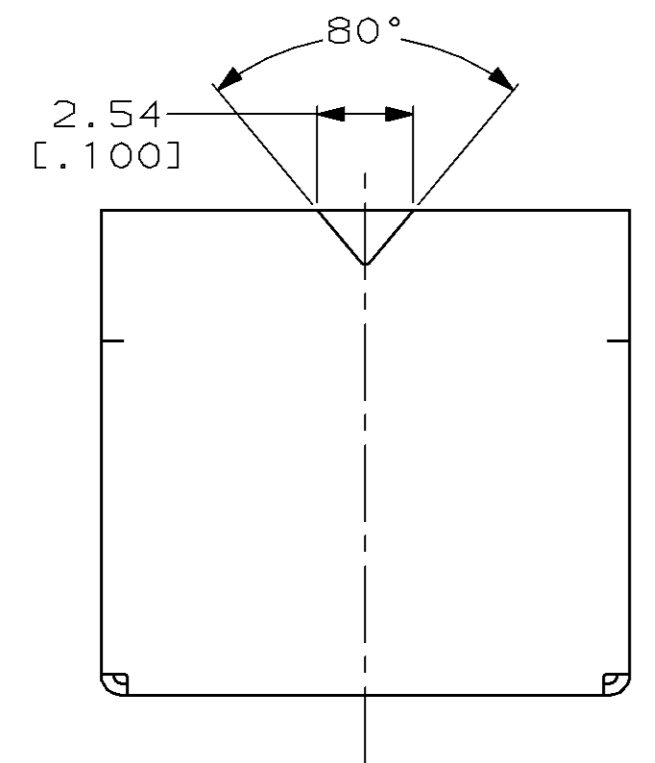
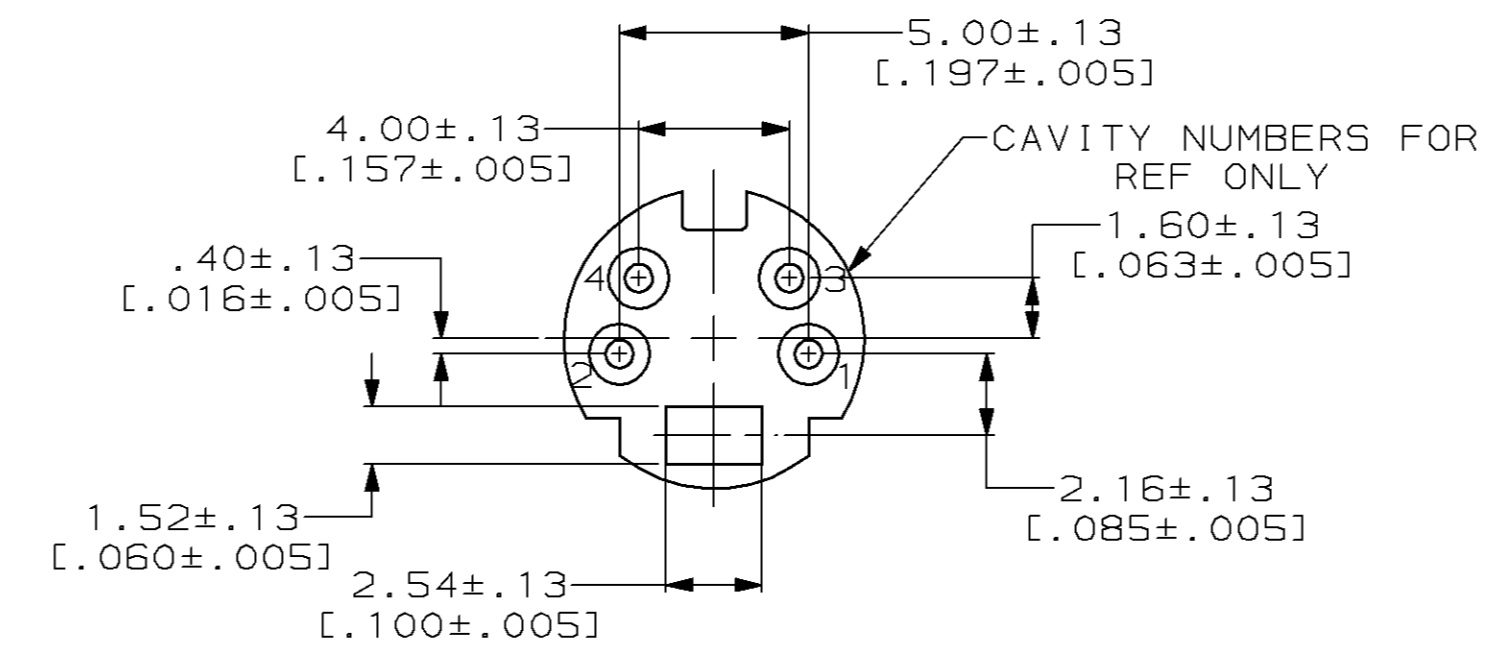


LOC	DIST	P	F	ZONE	LTR	REVISIONS			
						DESCRIPTION	DATE	APPD	
	26					O	RLSE NPR 2275 WAS 88-4837-17	01/05/89	-
						A	REVISED ECN-BD2959	05/09/89	-
						B	REVISED ECN BD3043	06/20/89	RW
						C	REVISED ECN-BD3213	8-16-89	RW
						D	REV PER ECN BD5426	10/28/91	-
						E	REV PER EC 0020-824-95	12 OCT 95	JH
						F	REV PER EC 0410-95-96	01 MAR 97	JGH
						G	REV PER EC 0410-281-97	28 SEP 97	JGH
						H	REV PER EC 0410-410-97	05 FEB 98	JGH

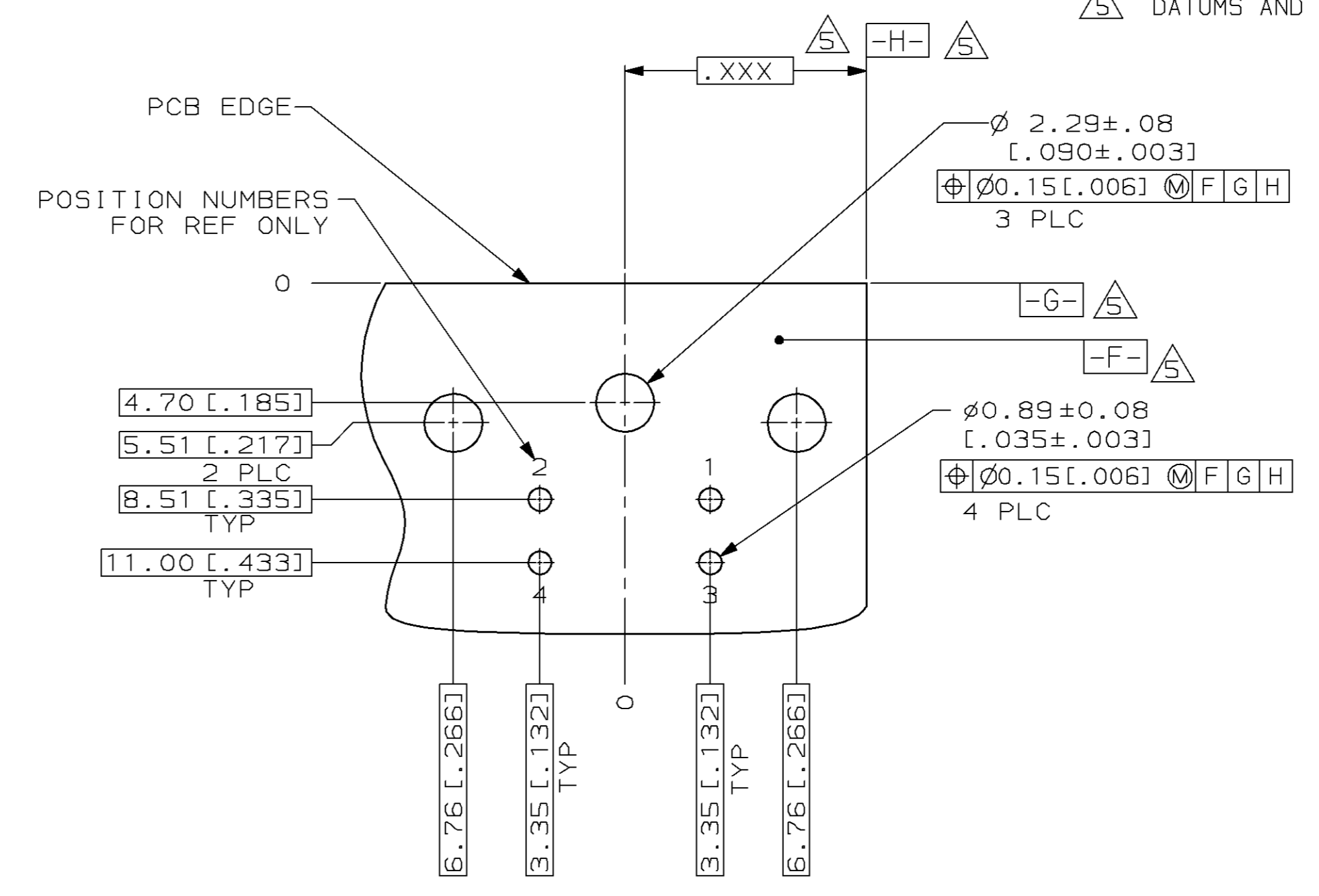
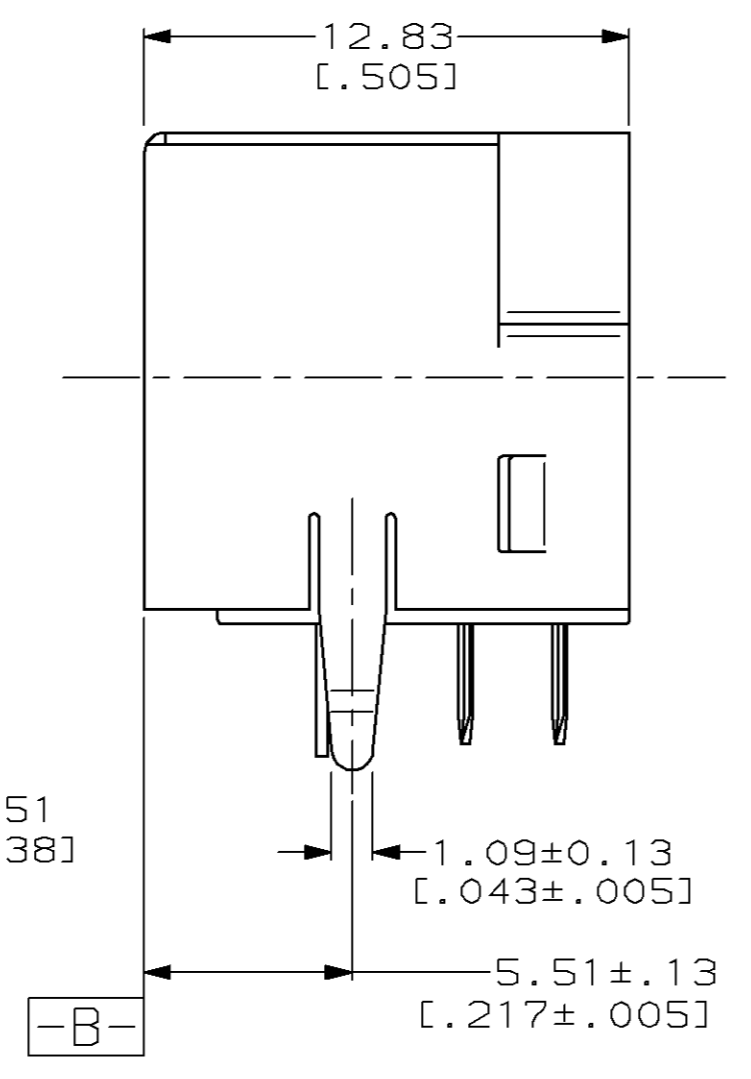
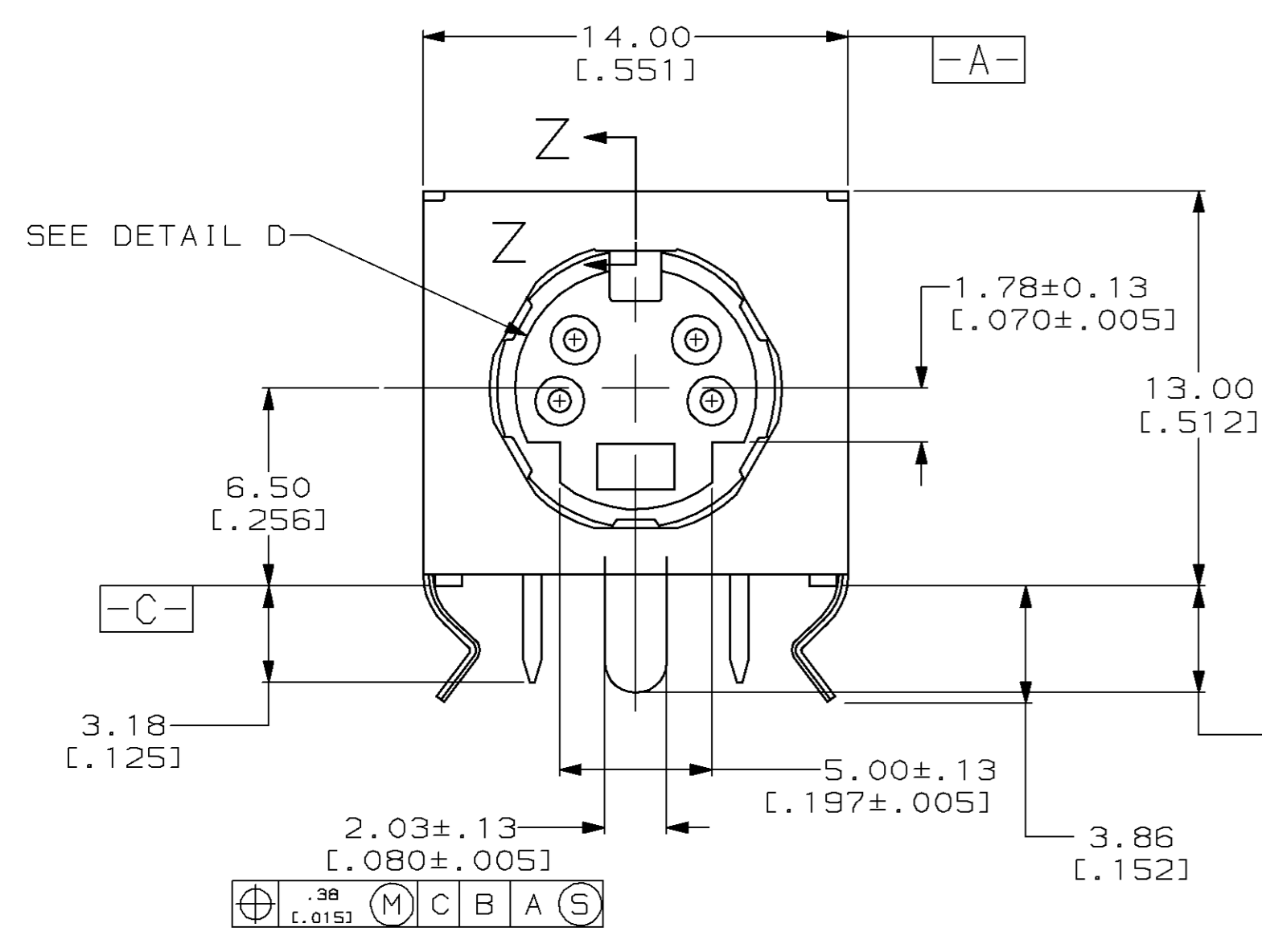


SECTION Z-Z
SCALE 10:1

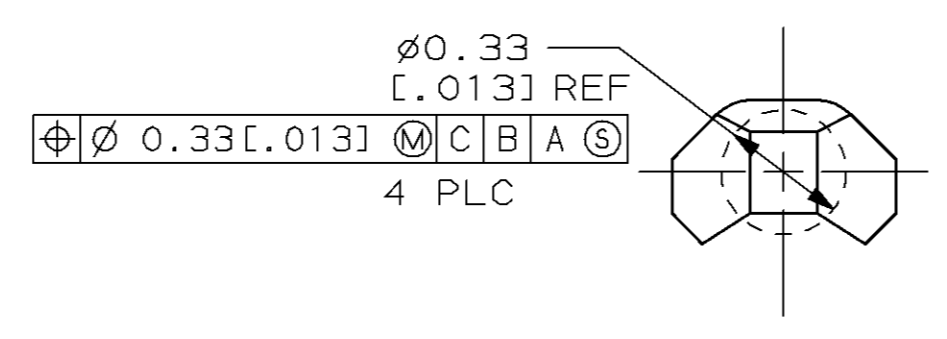
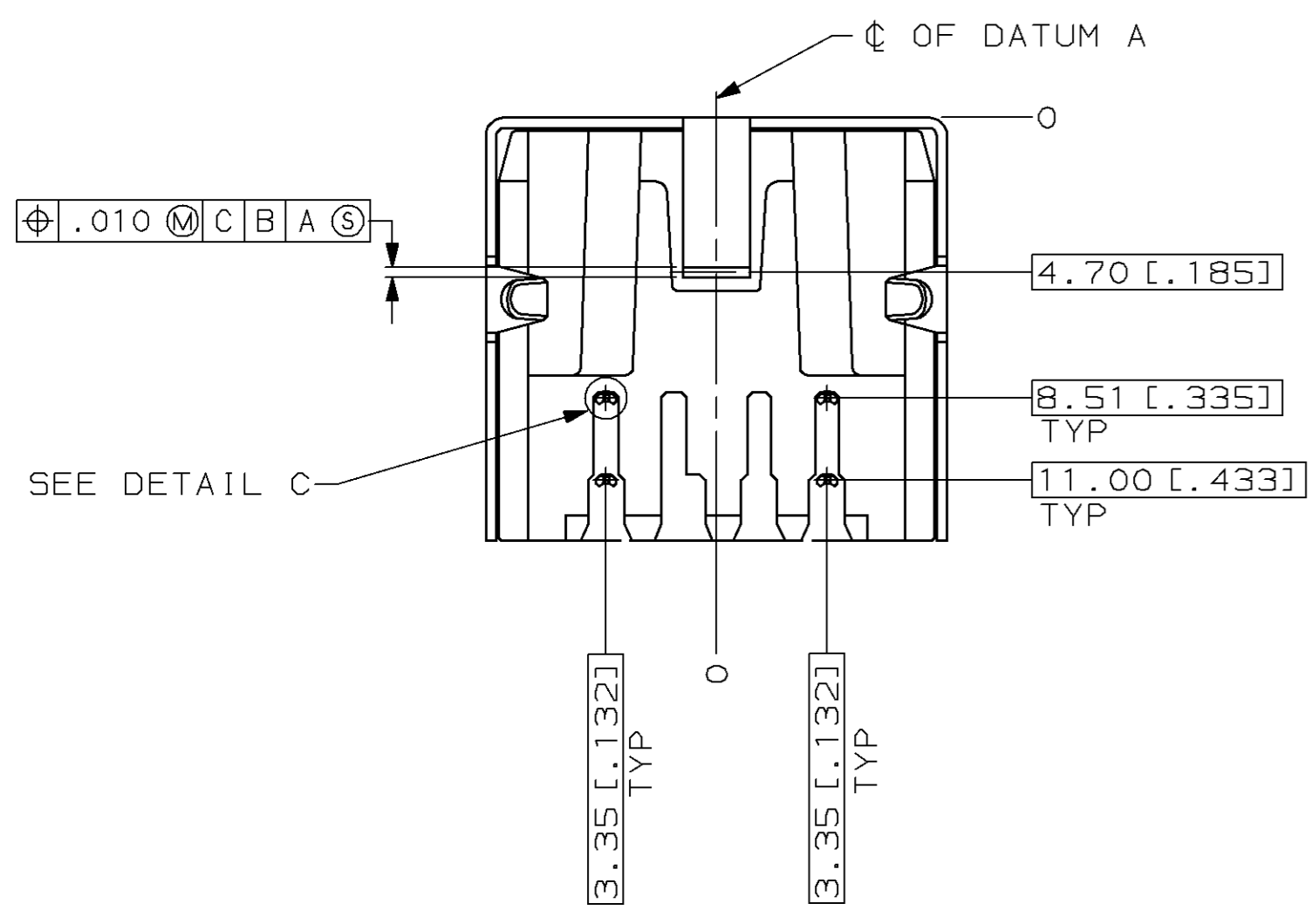


DETAIL D
4 PIN FACE

- ① RECEPTACLE CONTACTS: COPPER ALLOY.
RECEPTACLE SHIELD: COPPER ALLOY.
HOUSING: THERMOPLASTIC, BLACK, 94V-0 RATED.
- ② PLATING:
RECEPTACLE CONTACTS - GOLD FLASH PLATED ON MATING END, TIN-LEAD PLATED .0030 MIN [0.000120 MIN] THICK ON SOLDER TAIL ALL OVER .0013 MIN [0.000050 MIN] THICK NICKEL.
- ③ PLATING:
SHIELD: 1.50-4.00µm [0.000059-.000158] THICK BRIGHT TIN.
- 4. RECEPTACLE ASSEMBLY MATES WITH 4 PIN 9.00±.10 [0.354±.004] DIAMETER PLUG.
- ⑤ DATUMS AND BASIC DIMENSION SUPPLIED BY CUSTOMER.



4 PIN PCB LAYOUT
BOTTOM VIEW



DETAIL C
SCALE 50:1

DO NOT SCALE PRINT. UNLESS SPECIFIED DIMENSIONS IN mm [INCHES] TOLERANCES ON: 1 PLC DEC ± 0.381 [0.015] 2 PLC DEC ± - 3 PLC DEC ± 0.381 [0.015] ANGLES ± 0°30'		DR 1-24-89 P. COSMOS	<p style="text-align: center;">AMP AMP INCORPORATED Harrisburg, Pa. 17105</p>
MATERIAL	APPD 1-24-89 B.H. MOSSER	NAME	
FINISH	APPD 1-24-89 E.C. MYERS	RECEPTACLE ASSY W/HOLD DOWN, 4 POS, RIGHT ANGLE, MINIATURE CIRCULAR DIN	
PRODUCT SPEC 108-1225	APPLICATION SPEC	SIZE D	FSCM NO 00779
WEIGHT		SCALE 5:1	DRAWING NO 749230
			SHEET 1 OF 1

749230-1
PART NO