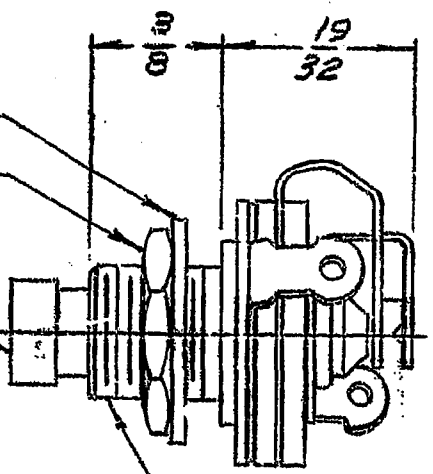


FAR

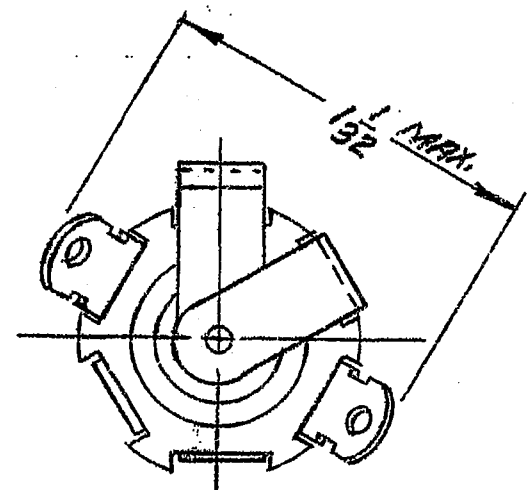
101

5/8 O.D. STL. WASHER  
NI. PL.  
1/2 NUT BRASS  
PL.

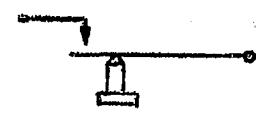
PUSHBUTTON  
( RED )



3/8-32 UNEF-2A THD.



CUSTOMER DRAWING



SCHEMATIC

MATERIALS:

1. BUSHING - BRASS - NI. PL.
2. SPRINGS - NI. SIL. - SPE. TEMP.
3. SPACERS - PAPER BASE PHENOLIC

DATE	BY	REVISION	IS
5-14-64	REDGANN	ECO 14111	1
5-19-64	LG	ECO 30627	2
			3
			4
			5
			6
			7
			8
			9
			10
			11
			12

THIS DRAWING DESCRIBES A DESIGN CONSIDERED PROPRIETARY IN NATURE, DEVELOPED AND MANUFACTURED BY SWITCHCRAFT, INC., AND IS RELEASED ON A CONFIDENTIAL BASIS FOR IDENTIFICATION PURPOSE ONLY.

**UNLESS OTHERWISE SPECIFIED:**

- 1 - DECIMAL DIMENSIONS ± .008
- 2 - FRACTIONAL DIMENSIONS ± 1/64
- 3 - ANGLES ± 1/2°
- 4 - ALL DIA'S CONCENTRIC WITHIN .008 T.I.R.
- 5 - ALL DIMENSIONS IN INCHES
- 6 - FOR THREADS USE UNIFIED PLUG AND RING GAGES ONLY.
- 7 - REMOVE ALL BURRS.
- 8 - PART TO BE FABRICATED AS SPECIFIED. MAKE NO DIMENSIONAL ALLOWANCES FOR APPLIED FINISHES, I.E., PLATING, PAINTING, ETC.
- 9 - HOLES ON SAME CENTERLINE MUST BE ALIGNED WITHIN ± .002

**DO NOT SCALE DRAWING**

DRAWN BY <i>S. L. S.</i>	DATE 5-5-64	FINISH
CHECKED BY <i>C. J. W.</i>	DATE 5-14-64	PER FINISH SPEC. NO.
APPROVED BY <i>LG</i>	DATE 5-19-64	MATERIAL
SCALE 2:1	FIRST USED ON	PER MAT. SPEC. NO.
<b>SWITCHCRAFT</b>		
NAME NON-LOCKING LITEL SWITCH	PART NO. 101	ISSUE B
SHEET OF		