

TPCM 201610



Sample image

Order symbol: TPCM 201610

Product nbr: 5824025

Description: Enclosure. PC

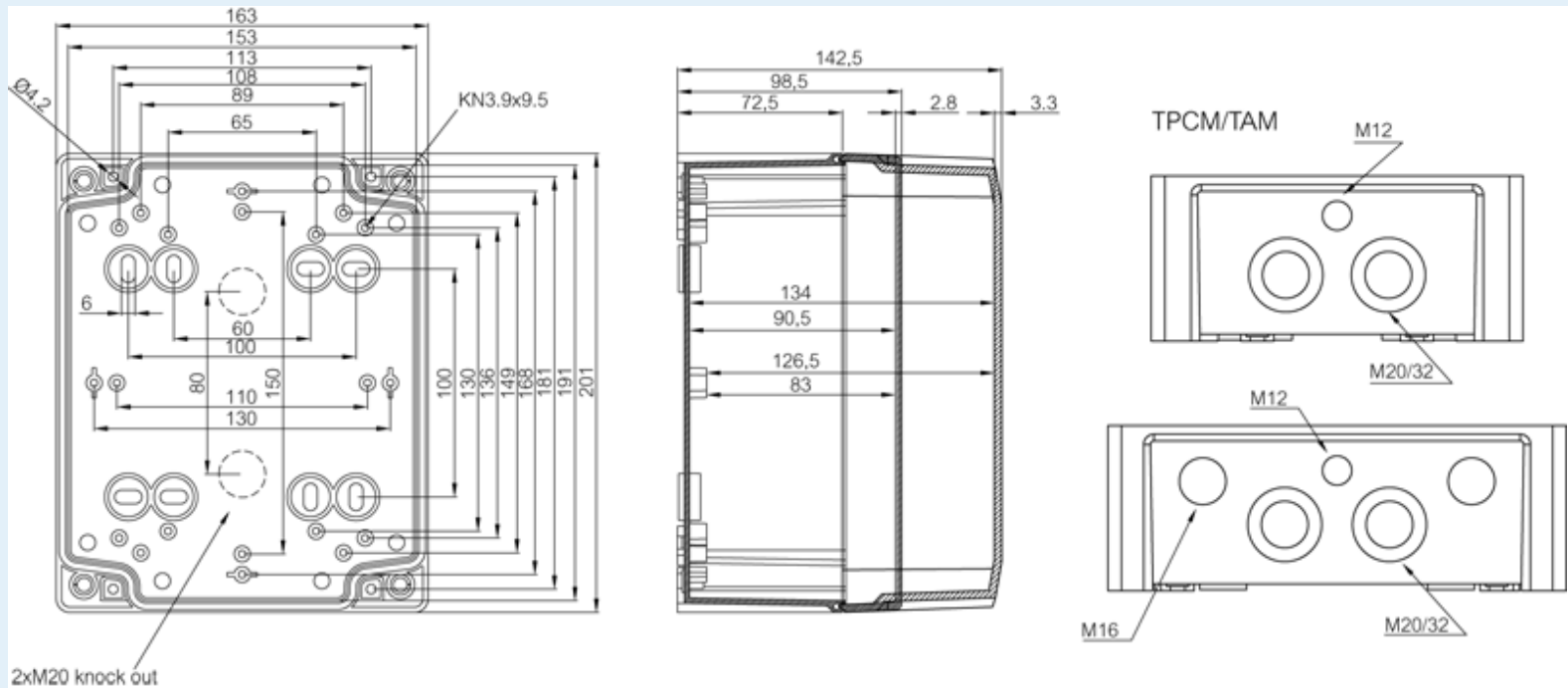
Remarks: Opaque cover

EAN: 6418074087171

Including:

El. number:

- Finland:
- Denmark:
- Sweden:



Dimensions: **Height** **Width** **Depth**

mm:	201	163	99
inch:	7.91	6.42	3.9

Materials:

Material: Polycarbonate
 Base colour:
 Cover colour:
 Gasket material:

Accessories:

ARH 2320	DIN-35 Mounting rail. for enclosures: (180 x 35 x 1)
MP 2016	Mounting plate. for enclosures: (155 x 140 x 0)
DH-3	DIN-35 Mounting rail. for enclosures: (140 x 35 x 1)
FP 10674	Mounting foot kit (2 pcs) incl. screws

Rating:

Ingress protection (EN 60529):	IP65;
Impact Resistance (EN 62262):	IK07; IK08;

Temperatures:

Temperature °C (short term)::	-40 ... 120
Temperature °C (continuous):	
Temperature °F (short term):	-40 ... 250
Temperature °F (continuous):	-40 ... 175

Electrical insulation:	Totally insulated
Halogen free (DIN/VDE 0472, Part 815):	1
UV resistance:	-
Flammability Rating:	UL 746C 5"
Glow Wire Test (IEC 695-2-1) °C:	960 °C
NEMA Class	

Certificates:

Certificate FI 40343