



- 10/100/1000 Gigabit Base-T for Ethernet Applications
- Transmit open circuit inductance (OCL): 350 $\mu$ H (MIN @ 100KHz, 0.1Vrms with 8mA DC Bias)
- Meets IEEE 802.3 specification
- Standard Operating Temp: 0°C to +70°C
- RJ45 jack cavity conforms to FCC rules and regulations Part 68, SUB Part F



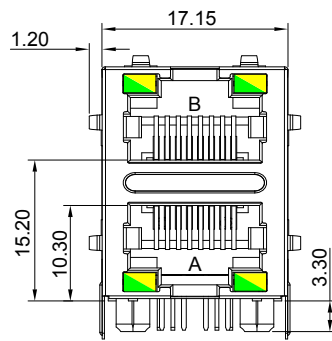
Electrical Specifications @ 25°C				
OCL( $\mu$ H Min) @ 100KHz, 0.1V With 8mA DC Bias	Turns Ratio ( $\pm$ 3%)	Return Loss (dB Min)		
		1-30MHz	30-60MHz	60-80MHz
350	1CT:1	-18	-13.5	-12

Electrical Specifications @ 25°C				
Insertion Loss (dB Max)	Cross Talk (dB Min)	DCR ( $\Omega$ ) Max	CMR (dB Min)	HiPot
1-100 MHz	1-100MHz		1-100MHz	Vrms Min
-1.0	-25	1.2	-30	1500

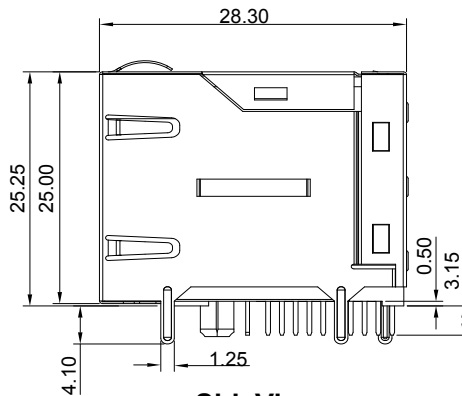
\*All specifications subject to change without notice.

## MECHANICAL

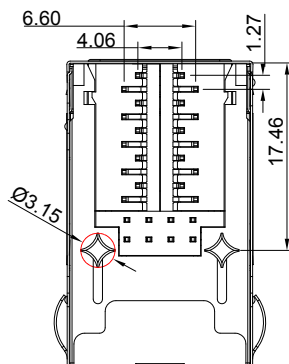
Dimensions: mm



Front View



SideView



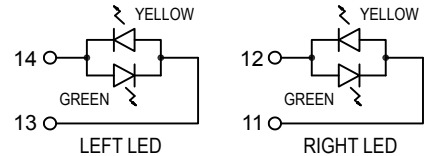
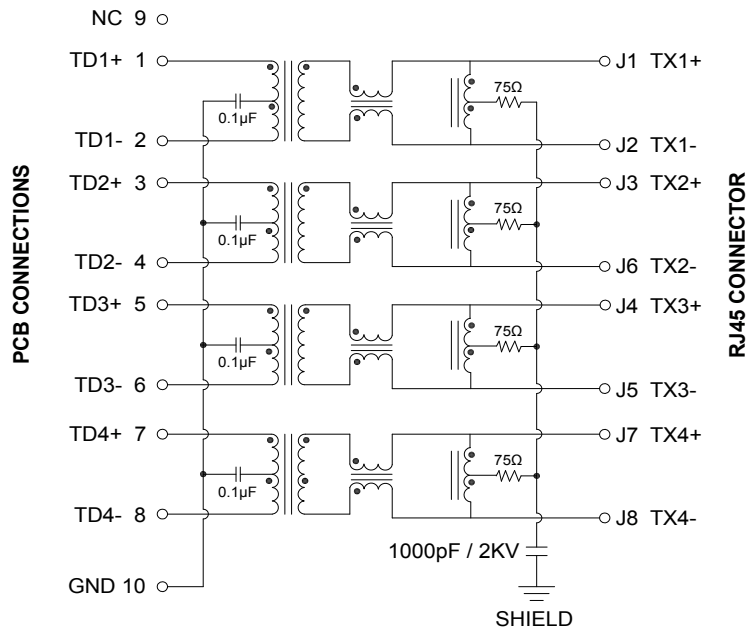
BottomView



Top View

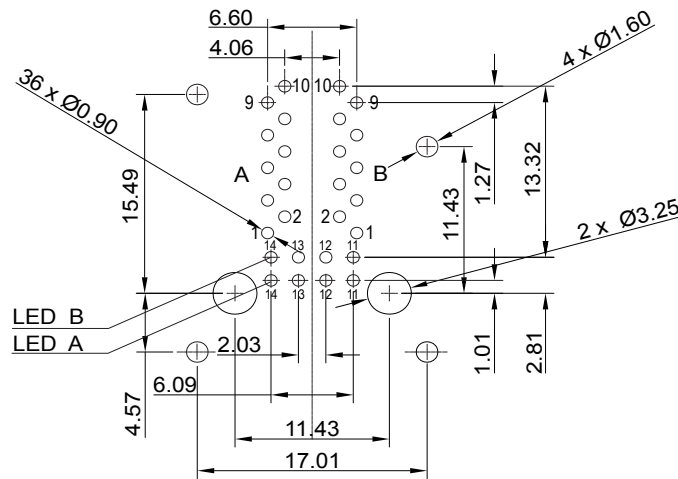


**SCHEMATICS**



Emitting Color	$\lambda_p$ (nm)	$V_F@I_F=20mA$	$I_R@V_R=5V$
GREEN	565	1.8-2.4V	10 $\mu$ A Max
YELLOW	585	1.8-2.4V	10 $\mu$ A Max

**PCB LAYOUT**



**NOTES**

- Connector Materials:  
 Housing Material: Thermoplastic PBT+30%G. F UL94V-0  
 Contact Material: Phosphor Bronze C5210R-EH Thickness 0.35mm  
 Pins: Brass C2680R-H Thickness 0.35mm  
 Shield: Copper Alloy Brass H65Y Thickness 0.20mm  
 Shield Plating: Nickel  
 Contact Plating: Gold 6 $\mu$ ” min in contact area
- Wave Solder Tip Temperature: 265°C Max, 5 Sec Max