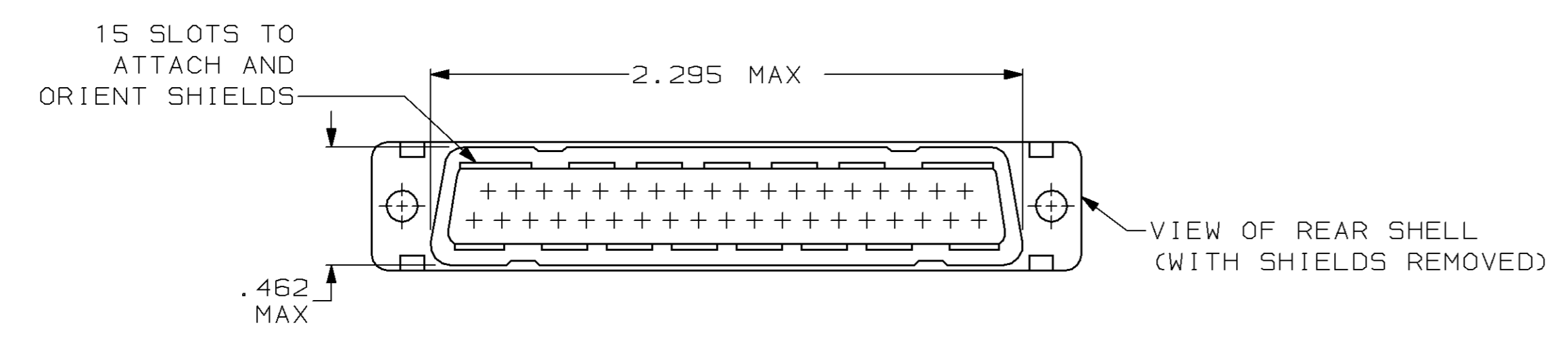
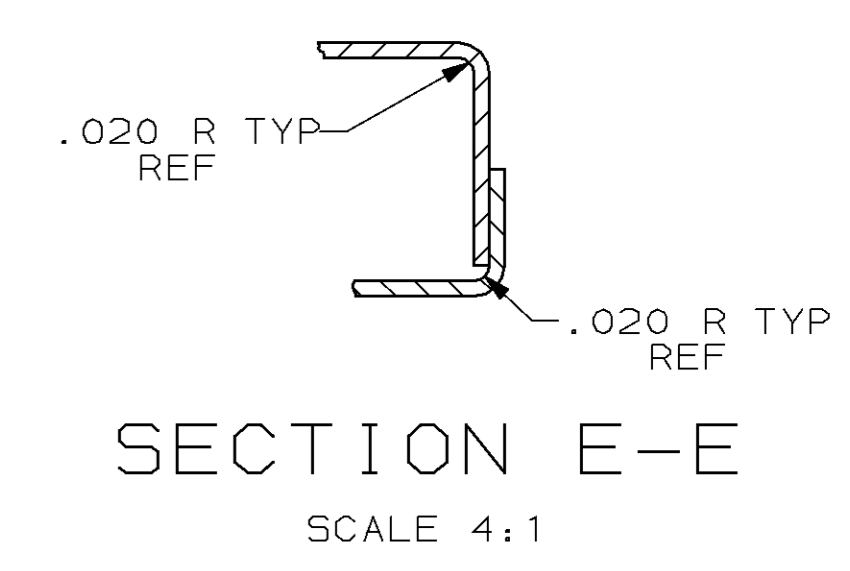
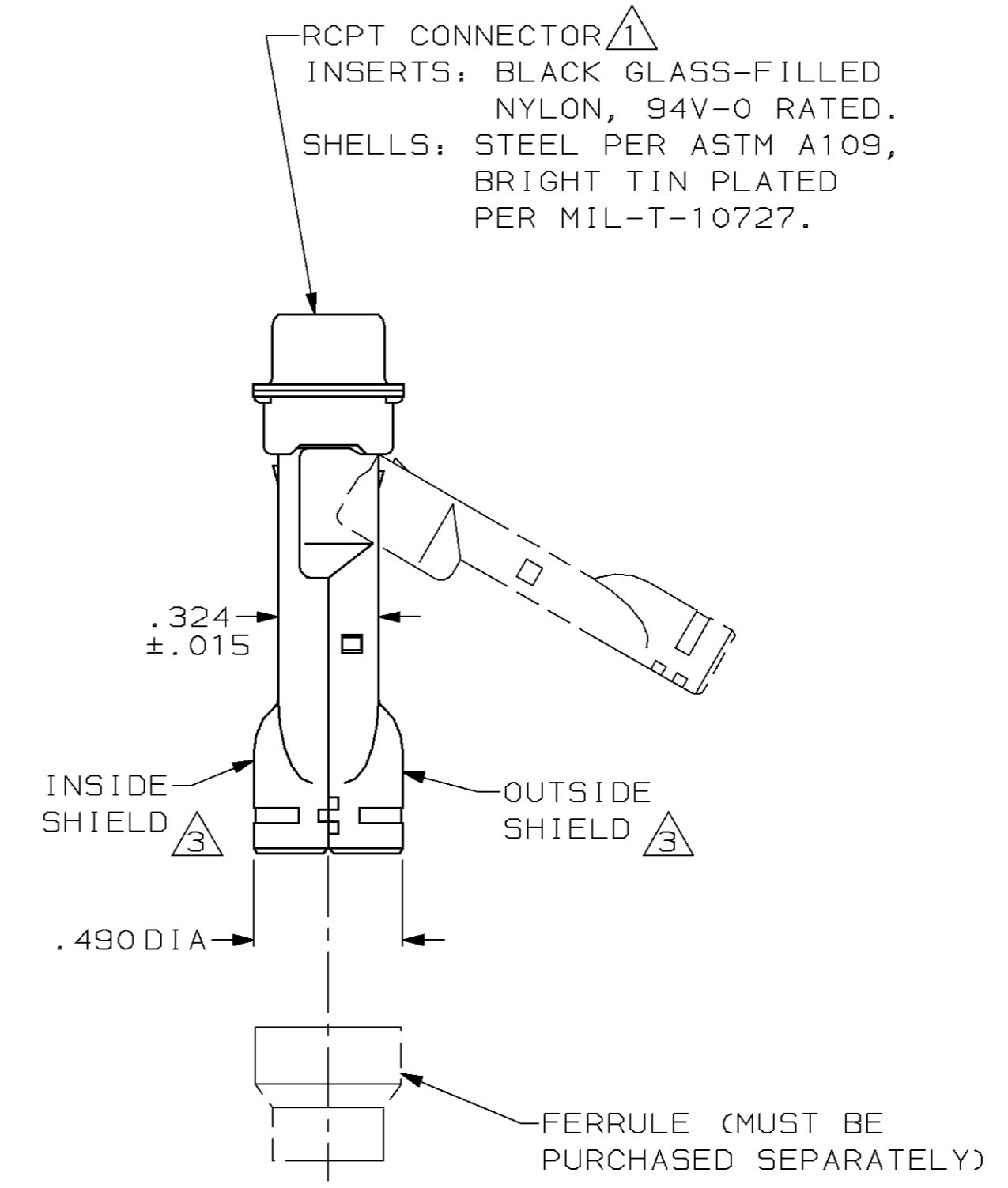
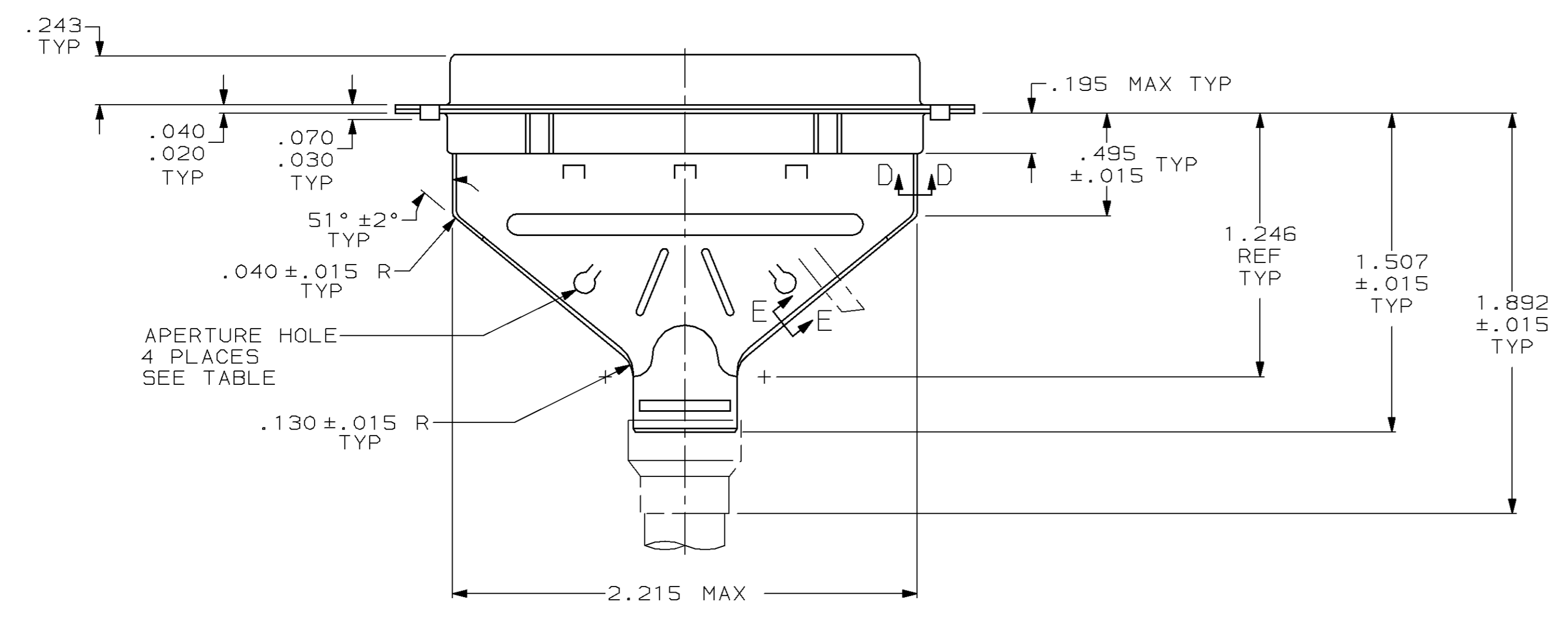
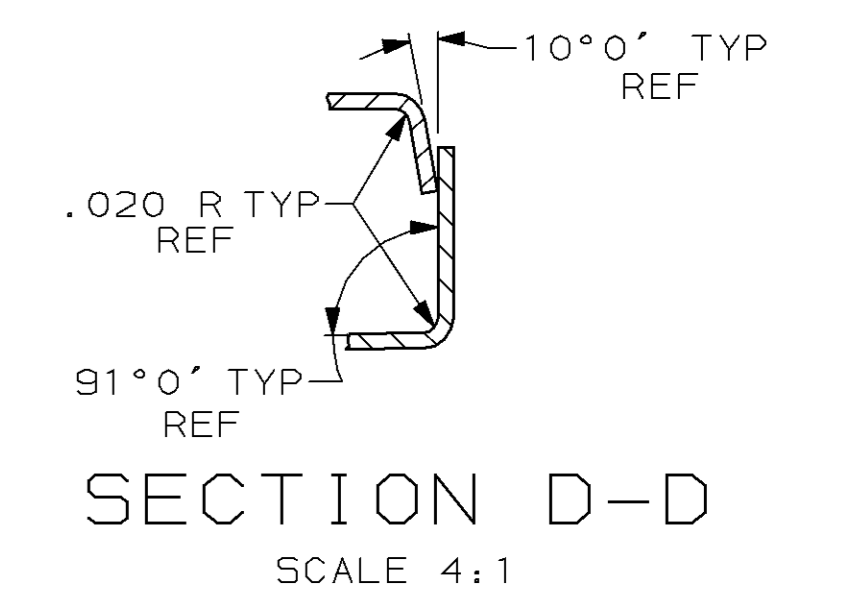
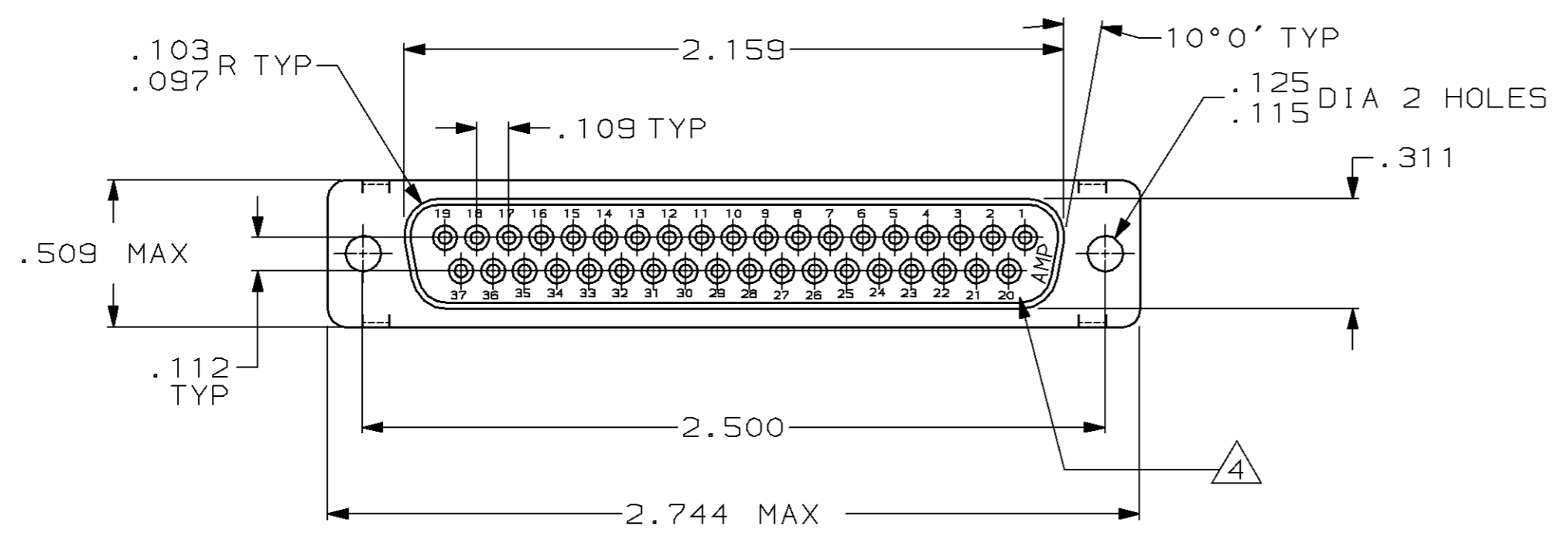


LOC		DIST		P		F		ZONE		LTR		REVISIONS			
BD	48											DESCRIPTION	DATE	APPD	
												A	REDRAWN	6/1/90	-
												B	REV PER ECN BD4493	12/18/90	-
												C	ADDED-2 NPR3889 WAS 91-5788-5-1	01/02/92	TMS
												D	OBS -2 PER ECN BD5856	01/17/92	TMS
												E	REACTIVATED -2 PER NPR 3975	02/14/92	TMS
												F	OBS -2 PER EC 0020-724-95	11 MAR 96	JCS



- △ RCPT ACCEPTS SIZE 20 SOCKET CONTACTS (CONTACTS MUST BE ORDERED SEPARATELY).
- 2. ALL PARTS SHIPPED UNASSEMBLED, EACH PART INDIVIDUALLY BULK PACKED.
- ③ SHIELDS: MATERIAL-.020 THICK STEEL, TIN PLATED PER MIL-T-10727.
- ④ RAISED CAVITY IDENTIFICATION AND AMP TRADEMARK.

OBSOLETE	WITHOUT	747571-2
	WITH	747571-1
APERTURE HOLE		PART NUMBER

DO NOT SCALE PRINT. UNLESS SPECIFIED DIMENSIONS IN MILLIMETERS		DR 6/1/90 A. STAUB BG		AMP INCORPORATED Harrisburg, Pa. 17105	
TOLERANCES ON:		CHK 8-31-90 J. McCLINTON			
2 PLC DEC ± -		APPD 9-4-90 BOB TAYLOR		NAME	
3 PLC DEC ± .005		APPD 9-4-90 J. ASSINI		KIT, RCPT, SHIELDING HARDWARE, SIZE 4, 37 POSN, HDP-20, AMPLIMITE™	
ANGLES ± 0°30'		PRODUCT SPEC		DRAWING NO	
SEE CALL OUT ③		APPLICATION SPEC		SIZE	FSCM NO
SEE CALL OUT ③		-		D	00779
		WEIGHT		SCALE	DRAWING NO
		-		2:1	747571
					SHEET
					1 OF 1