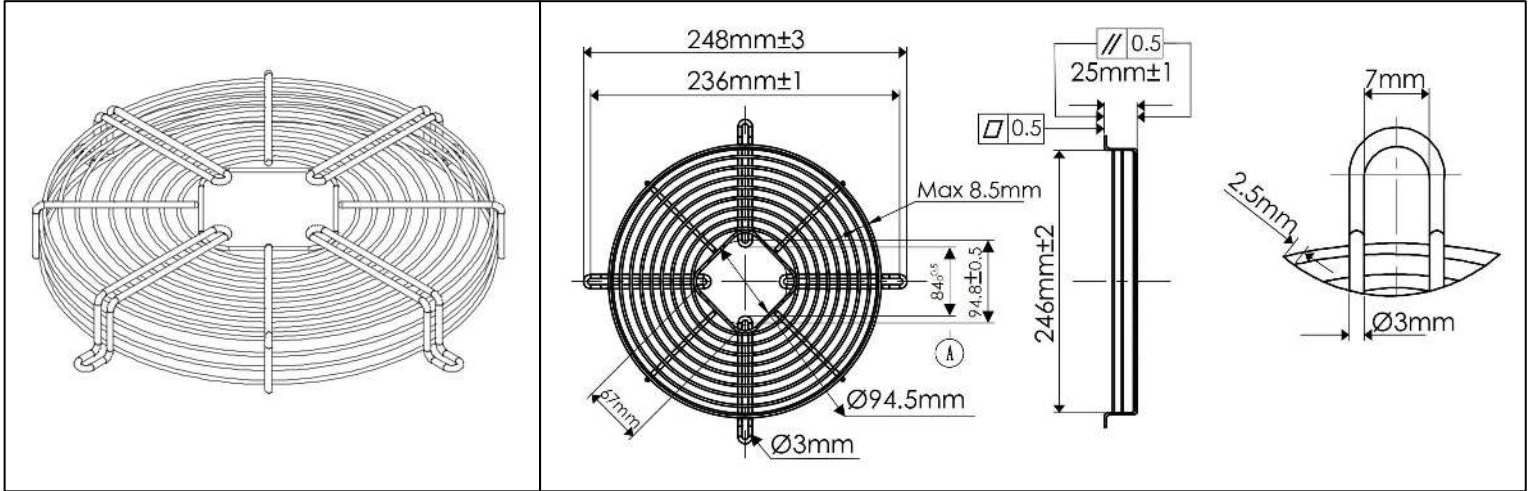


G200-25



Impeller Grille for OAM Open Frame Motor Series



| | |
|-----------------------|---------------------|
| Material | Steel, Black Finish |
| Mount Hole Spacing | 216~236mm |
| Height | 25mm±1 |
| Max Fastener Diameter | 7mm |
| Grid Wire Spacing | ≤ 8.5mm |