

207377-1 ✓ ACTIVE

METRIMATE

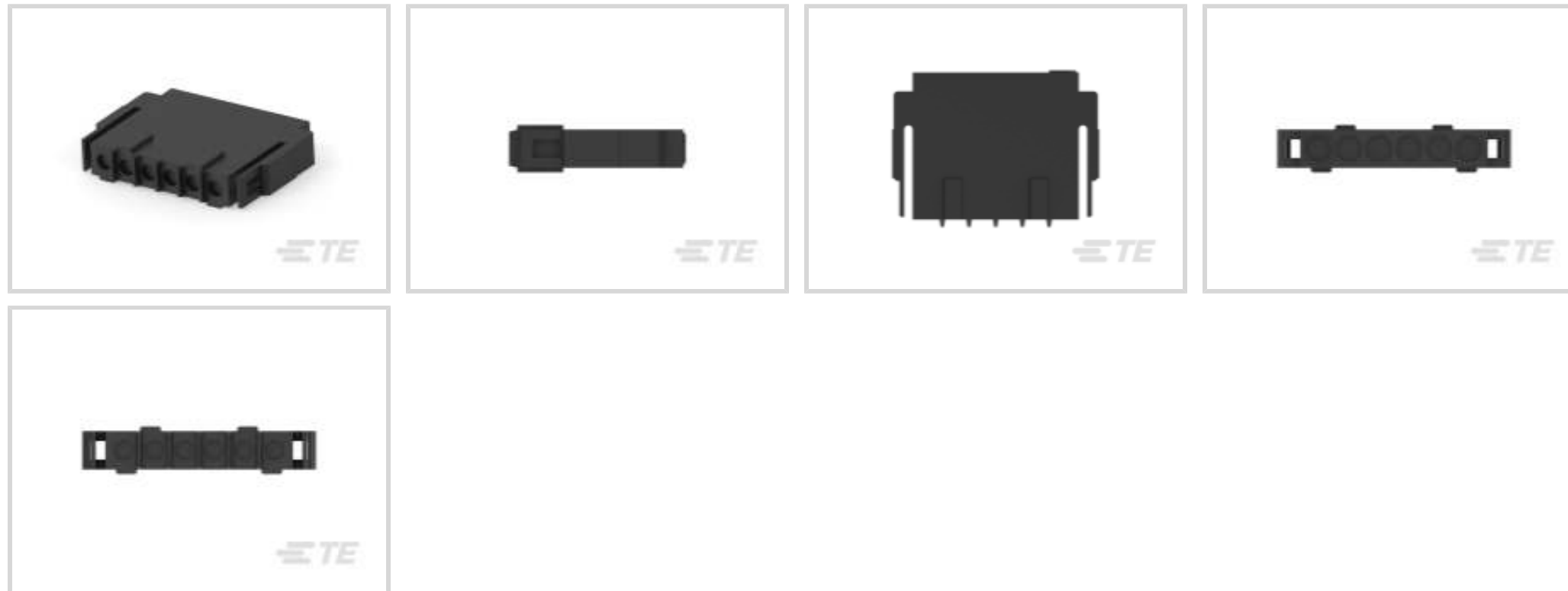
TE Internal #: 207377-1

Rectangular Connector Housings, Wire-to-Wire / Wire-to-Board, 6 Position, .197 in [5 mm] Centerline, 1 Row, PA 66, Plug, Socket

[View on TE.com >](#)



Connectors > Rectangular Connectors > Rectangular Connector Housings



Connector System: **Wire-to-Board, Wire-to-Wire**

Number of Positions: **6**

Centerline (Pitch): **5 mm [.197 in]**

Number of Rows: **1**

Housing Material: **PA 66**

Features

Product Type Features

Compatible With Discrete Wire Type	Stranded
Connector System	Wire-to-Board, Wire-to-Wire
Connector & Housing Type	Plug
Sealable	No
Connector & Contact Terminates To	Printed Circuit Board, Wire & Cable

Configuration Features

Compatible With Wire & Cable Type	Discrete Wire
Number of Positions	6
Number of Rows	1

Electrical Characteristics

Operating Voltage	600 VAC
-------------------	---------

Contact Features

Contact Layout	Inline
Contact Type	Socket

Contact Current Rating (Max)	14 A
------------------------------	------

Mechanical Attachment

Connector Mounting Type	Cable Mount (Free-Hanging)
-------------------------	----------------------------

Housing Features

Housing Color	Black
---------------	-------

Centerline (Pitch)	5 mm [.197 in]
--------------------	----------------

Housing Material	PA 66
------------------	-------

Dimensions

Product Width	7.85 mm
---------------	---------

Product Length	38.7 mm
----------------	---------

Row-to-Row Spacing	5 mm [.197 in]
--------------------	----------------

Usage Conditions

Operating Temperature Range	-55 – 130 °C [-67 – 266 °F]
-----------------------------	-----------------------------

Operation/Application

Circuit Application	Power & Signal
---------------------	----------------

Industry Standards

CSA Rating	LR 16455
------------	----------

Agency/Standard	CSA, UL, VDE
-----------------	--------------

Approved Standards	UL E28476
--------------------	-----------

UL Flammability Rating	UL 94V-0
------------------------	----------

Packaging Features

Packaging Quantity	250
--------------------	-----

Packaging Method	Carton
------------------	--------

Product Compliance

[For compliance documentation, visit the product page on TE.com>](#)

EU RoHS Directive 2011/65/EU	Compliant
------------------------------	-----------

EU ELV Directive 2000/53/EC	Compliant
-----------------------------	-----------

China RoHS 2 Directive MIIT Order No 32, 2016	No Restricted Materials Above Threshold
---	---

EU REACH Regulation (EC) No. 1907/2006	Current ECHA Candidate List: JUNE 2023 (235) Candidate List Declared Against: JAN 2023 (233)
--	---

Does not contain REACH SVHC

Halogen Content

Not Low Halogen - contains Br or Cl > 900 ppm.

Solder Process Capability

Not applicable for solder process capability

Product Compliance Disclaimer

This information is provided based on reasonable inquiry of our suppliers and represents our current actual knowledge based on the information they provided. This information is subject to change. The part numbers that TE has identified as EU RoHS compliant have a maximum concentration of 0.1% by weight in homogenous materials for lead, hexavalent chromium, mercury, PBB, PBDE, DBP, BBP, DEHP, DIBP, and 0.01% for cadmium, or qualify for an exemption to these limits as defined in the Annexes of Directive 2011/65/EU (RoHS2). Finished electrical and electronic equipment products will be CE marked as required by Directive 2011/65/EU. Components may not be CE marked. Additionally, the part numbers that TE has identified as EU ELV compliant have a maximum concentration of 0.1% by weight in homogenous materials for lead, hexavalent chromium, and mercury, and 0.01% for cadmium, or qualify for an exemption to these limits as defined in the Annexes of Directive 2000/53/EC (ELV). Regarding the REACH Regulation, the information TE provides on SVHC in articles for this part number is based on the latest European Chemicals Agency (ECHA) 'Guidance on requirements for substances in articles' posted at this URL: <https://echa.europa.eu/guidance-documents/guidance-on-reach>

Compatible Parts



TE Part # 207378-6
METRIMATE PIN HEADER ASSY,6P



TE Part # 207583-6
MMATE PIN HDR ASSY,6P LF



TE Part # 207583-7
MMATE PIN HDR ASSY,6P LF

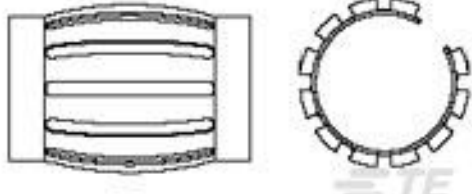


TE Part # 207378-7
METRIMATE PIN HEADER ASSY,6P



TE Part # 207376-1
HSG,RECEPT 6 POSN,METRIMATE

Customers Also Bought



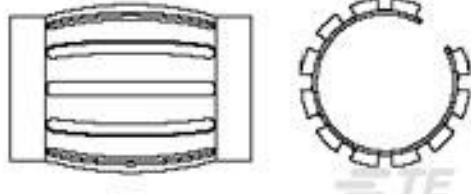
TE Part #1-192048-1
LA6 .127, .004, GOLD PL



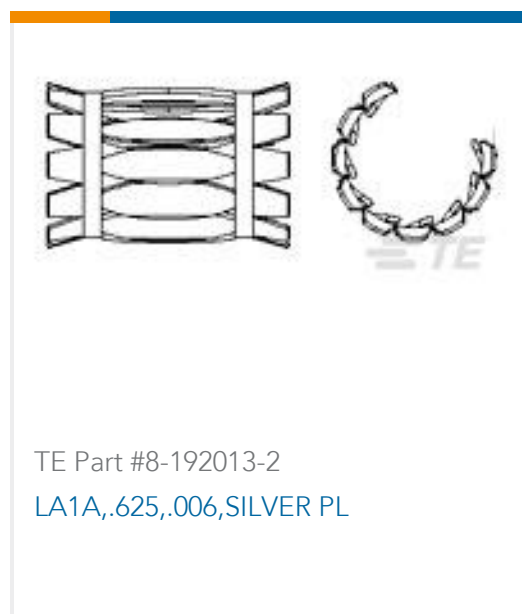
TE Part #4-192038-8
LA3,.250,.006,SILVER



TE Part #8-1393127-6
PRD-3DH0-24=PRD



TE Part #2-192042-8
BRIDGE FORMED BAND,(M) L-.32



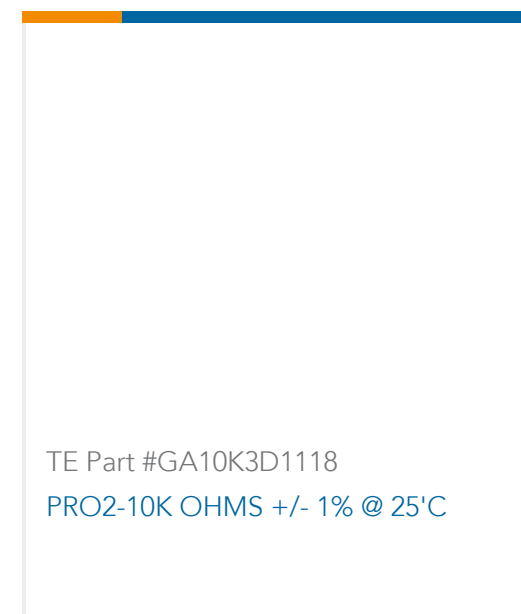
TE Part #8-192013-2
LA1A, .625, .006, SILVER PL



TE Part #1618241-9
K81A335=RELAY, VACUUM, SPST-NO



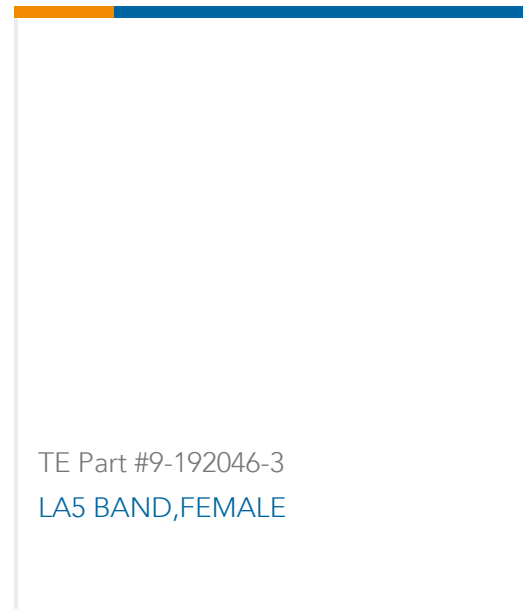
TE Part #9-1393127-2
PRD-3DR4-24=PRD



TE Part #GA10K3D1118
PRO2-10K OHMS +/- 1% @ 25°C



TE Part #2289297-7
M12 STRGT PLUG TO M12 STRGT
SOCKET AA



TE Part #9-192046-3
LA5 BAND, FEMALE

Documents

Product Drawings

[HSG, PLUG 6 POSN, METRIMATE](#)

English

CAD Files

Customer View Model

[ENG_CVM_207377-1_D1.3d_igs.zip](#)

English

Customer View Model

[ENG_CVM_207377-1_D1.3d_stp.zip](#)

English

Customer View Model

[ENG_CVM_207377-1_D1.2d_dxf.zip](#)

English

3D PDF

English

3D PDF

3D

Customer View Model

[ENG_CVM_CVM_207377-1_AK.2d_dxf.zip](#)

English

Customer View Model

[ENG_CVM_CVM_207377-1_AK.3d_igs.zip](#)

English

Customer View Model

[ENG_CVM_CVM_207377-1_AK.3d_stp.zip](#)

English



By downloading the CAD file I accept and agree to the [Terms and Conditions](#) of use.

Datasheets & Catalog Pages

[METRIMATE_PIN_SOCKET_CATALOG](#)

English

Product Specifications

[Application Specification](#)

English

[Application Specification](#)

English

[METRIMATE Self-Locking Connectors](#)

Japanese

[Application Specification](#)

Japanese

Product Environmental Compliance

[MD_207377-1_09222017453_dmtec](#)

English

[MD_207377-1_09222017453_dmtec](#)

English

Agency Approvals

[UL Report](#)

English