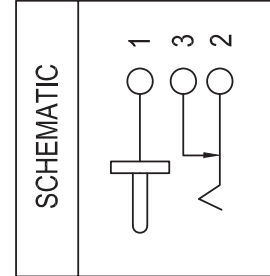
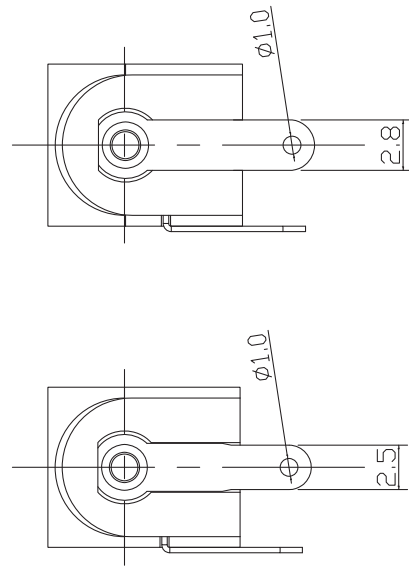
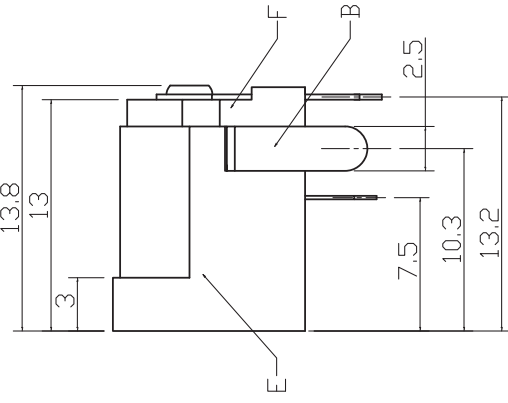
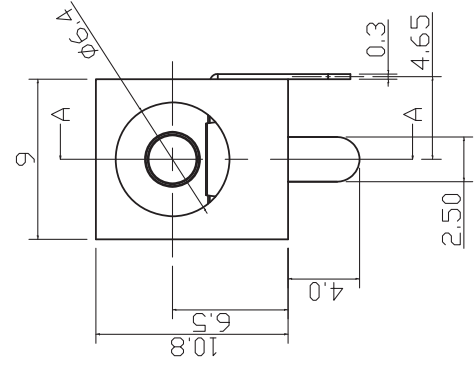


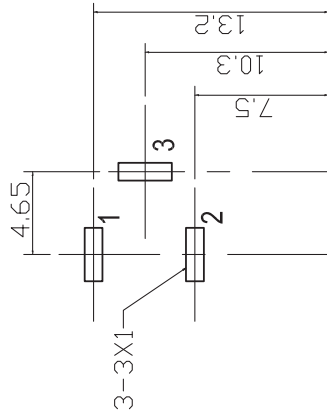
DWG. NO. JK-2457-A REV. "D"

PART NO. RDJ-005X-NL

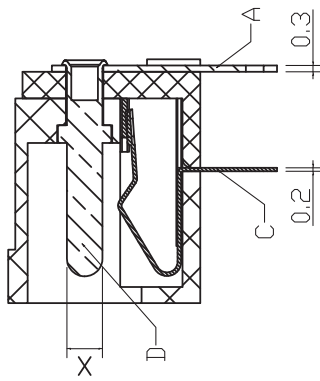


- SPECIFICATION:
- VOLTAGE RATING: DC50V
  - CURRENT RATING: 1.5A
  - CONTACT RESISTANCE: 30mΩ MAX
  - INSULATION RESISTANCE: 100mΩ MIN(DC 500V) FOR 1 SECS
  - DIELECTRIC WITHSTAND VOLTAGE: AC 500V FOR 5 SECS MIN
  - INSERTION FORCE: 1KGf MAX
  - EXTRACTION FORCE: 3KGf
  - LIFE TEST: 5000 CYCLES
  - OPERATING TEMPERATURE RANGE: -40~70°C
  - SOLDER HEAT RESISTANCE: WAVE SOLDERING 260° FOR 3 SECS

NOTE: ALL DIMS ARE IN mm.



RECOMMEND PCB LAYOUT (JACK TOP VIEW)  
TOLERANCES: ±0.05  
RECOMMEND PCB THICKNESS: 1.6mm



SEC A-A

ORDERING CHART:  
RDI P/N: RDJ-005X-NL  
PIN DIAMETER: A=∅2.0mm  
B=∅2.5mm

NO.	NAME	QTY	MATERIAL	FINISHED	REMARK
6	COVER BOARD	1	PBT		BLACK
5	HOUSING	1	PBT		BLACK
4	MANDRIL	1	H59		Ag
3	CONTACT PIN 3#	1	MANGANESE T=0.2mm		Ag
2	CONTACT PIN 2#	1	H62 T=0.3mm		Ag
1	CONTACT PIN 1#	1	H62 T=0.3mm		Ag

PROJECTION



Research Development Innovation  
RDI, Inc. 333 North Bedford Road, Suite 135, Mount Kisco, NY 10549

11-024	03/04/11	D	REVISED THE DRAWING TO NEW VIEWS	CP	AL	SCALE	NONE	TITLE	DC POWER JACK-ROHS COMPLIANT
09-128	05/04/09	C	REVISED RATING: DC 12V 1.0A TO 30V 0.5A	BILL	JY	TOLERANCE EXCEPT AS NOTED		DR: Jir	REF. P/N: RDJ-005X-NL
07-430	09/11/07	B	REVISED RATING: DC 12V 1.0A TO 30V 0.5A	VC	JY	DEC. MILLIMETERS	6 MAX.±0.2 20 MIN.±0.3	PRE- Jk	DRAWING NO. 2457
06-563	08/16/06	A	ADDED THE PIN DIMS B: ∅2.50	BM	JY	ANG.	±3°	LL	SIZE REV. D
ECN#	DATE	SYM	REVISION RECORD	AUTH	BY				

THIS DOCUMENT IS OWNED BY, AND THE INFORMATION CONTAINED IN IT IS PROPRIETARY TO, RDI. BY RECEIPT HEREOF THE HOLDER AGREES NOT TO USE THE INFORMATION AND NOT TO DISCLOSE IT TO ANY THIRD PARTY, NOR REPRODUCE THIS DOCUMENT WITHOUT THE WRITTEN CONSENT OF RDI, AND AGREES TO RETURN THIS DOCUMENT FORTHWITH UPON REQUEST.