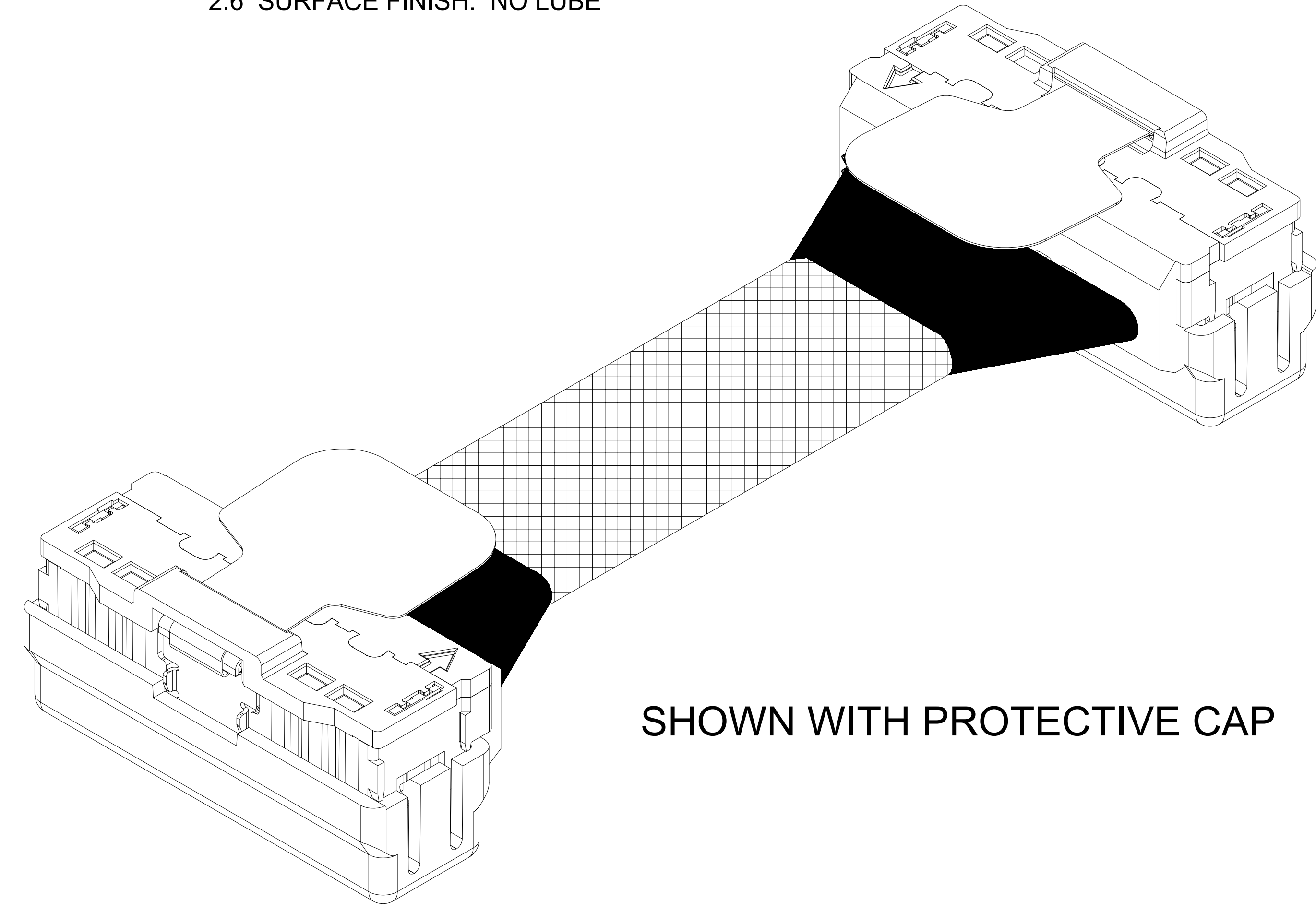


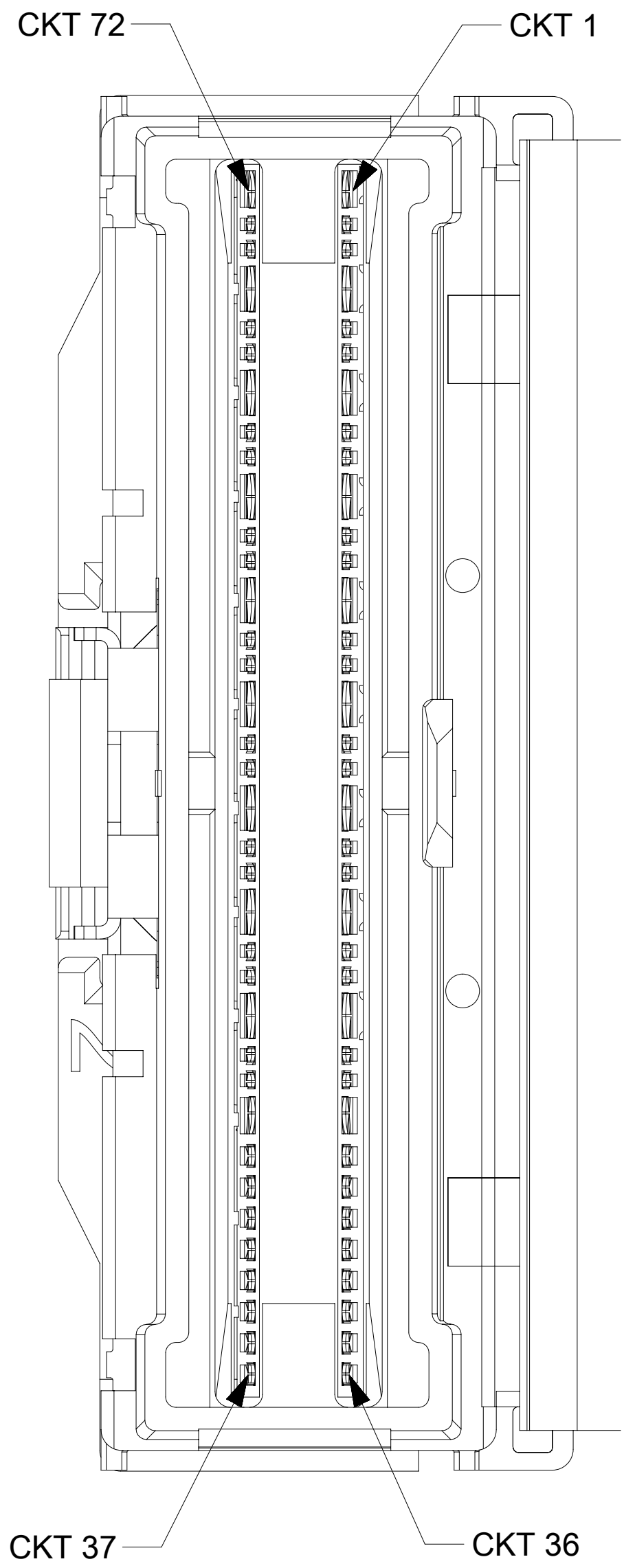
SALES DWG ASSEMBLY NOTES:

1. GENERAL:
 - 1.1 PRODUCT SPECIFICATION: 2080210001-PS
 - 1.2 TEST SUMMARY: XXXXXXXXXXXX-TS
 - 1.3 APPLICATION SPECIFICATION: 2080210001-AS
REFERENCE SPECIFICATION FOR ROUTING GUIDELINES 7 MINIMUM BEND RADIUS
 - 1.4 PACKAGING SPECIFICATION: 2160701000pddPK
 - 1.5 COSMETIC SPECIFICATION: PS-45499-002 CLASS B
 - 1.6 GEOMETRIC TOLERANCES: ASME Y14.5 2009
 - 1.7 SOLDERABILITY SPECIFICATION: N/A
 - 1.7 MATES WITH: 2080211000 & 2080211100 - 18DP 16SE (SINGLE ENDED) PLUG
2. DESIGN - MATERIALS:
 - 2.1 HOUSING MATERIAL: LCP, GLASS FILLED, UL94V-2, COLOR: BLACK
 - 2.2 CONTACT MATERIAL: HIGH PERFORMANCE COPPER ALLOY
 - 2.3 CABLE STRAIN RELIEF: THERMOPLASTIC POLYAMIDE, BLACK
 - 2.4 PROTECTIVE COVER: PP, BLUE
 - 2.5 PLATING:
SELECT GOLD IN CONTACT AREA: 0.76 MICROMETERS MIN OVER NICKEL
 - 2.6 SURFACE FINISH: NO LUBE



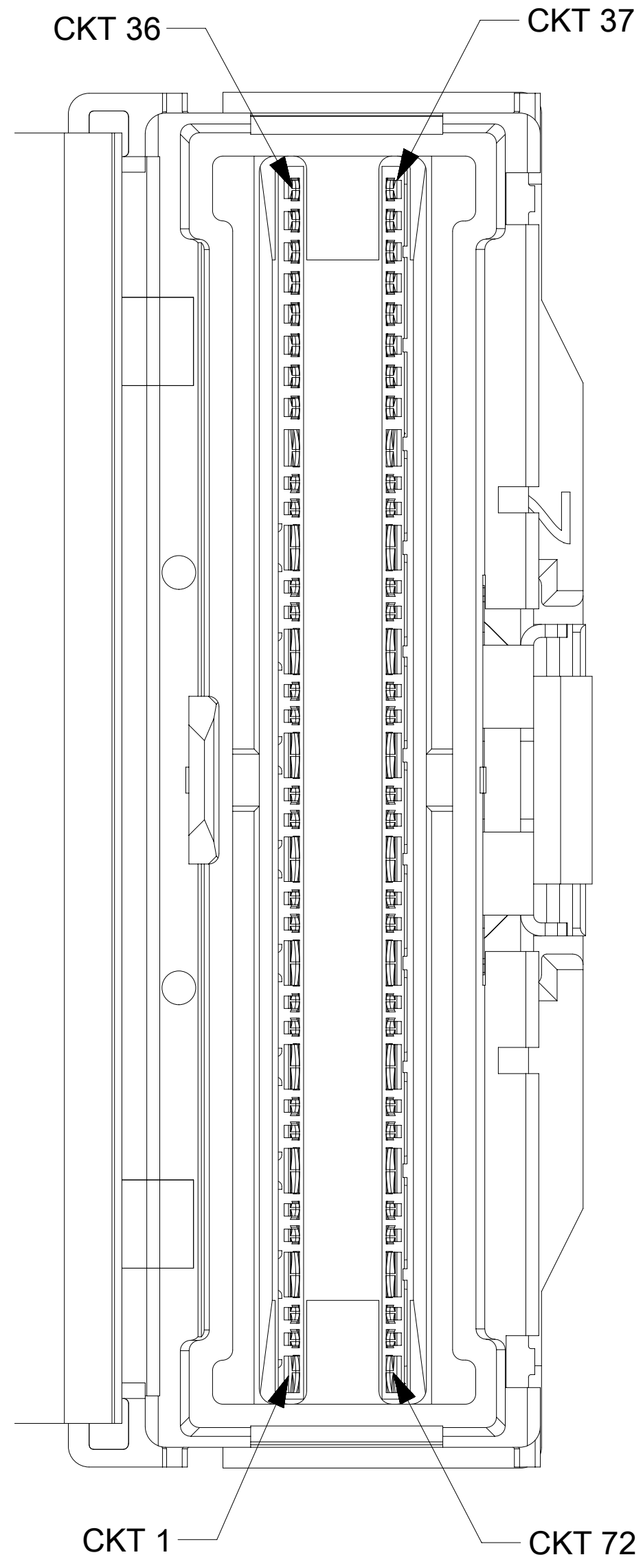
THIS DRAWING CONTAINS INFORMATION THAT IS PROPRIETARY TO MOLEX ELECTRONIC TECHNOLOGIES, LLC AND SHOULD NOT BE USED WITHOUT WRITTEN PERMISSION													
DIMENSION UNITS mm		SCALE 5:1		CURRENT REV DESC: NOTE 2.3 WAS "RETAINER: POLYCARBONATE CLEAR"				molex					
GENERAL TOLERANCES (UNLESS SPECIFIED)				EC NO: 690079									
ANGULAR TOL ± °				DRWN: TPremo 2021/12/22				NEARSTACK PCIE 18DP & 16SE CABLE ASSY					
4 PLACES ±				CHK'D: MICAB 2022/01/04				PRODUCT CUSTOMER DRAWING					
3 PLACES ±				APPR: JGONZALEZ01 2022/01/04				DOCUMENT NUMBER					
2 PLACES ± 0.15				INITIAL REVISION:				2160701000		DOC TYPE		DOC PART	
1 PLACE ±				DRWN: TIBARRA 2020/05/21				PSD		000		REVISION	
0 PLACES ±				APPR: DMCGOWAN 2020/09/17				B1					
DRAFT WHERE APPLICABLE MUST REMAIN WITHIN DIMENSIONS				THIRD ANGLE PROJECTION		DRAWING		MATERIAL NUMBER		CUSTOMER		SHEET NUMBER	
				D-SIZE		SERIES		SEE TABLE		GENERAL MARKET		1 OF 3	

P1

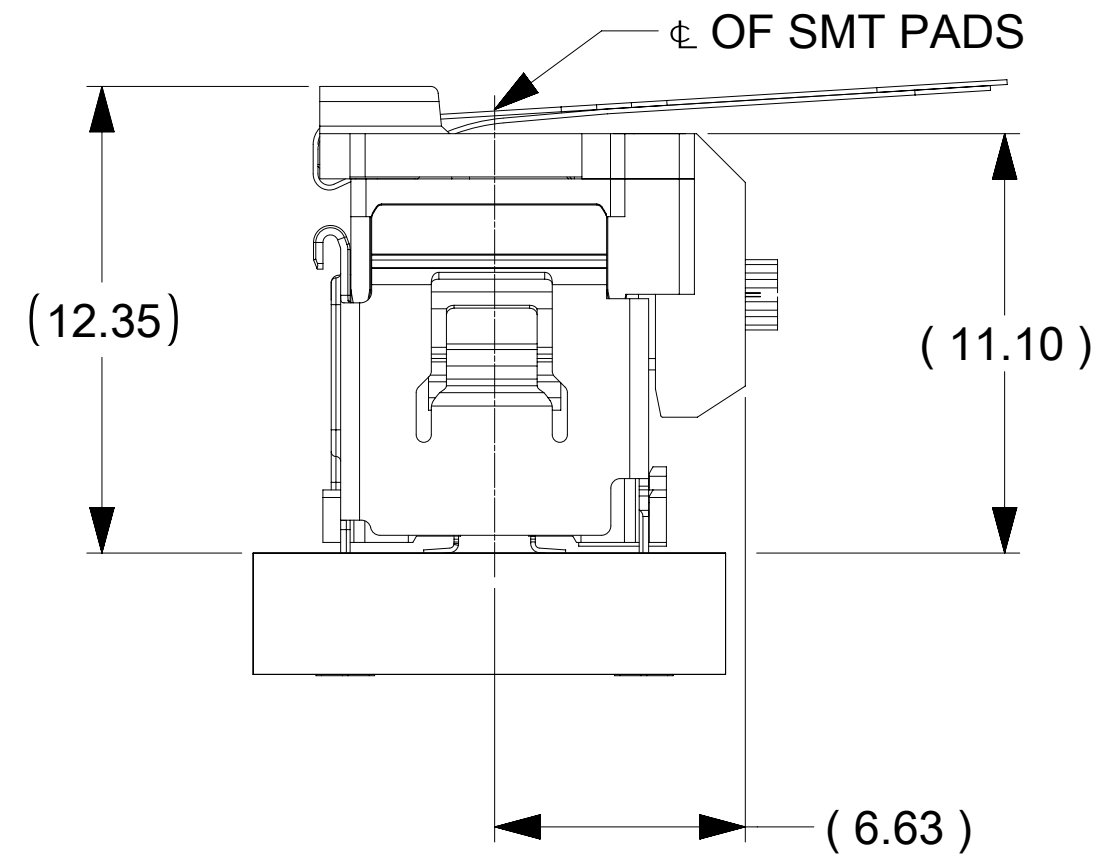
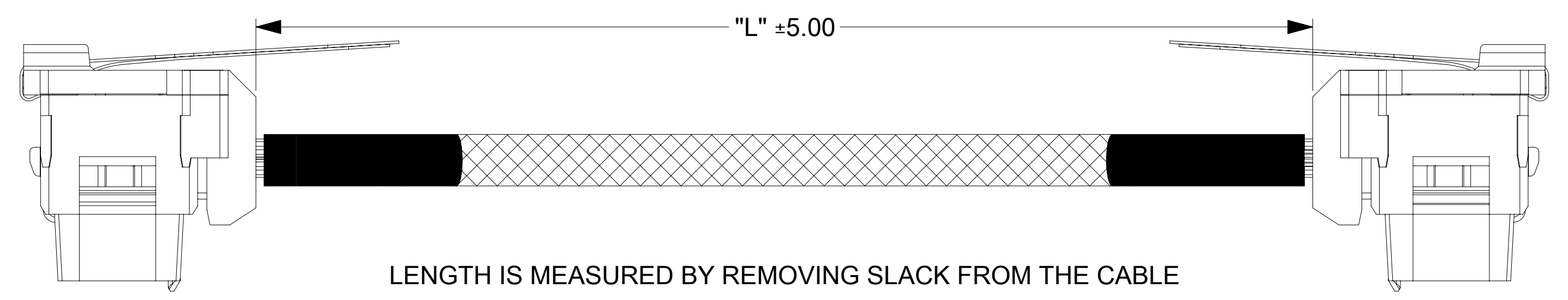


DETAIL B
SCALE 10:1

P2



DETAIL C
SCALE 10:1



THIS DRAWING CONTAINS INFORMATION THAT IS PROPRIETARY TO MOLEX ELECTRONIC TECHNOLOGIES, LLC AND SHOULD NOT BE USED WITHOUT WRITTEN PERMISSION

DIMENSION UNITS	SCALE
mm	1:1
GENERAL TOLERANCES (UNLESS SPECIFIED)	
ANGULAR TOL	± °
4 PLACES	±
3 PLACES	±
2 PLACES	± 0.15
1 PLACE	±
0 PLACES	±
DRAFT WHERE APPLICABLE MUST REMAIN WITHIN DIMENSIONS	


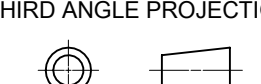
CURRENT REV DESC: NOTE 2.3 WAS "RETAINER: POLYCARBONATE CLEAR"	
EC NO: 690079	
DRWN: TPremo	2021/12/22
CHK'D: MICAB	2022/01/04
APPR: JGONZALEZ01	2022/01/04
INITIAL REVISION:	
DRWN: TIBARRA	2020/05/21
APPR: DMCGOWAN	2020/09/17
THIRD ANGLE PROJECTION	

molex			
NEARSTACK PCIE 18DP & 16SE CABLE ASSY			
PRODUCT CUSTOMER DRAWING			
DOCUMENT NUMBER	DOC TYPE	DOC PART	REVISION
2160701000	PSD	000	B1
MATERIAL NUMBER	CUSTOMER	SHEET NUMBER	
SEE TABLE	GENERAL MARKET	2 OF 3	

18DP & 16SE (SINGLE ENDED) PINOUT

P1		P2		P1		P2	
CKT		CKT		CKT		CKT	
1	GND	45	GND	37	SE	29	SE
2	S	46	S	38	SE	30	SE
3	S	47	S	39	SE	31	SE
4	GND	48	GND	40	SE	32	SE
5	S	49	S	41	SE	33	SE
6	S	50	S	42	SE	34	SE
7	GND	51	GND	43	SE	35	SE
8	S	52	S	44	SE	36	SE
9	S	53	S	45	GND	1	GND
10	GND	54	GND	46	S	2	S
11	S	55	S	47	S	3	S
12	S	56	S	48	GND	4	GND
13	GND	57	GND	49	S	5	S
14	S	58	S	50	S	6	S
15	S	59	S	51	GND	7	GND
16	GND	60	GND	52	S	8	S
17	S	61	S	53	S	9	S
18	S	62	S	54	GND	10	GND
19	GND	63	GND	55	S	11	S
20	S	64	S	56	S	12	S
21	S	65	S	57	GND	13	GND
22	GND	66	GND	58	S	14	S
23	S	67	S	59	S	15	S
24	S	68	S	60	GND	16	GND
25	GND	69	GND	61	S	17	S
26	S	70	S	62	S	18	S
27	S	71	S	63	GND	19	GND
28	GND	72	GND	64	S	20	S
29	SE	37	SE	65	S	21	S
30	SE	38	SE	66	GND	22	GND
31	SE	39	SE	67	S	23	S
32	SE	40	SE	68	S	24	S
33	SE	41	SE	69	GND	25	GND
34	SE	42	SE	70	S	26	S
35	SE	43	SE	71	S	27	S
36	SE	44	SE	72	GND	28	GND

18DP & 16SE CABLE ASSEMBLY	
MATERIAL #	"L"
2160700250	250
2160700300	300
2160700400	400
2160700500	500
2160700600	600
2160700700	700
2160700800	800
2160700900	900
2160701000	1000
2160701100	1100
2160701200	1200
2160701300	1300
2160701400	1400
2160701500	1500

THIS DRAWING CONTAINS INFORMATION THAT IS PROPRIETARY TO MOLEX ELECTRONIC TECHNOLOGIES, LLC AND SHOULD NOT BE USED WITHOUT WRITTEN PERMISSION									
DIMENSION UNITS	SCALE	CURRENT REV DESC: NOTE 2.3 WAS "RETAINER: POLYCARBONATE CLEAR"							
mm	1:1	 <p>NEARSTACK PCIE 18DP & 16SE CABLE ASSY</p> <p>PRODUCT CUSTOMER DRAWING</p>							
GENERAL TOLERANCES (UNLESS SPECIFIED)									
ANGULAR TOL	± °								
4 PLACES	±								
3 PLACES	±								
2 PLACES	± 0.15	EC NO: 690079	DRWN: TPremo 2021/12/22						
1 PLACE	±	CHK'D: MICAB	2022/01/04						
0 PLACES	±	APPR: JGONZALEZ01	2022/01/04						
DRAFT WHERE APPLICABLE MUST REMAIN WITHIN DIMENSIONS		THIRD ANGLE PROJECTION		DRAWING	SERIES	MATERIAL NUMBER	CUSTOMER	SHEET NUMBER	
				D-SIZE	216070	SEE TABLE	GENERAL MARKET	3 OF 3	
DOCUMENT STATUS		P1	RELEASE DATE	2022/01/04	20:02:48				