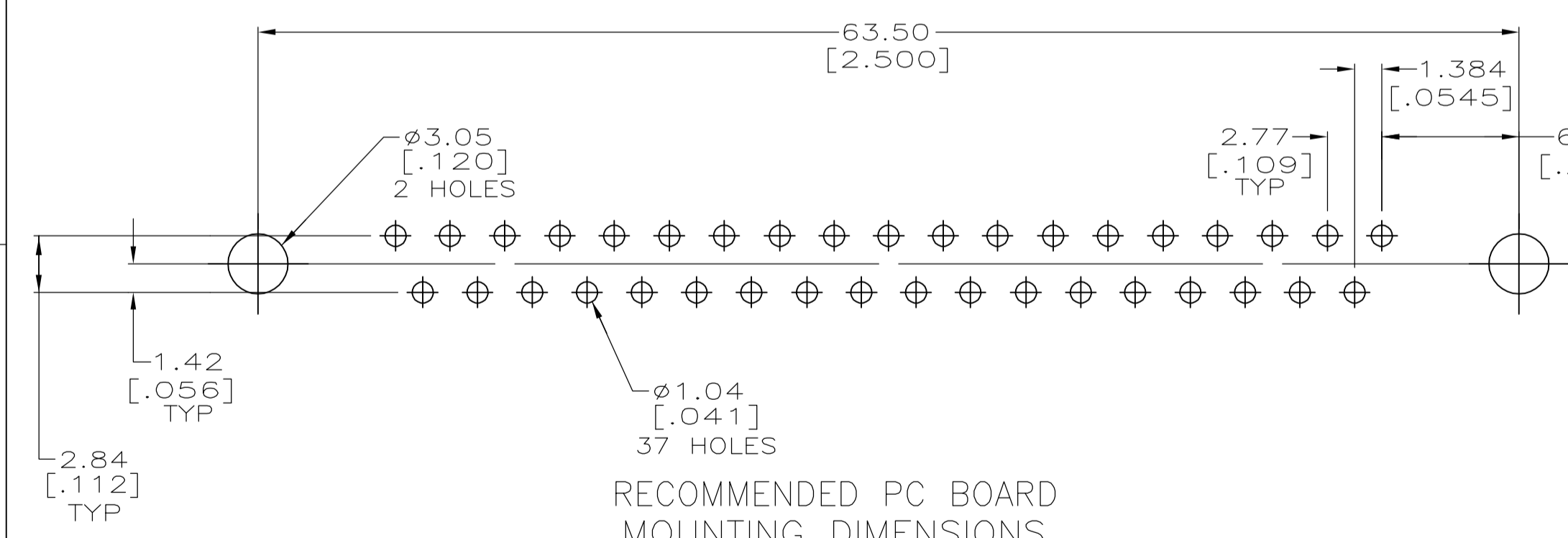
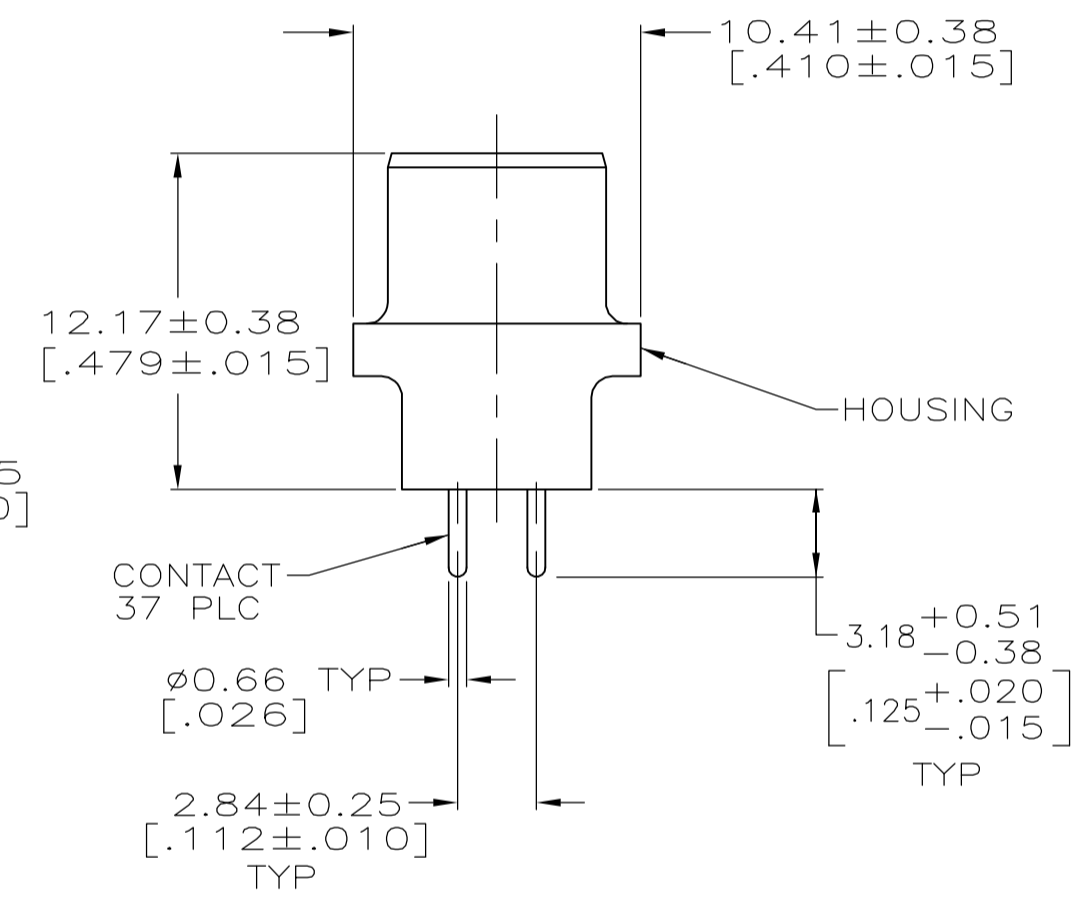
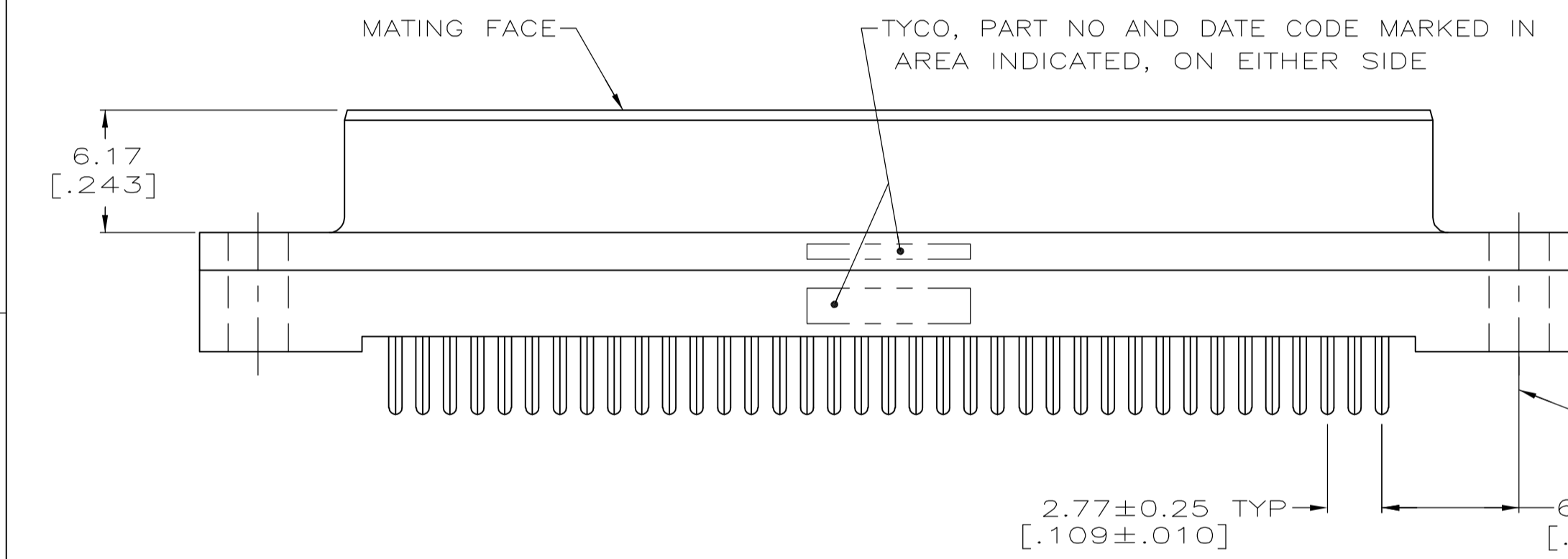


LOC	DIST	REVISIONS					
GP	00	P	LTR	DESCRIPTION	DATE	DWN	APVD
		0		RELEASED PER EC 0S13-0087-05	08SEP05	GP	JG

- 1 HOUSING: BLACK POLYESTER, UL 94V-0 RATED. CONTACTS: PHOSPHOR BRONZE.
- 2 CONTACTS: 0.76 μm [.000030] MIN GOLD FOR A LENGTH OF 2.54 [.100] MIN FROM MATING END, 2.54 μm [.000100] MIN TIN FOR A LENGTH OF 3.18 [.125] FROM OPPOSITE END, ALL OVER 1.27 μm [.000050] MIN NICKEL.



**COPYRIGHT 2005  
TYCO ELECTRONICS CORP  
ALL RIGHTS RESERVED**

THIS DRAWING IS A CONTROLLED DOCUMENT.		DWN	G.PETERS	08SEP05	<b>tyco</b> Electronics	Tyco Electronics Corporation Harrisburg, Pa 17105-3608	
DIMENSIONS: mm [INCHES]		CHK	S.BOLASH	08SEP05		RECEPTACLE ASSEMBLY, SIZE 4, 37 POSN, VERTICAL, AMPLIMITE HD-20	
TOLERANCES UNLESS OTHERWISE SPECIFIED:		APVD	M.WALMSLEY	08SEP05	NAME	108-40025	
0 PLC	± -	PRODUCT SPEC		APPLICATION SPEC		SIZE	A2
1 PLC	± -	APPLICATION SPEC		MATERIAL		CAGE CODE	00779
2 PLC	± 0.13 [.005]	MATERIAL		WEIGHT		DRAWING NO	5207829
3 PLC	± -	FINISH		CUSTOMER DRAWING		RESTRICTED TO	-
4 PLC	± ± 2'	FINISH		SCALE		SHEET	1 OF 1
ANGLES	± ± 2'	FINISH		SCALE		REV	0