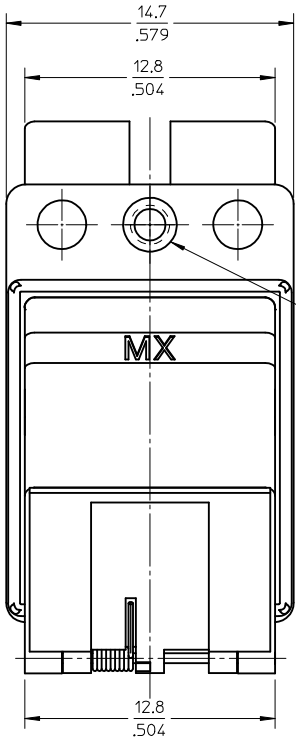
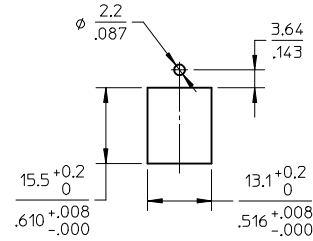
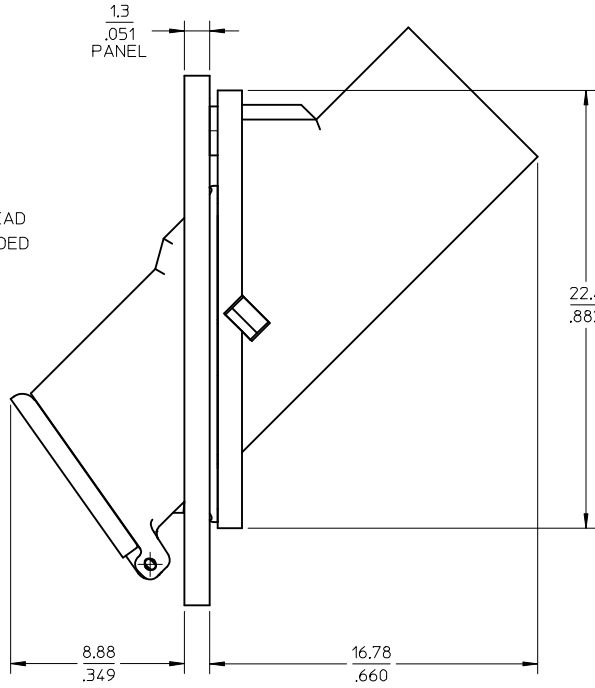


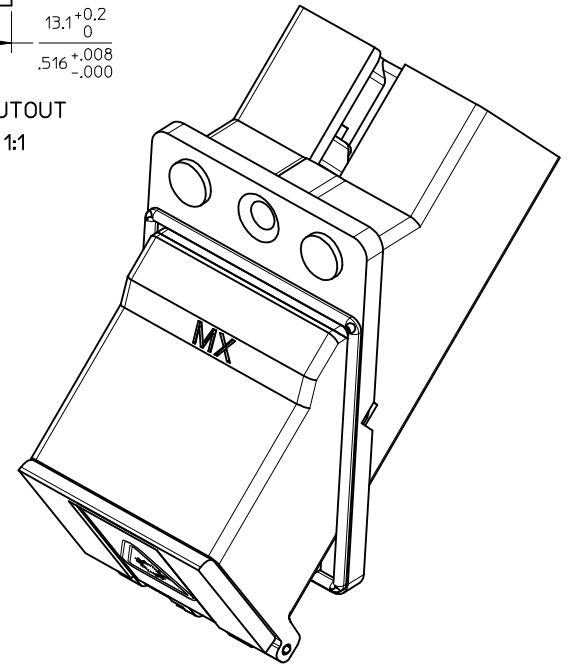
10	9	8
ADAPTER P/N	ADAPTER TYPE	HOUSING COLOR
1061164500	SINGLE MODE	BLUE
1061164510	MULTIMODE	BEIGE
1061164520	APC	GREEN



M2x0.4
4mm LONG FLATHEAD
SCREW RECOMMENDED



PANEL CUTOUT
SCALE 1:1



NOTE:
ALL ADAPTER DIMENSIONS ARE FOR REFERENCE ONLY

ENTER DESCRIPTION EC NO: MF2009-0065 DRAWN BY: DRINKPEVZNER 2008/08/11 CHKD: IAPPR: IGUMIN 2013/05/03 REV: A4	QUALITY SYMBOLS ▽=0 ▽=0	GENERAL TOLERANCES (UNLESS SPECIFIED) mm INCH 4 PLACES ± --- ± --- 3 PLACES ± --- ± --- 2 PLACES ± --- ± --- 1 PLACE ± --- ± --- ANGULAR ± 1 °	DIMENSION STYLE MM/IN DRAWN BY: SERNST DATE: 2006/06/23 CHECKED BY: DSZILAGYI DATE: 2006/07/12 APPROVED BY: SMIGO DATE: 2006/07/12	SCALE: 4:1 DESIGN UNITS: METRIC THIRD ANGLE PROJECTION
	DRAFT WHERE APPLICABLE MUST REMAIN WITHIN DIMENSIONS			TITLE: SC 45 DEGREE EMI ADAPTER SCREW MOUNT VERSION
	MATERIAL NO. SEE TABLE			MOLEX INCORPORATED DOCUMENT NO. SD-106116-4500
	SIZE B THIS DRAWING CONTAINS INFORMATION THAT IS PROPRIETARY TO MOLEX INCORPORATED AND SHOULD NOT BE USED WITHOUT WRITTEN PERMISSION			SHEET NO. 1 OF 1