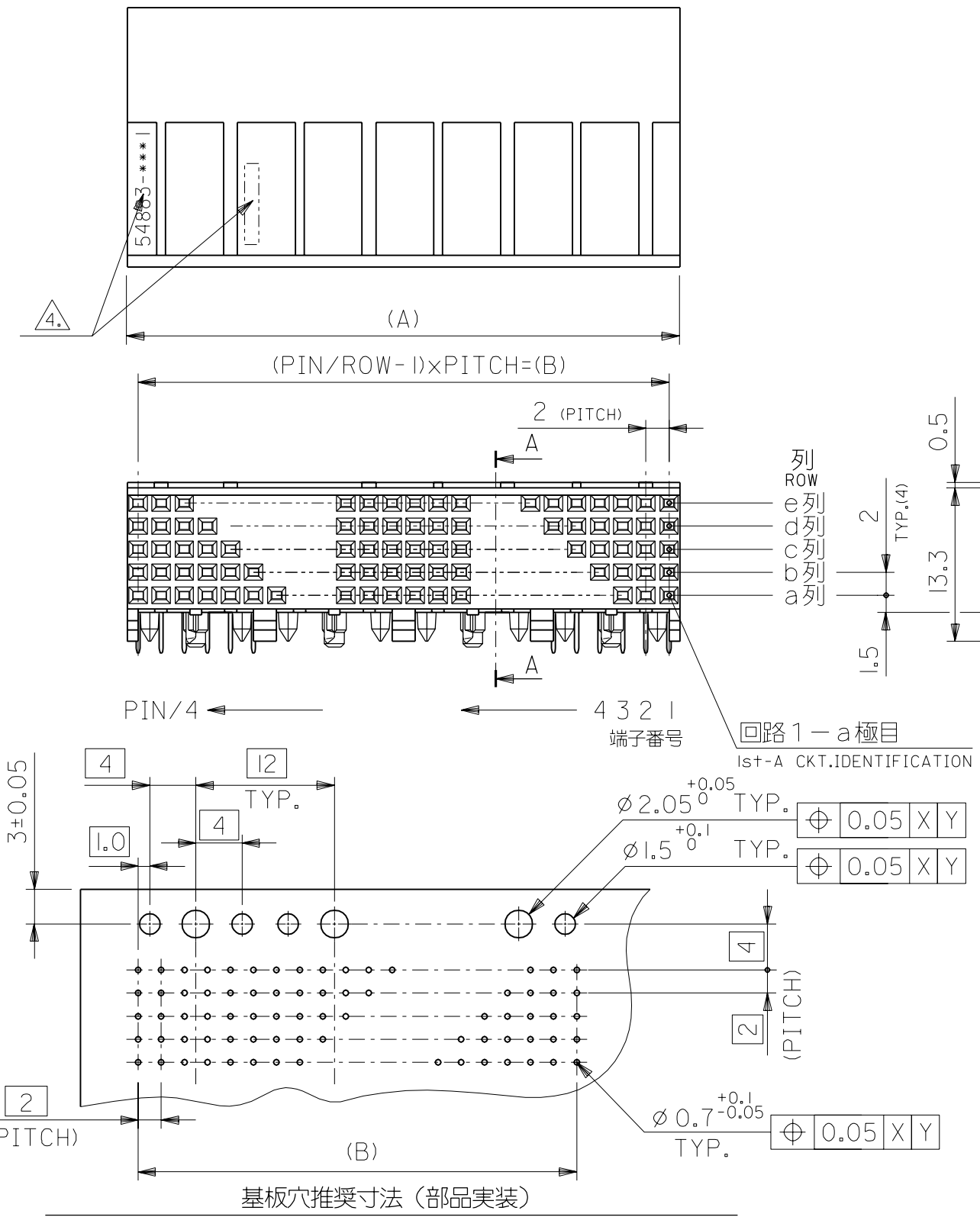


DWG. NO. SD-54883-002

DO NOT SCALE DRAWING

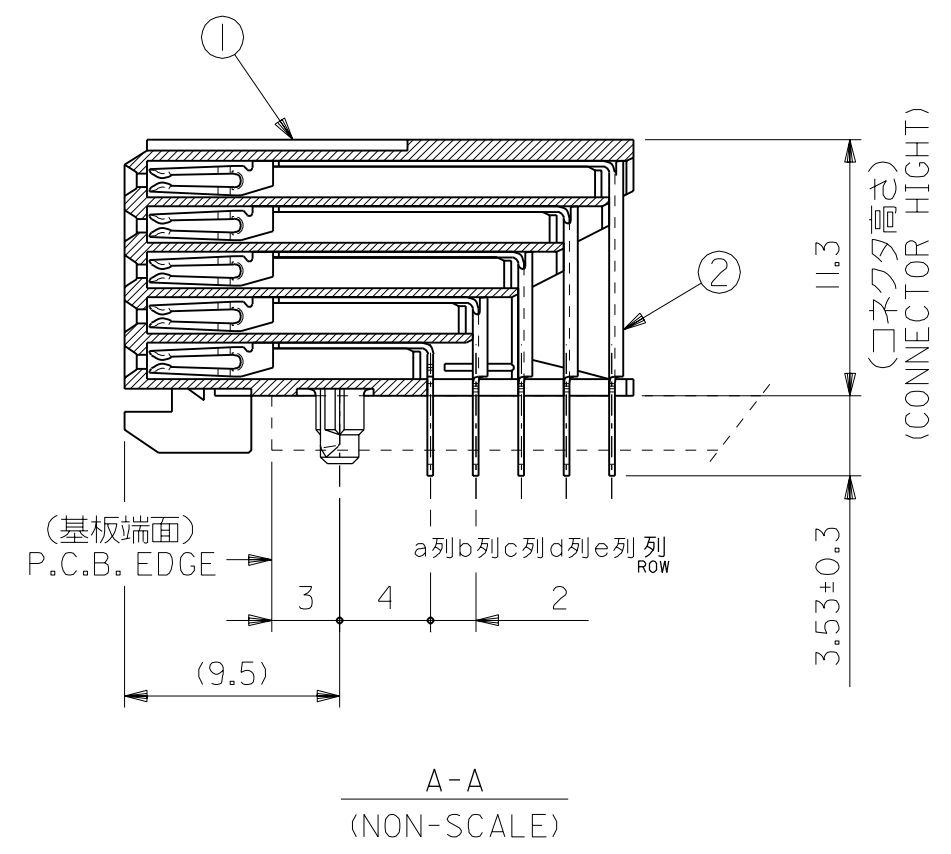
番号 No.	部品 PART NAME	材質 MATERIAL	仕上げ FINISH
①	リセプタクル ハウジング RECEPTACLE HOUSING	液晶ポリマー、ガラス充填、自然色(白)、UL94V-0 LIQUID CRYSTAL POLYMER, GLASS FILLED, NATURAL(WHITE), UL94V-0	—#—
②	リセプタクル ターミナル RECEPTACLE TERMINAL	リン青銅 PHOSPHOR BRONZE	△1.



RECOMMENDED P.C.B.LAYOUT (COMPONENT SIDE)

REV	DESCRIPTION	MATERIAL 材料	FINISH 仕上げ	WIRE RANGE 適用電線範囲	INS. RANGE 被覆外径
B	REVISED REVISED NO. JD2001-1438 DRWN: S.HOSHIKAWA '01/04/24 CHK: A.NODA APPR: H.IKESUGI				
A	RELEASED RELEASED NO. JD2001-0317 DRWN: S.HOSHIKAWA '00/08/25 CHK: A.NODA APPR: H.IKESUGI				

- 注記
NOTE :
- △1. ターミナル めっき仕様
TERMINAL PLATING
金めっき : 0.76 μm MIN. (接点部)
GOLD : 0.76 μm MIN. (CONTACT AREA)
半田めっき : 1.0 μm MIN. (半田付け部)
TIN-LEAD : 1.0 μm MIN. (SOLDER AREA)
ニッケルメッキ : 2.0 μm MIN. (下地めっき)
NICKEL : 2.0 μm MIN. (UNDER PLATING)
 - 2. 推奨基板厚 : t=2.4mm
RECOMMENDED P.C.B. THICKNESS :
 - 3. 適合プラグ : 55060, 55332, 55333
APPLICABLE PLUG :
 - △4. 製品番号及びロットナンバー
MATERIAL NO. & LOT NO.



94	95.98	54883-2401	240
46	47.98	54883-1201	120
22	23.98	54883-0601	60
10	11.98	54883-0301	30
B	A	MATERIAL NO.	PIN

MODEL NO. : 54883-***1		DIMENSIONS:		SHT	REV
SCALE 2-1		DESIGN UNITS <input checked="" type="checkbox"/> mm <input type="checkbox"/> INCH		PROJECTION <input type="checkbox"/> FIRST ANGLE <input checked="" type="checkbox"/> THIRD ANGLE	
DRAWN BY & DATE S. Hoshikawa		TITLE: "MFB" B/B CONN. (FB+) REC. ASS'Y 5ROW DIP			
CHECKED BY & DATE A. Noda		MOLEX INCORPORATED			
APPROVED BY & DATE H. Ikesugi		MATERIAL NO. SEE TABLE	DRAWING NO. SD-54883-002	SHEET NO. 1 OF 1	
CAD FILENAME SD-54883-002.S01		THIS DRAWING CONTAINS INFORMATION THAT IS PROPRIETARY TO MOLEX INCORPORATED AND SHOULD NOT BE USED WITHOUT WRITTEN PERMISSION.			SIZE B

SD-54883-002-001