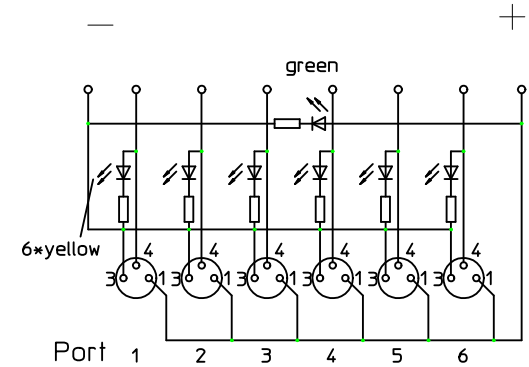
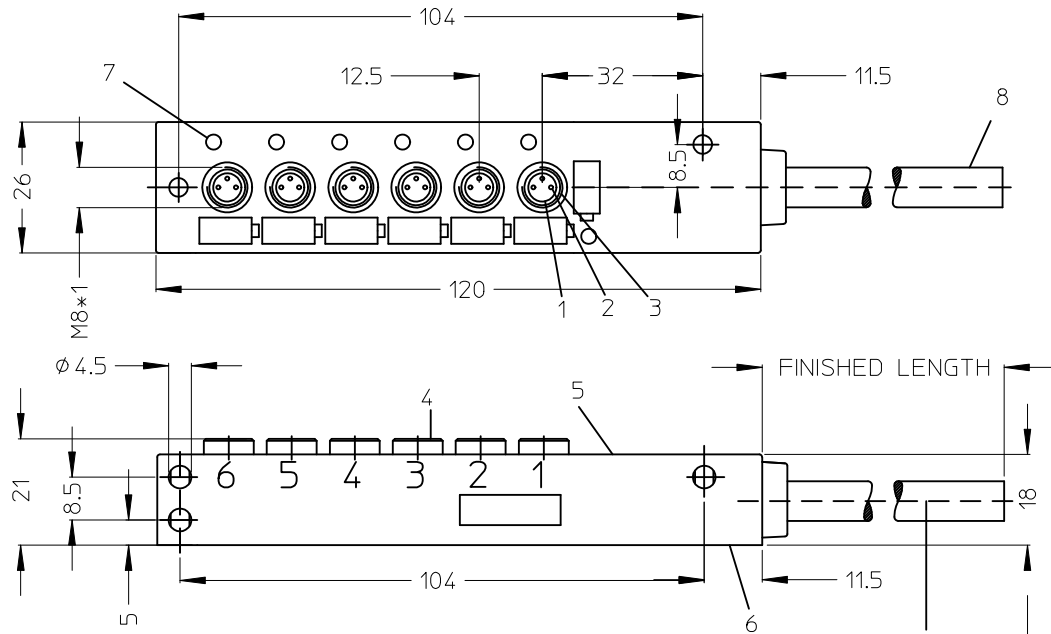


SAP-NUMBER	OLD PART NUMBER	FINISHED LENGTH
1201130009	BEY601P-FBM-05	5000
1291130010	BEY601P-FBM-10	10000



Contact configuration	wire colour	Wire mm ²	Port	Pin connector Contact-No.
	brown (+)	0.75	1-6	1
	blue (-)	0.75	1-6	3
	white	0.34	1	4
	green	0.34	2	4
	yellow	0.34	3	4
	grey	0.34	4	4
	pink	0.34	5	4
	red	0.34	6	4

CABLE END:
 OUTER SHEATH STRIPPED 100 mm
 CONDUCTOR STRIP 5 mm

CLOSURE CAP

SAP no. 1203080677
 Quantity 2

VOLTAGE RATING	10 - 30 VDC
AMPERAGE RATING PER PORT	2 A MAX./PORT 6 A MAX. TOTAL
PROTECTION	IP 67
OPERATING TEMPERATURE	-25°C / +90 °C

ITEM	COMPONENT	MATERIAL	FINISH
1	INSERT	PUR	BLACK
2	CONTAC SOCKET	BRASS	GOLD OVER NICKEL
3	O-RING	VITON	---
4	RECEPTACLE SHELL	BRASS	NICKEL PLATED
5	HOUSING	PBT	YELLOW
6	LABEL	ABS	WHITE
7	LENS	PA	CLEAR
8	CABLE	PUR/PVC	---

NEW RELEASE
 EC NO: WEU2010-0248
 DRWN:SBH 2010/01/08
 CHKD:APOHL WEU 2010/01/08
 APPR:INSTAUDIGEL 2010/01/29

QUALITY SYMBOLS

	GENERAL TOLERANCES (UNLESS SPECIFIED)	
	mm	INCH
4 PLACES	± ---	± ---
3 PLACES	± ---	± ---
2 PLACES	± ---	± ---
1 PLACE	± 0.3	± ---
ANGULAR ± ---°		

DIMENSION STYLE		SCALE	DESIGN UNITS
MM ONLY			METRIC
DRAWN BY	DATE	TITLE	
SBH	2010/01/08	M8-MPIS 6 PORT CABLE 3 POL STRAIGHT OUTLINE	
CHECKED BY	DATE	MOLEX INCORPORATED	
APOHL WEU	2010/01/08	DOCUMENT NO. SD-120113-013	
APPROVED BY	DATE	SHEET NO. 1 OF 1	
INSTAUDIGEL	2010/01/29	THIS DRAWING CONTAINS INFORMATION THAT IS PROPRIETARY TO MOLEX INCORPORATED AND SHOULD NOT BE USED WITHOUT WRITTEN PERMISSION	
MATERIAL NO.			

DRAFT WHERE APPLICABLE
 MUST REMAIN WITHIN DIMENSIONS

SEE TABLE