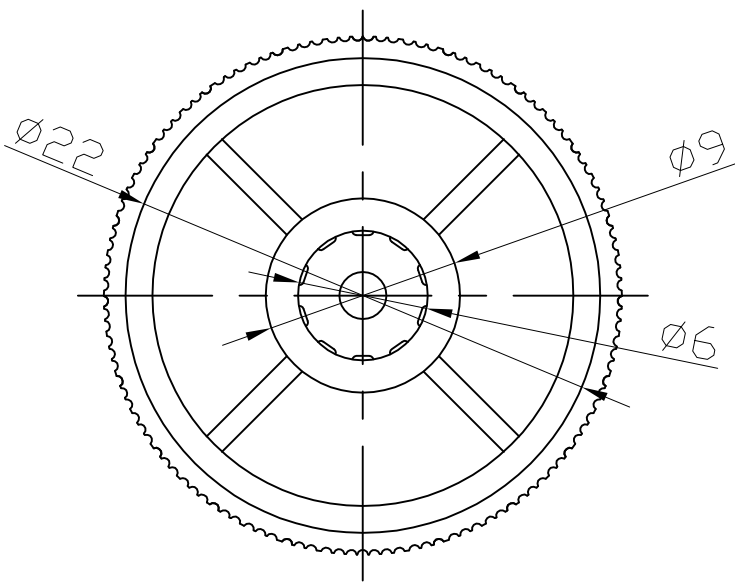
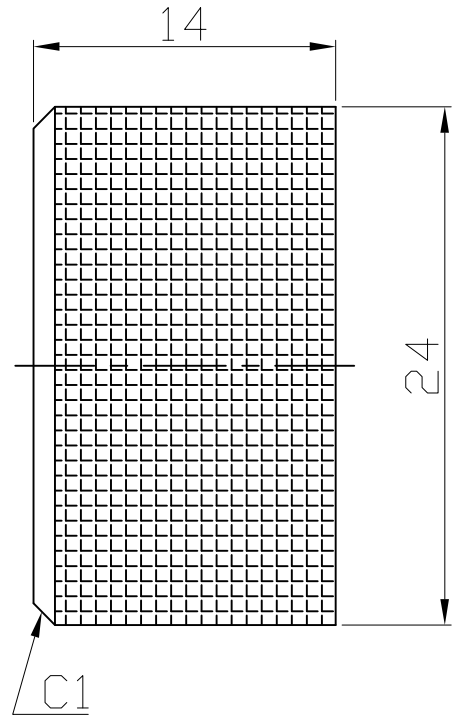
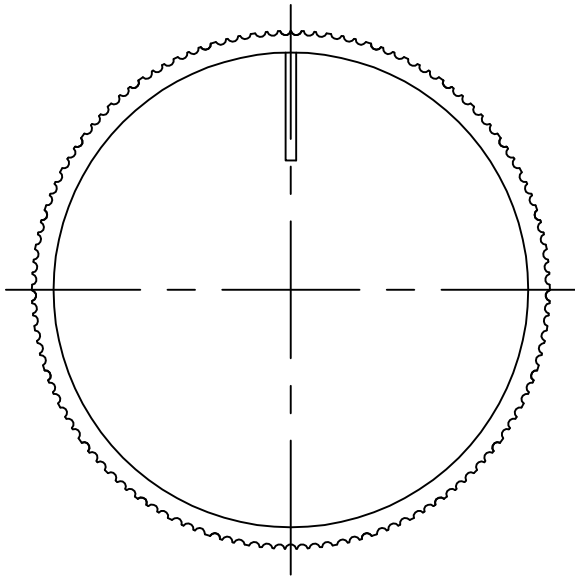


Mechanical Dimensions



TOLERANCES UNLESS OTHERWISE SPEC	
BASIC DIMENSIONS	TOLERANCES
UP TO 10	± 0.3
ABOVE 10 TO 30	± 0.5
ABOVE 30 TO 100	± 1.0
ANGULAR DIMENSION	$\pm 5^\circ$

ELECTRONICS CHINA		APPRO	CHECK	DESIGNER
MODEL NO	R23H14(14X24mm, Black)			
DESCRIPTION	Black Knob			