

4

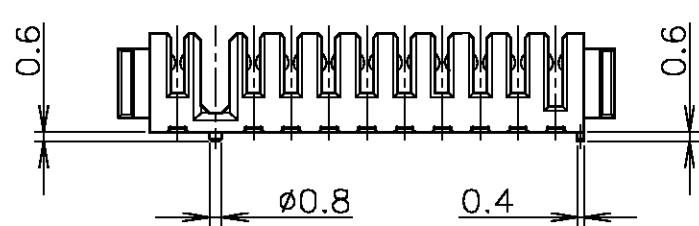
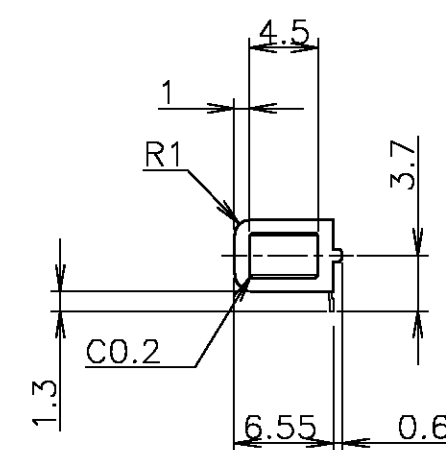
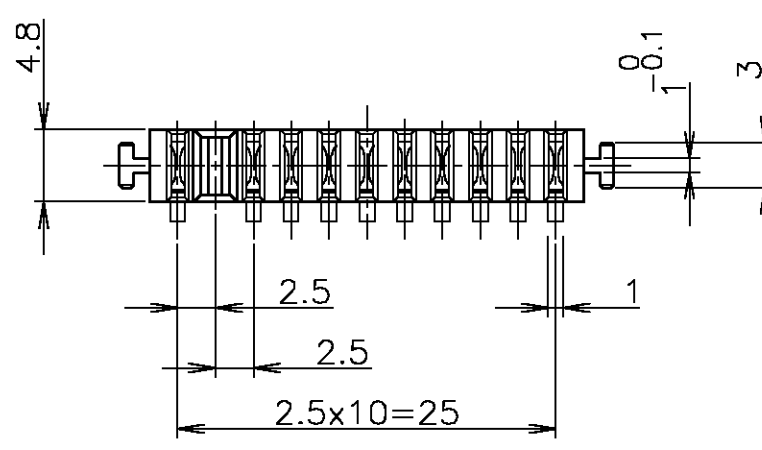
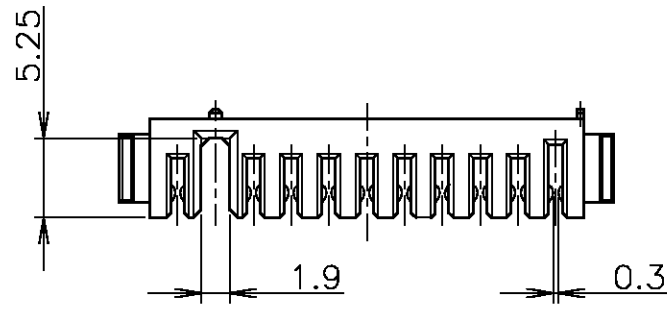
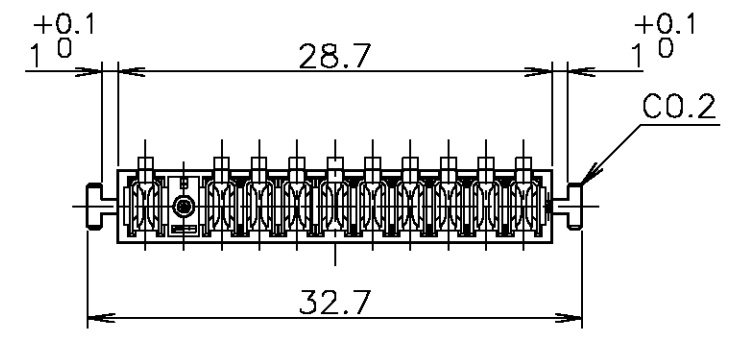
3

2

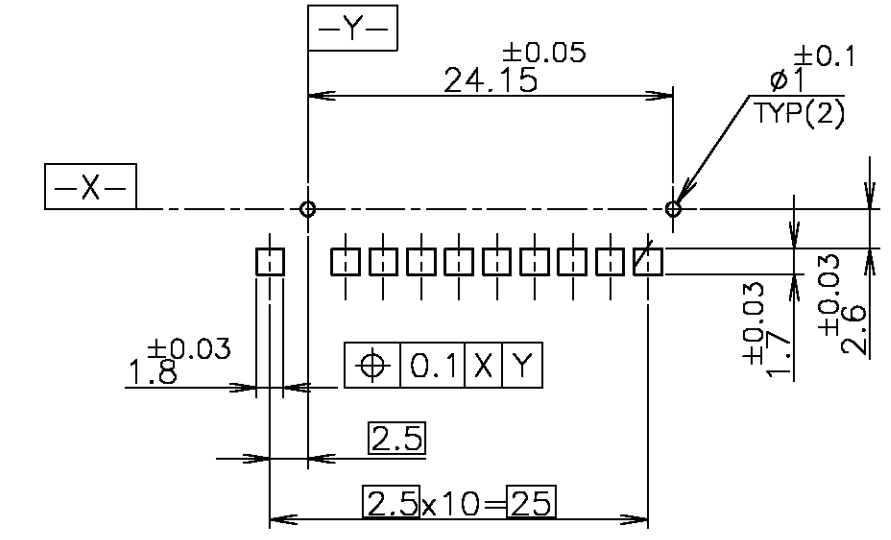
1

THIS DRAWING IS UNPUBLISHED. RELEASED FOR PUBLICATION DEC, 2001.
 © COPYRIGHT 2001 BY TYCO ELECTRONICS CORPORATION. ALL RIGHTS RESERVED.

LOC	DIST	REVISIONS					
J	/	P	LTR	DESCRIPTION	DATE	DWN	APVD
		B	REVISED	FJB0-0250-04	12MAR04	T.K	K.I



鉛フリー
LEAD FREE



基板取付参考寸法
 REFERENCE P.C. BOARD LAYOUT
 P.C. BOARD THK 0.8~1.2
 (VIEW FROM CONNECTOR MOUNTING SIDE)

- △ 材料
 - ・ハウジング：6Tナイロン、UL94V-0、黒
 - ・コンタクト：銅合金
- △ 仕上げ
 - ・コンタクト：ニッケル下地めっき 2μm以上
 - 接触部 金めっき 0.3μm以上
 - 半田付け部 錫めっき 2~5μm
- △ MATERIAL
 - ・HOUSING: 6T NYLON, UL94V-0, BLACK
 - ・CONTACT: COPPER ALLOY
- △ FINISH
 - ・CONTACT: Ni ALL OVER UNDER PL. 2μm MIN.
 - GOLD PL. 0.3μm MIN. AT CONTACT AREA
 - TIN PL. 2~5μm AT LEAD AREA

1565860-1:AS SHOWN

THIS DRAWING IS A CONTROLLED DOCUMENT.		DWN	T.KATANO	13DEC01		Tyco Electronics AMP K.K.	
		CHK	K.IKEGAMI	13DEC01		Kawasaki, Japan	
DIMENSIONS: 単位：mm		TOLERANCES UNLESS OTHERWISE SPECIFIED: 一般公差		APVD	T.YAMADA	13DEC01	NAME
		0 PLC	± 0.3	PRODUCT SPEC		2.5mm PITCH BATTERY CONNECTOR	
		1 PLC	± 0.3	製品規格		RECEPTACLE ASSEMBLY (10P)	
		2 PLC	± 0.3	APPLICATION SPEC			
		3 PLC	± 0.3	取付適用規格			
		4 PLC	± 0.3	WEIGHT		1.1g	
		ANGLES	± 3'	SIZE		A3	
MATERIAL		FINISH		CAGE CODE		00779	
△ 1		△ 2		DRAWING NO		C-1565860	
				RESTRICTED TO			
		CUSTOMER DRAWING		SCALE		2:1	
				SHEET		1 OF 1	
				REV		B	