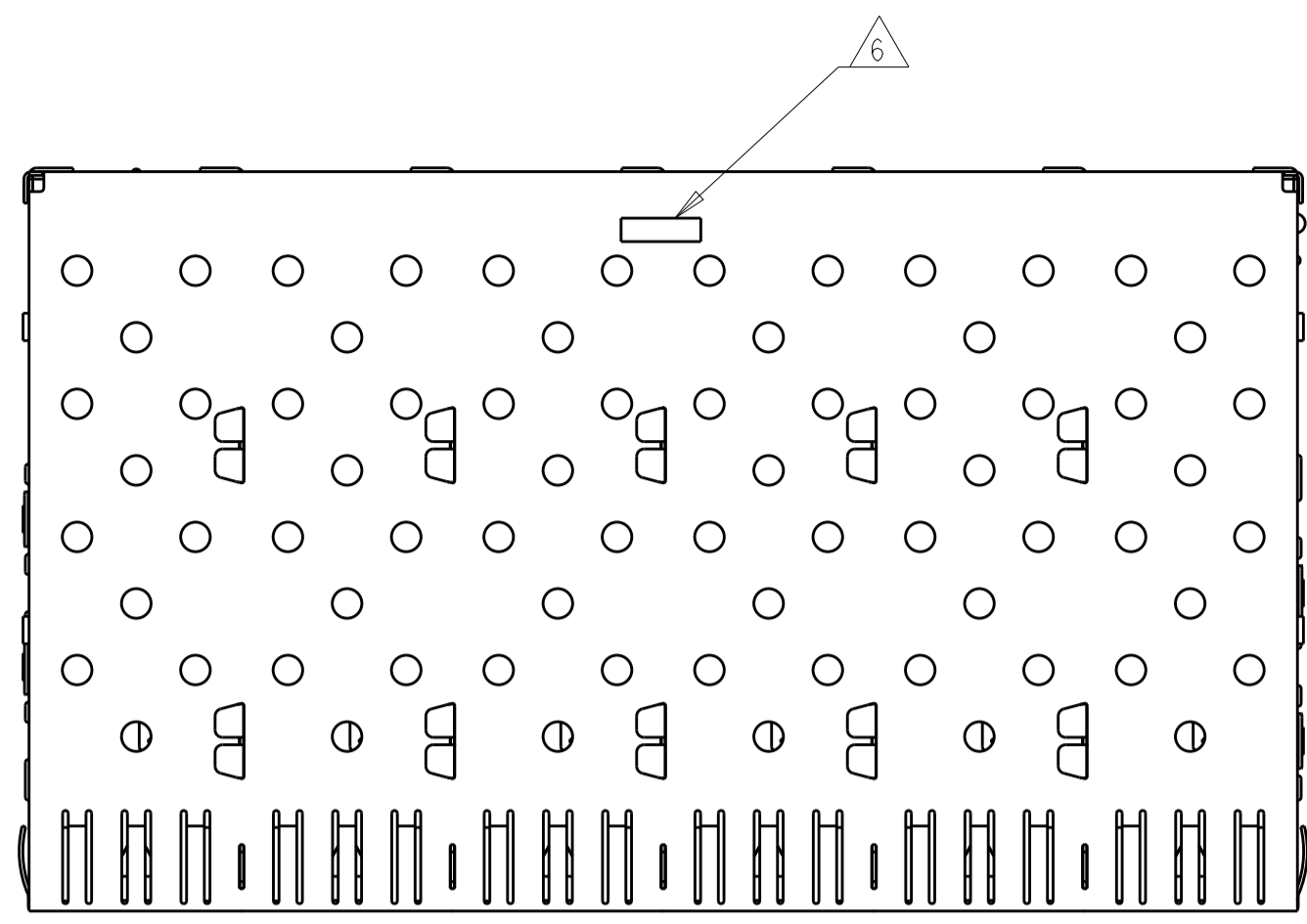
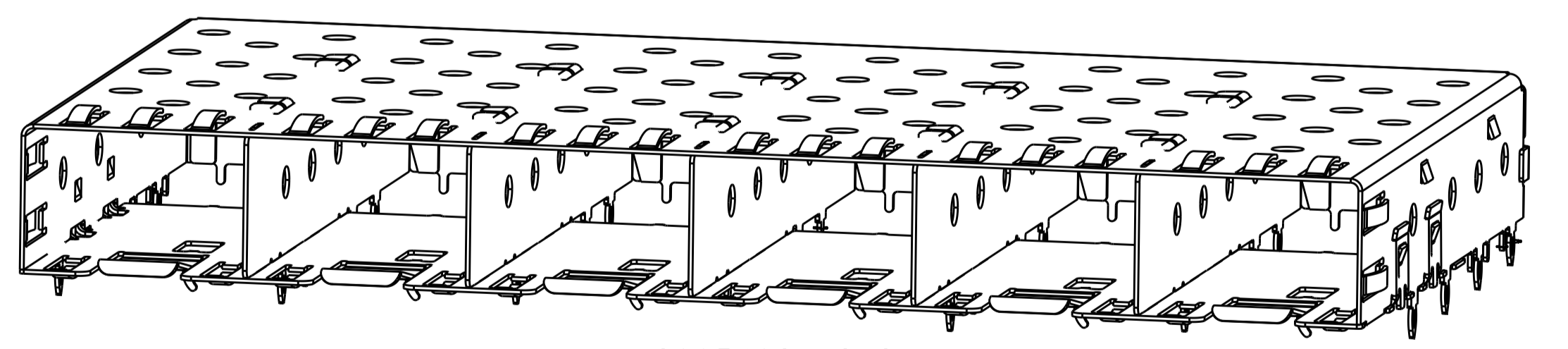
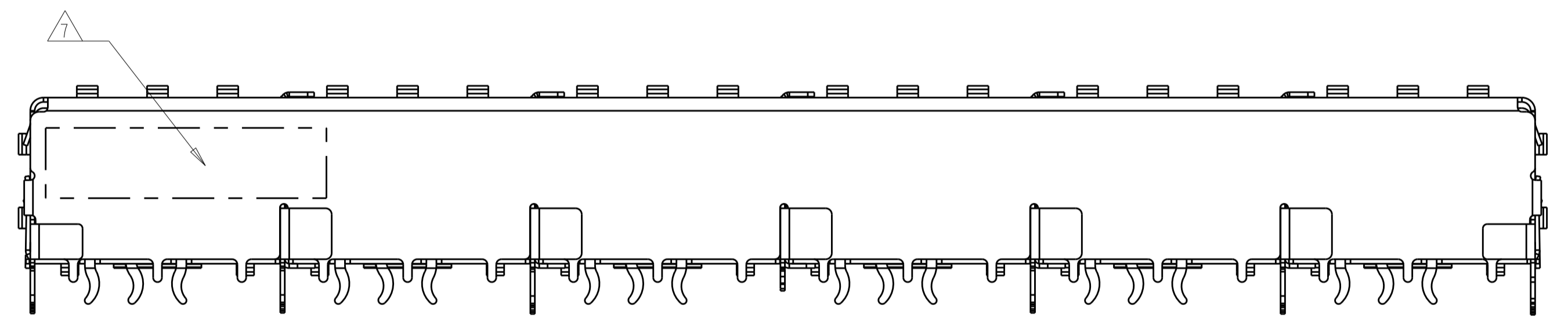
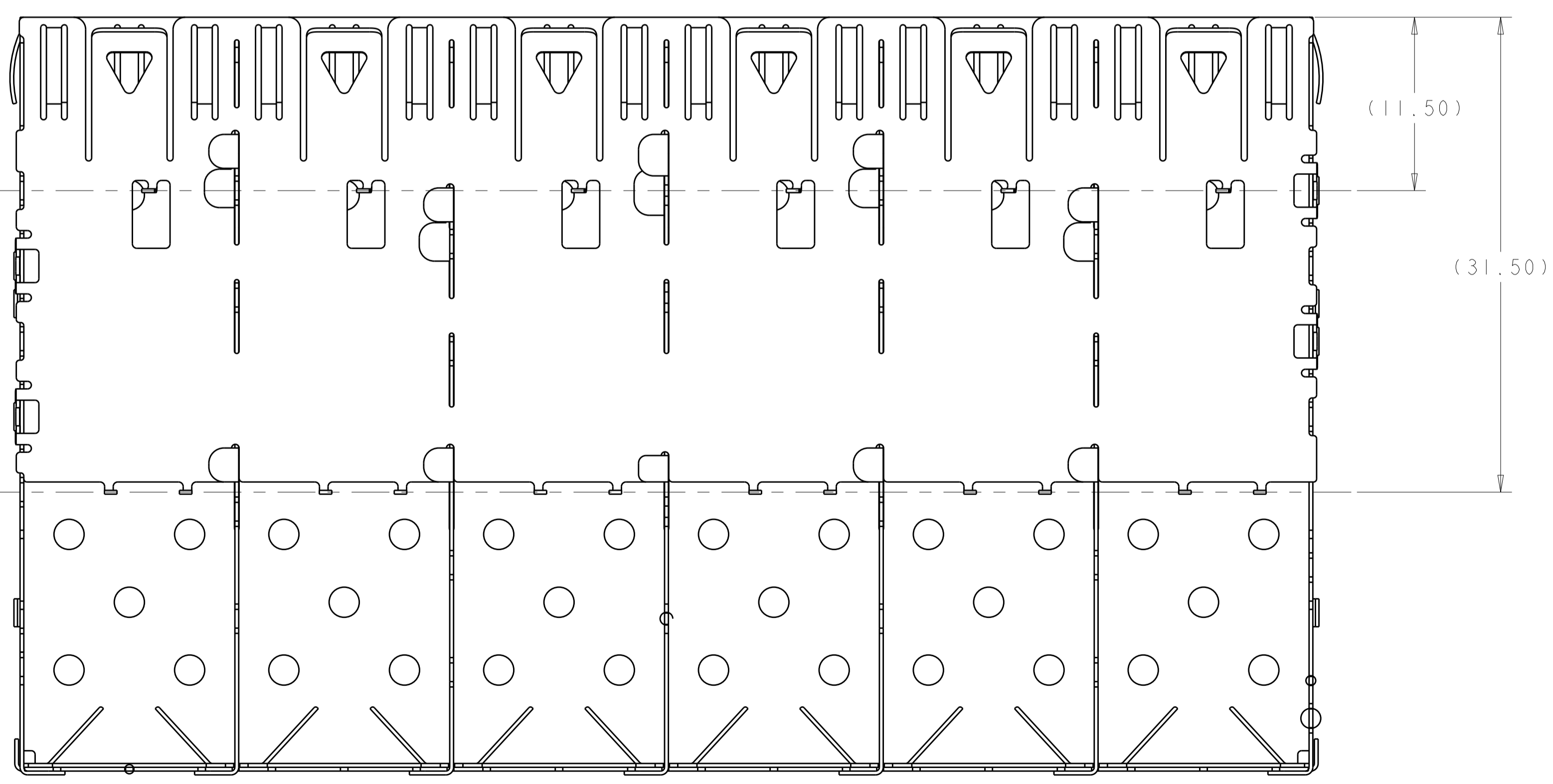
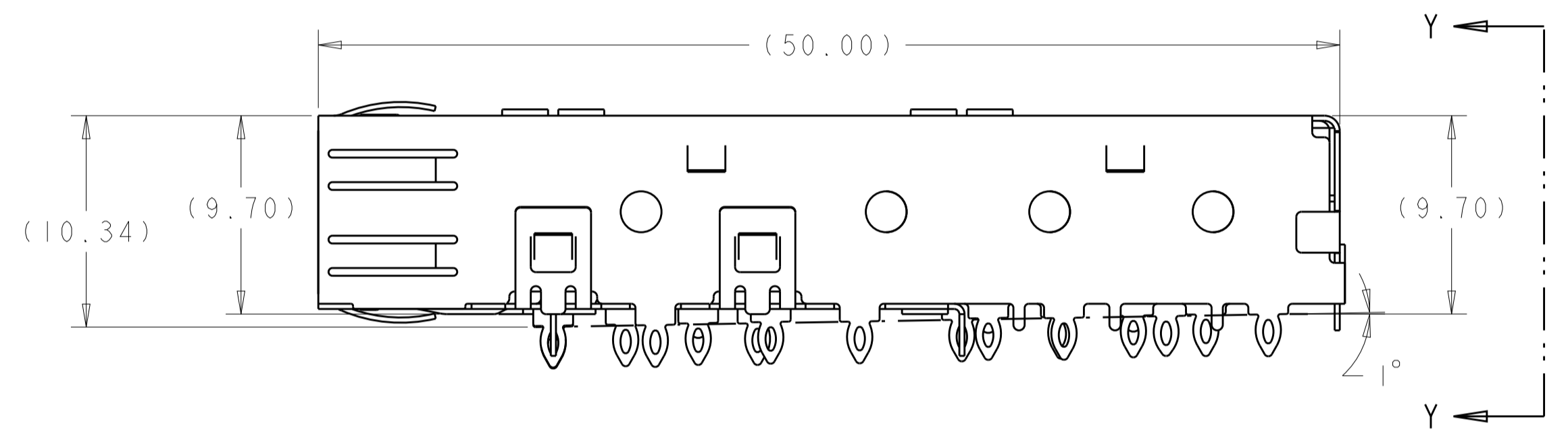
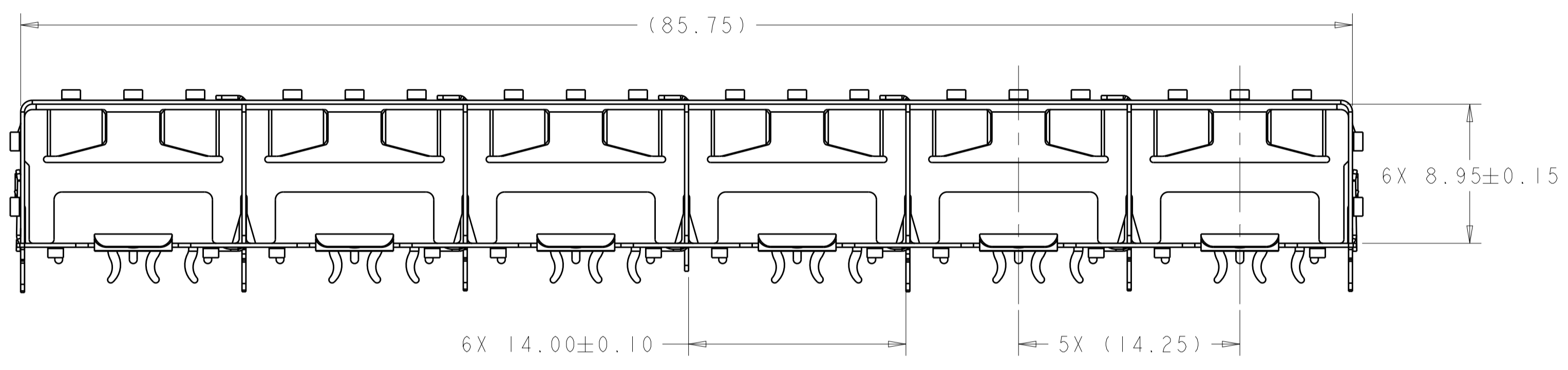


LOC	DIST	REV	DESCRIPTION	DATE	DWN	APVD
GP	00	B	ECO-10-015550	03AUG10	HMR	JP
		C	REVISED PER ECO-14-000886	20FEB2014	JW	SH
		C1	REVISED PER ECO-14-010419	11JUL2014	JW	SH
		D	REVISED PER ECO-15-013594	25SEP2015	JW	SH



SCALE 2:1

- △ MATERIAL: COPPER ALLOY
- △ TIN PLATING PER ASTM B 545, 1.25µm MINIMUM THICKNESS. ALL OVER NICKEL FLASH PER QQ-N-290. NON PLATED EDGES ARE PERMISSIBLE.
- △ DATUM AND BASIC DIMENSIONS ESTABLISHED BY CUSTOMERS.
- △ PADS AND VIAS CHASSIS GROUND.
- △ REFERENCE APPLICATION SPEC 114-13120, HOLE A, FOR RECOMMENDED DRILL HOLE DIAMETER AND PLATING THICKNESSES
- △ COMPANY LOGO IN APPROXIMATE AREA SHOWN
- △ DATE CODE AND PART NUMBER IN APPROXIMATE LOCATION SHOWN
- △ NICKEL SILVER ALLOY(NO PLATING)



2007498-1&2
SCALE 3:1

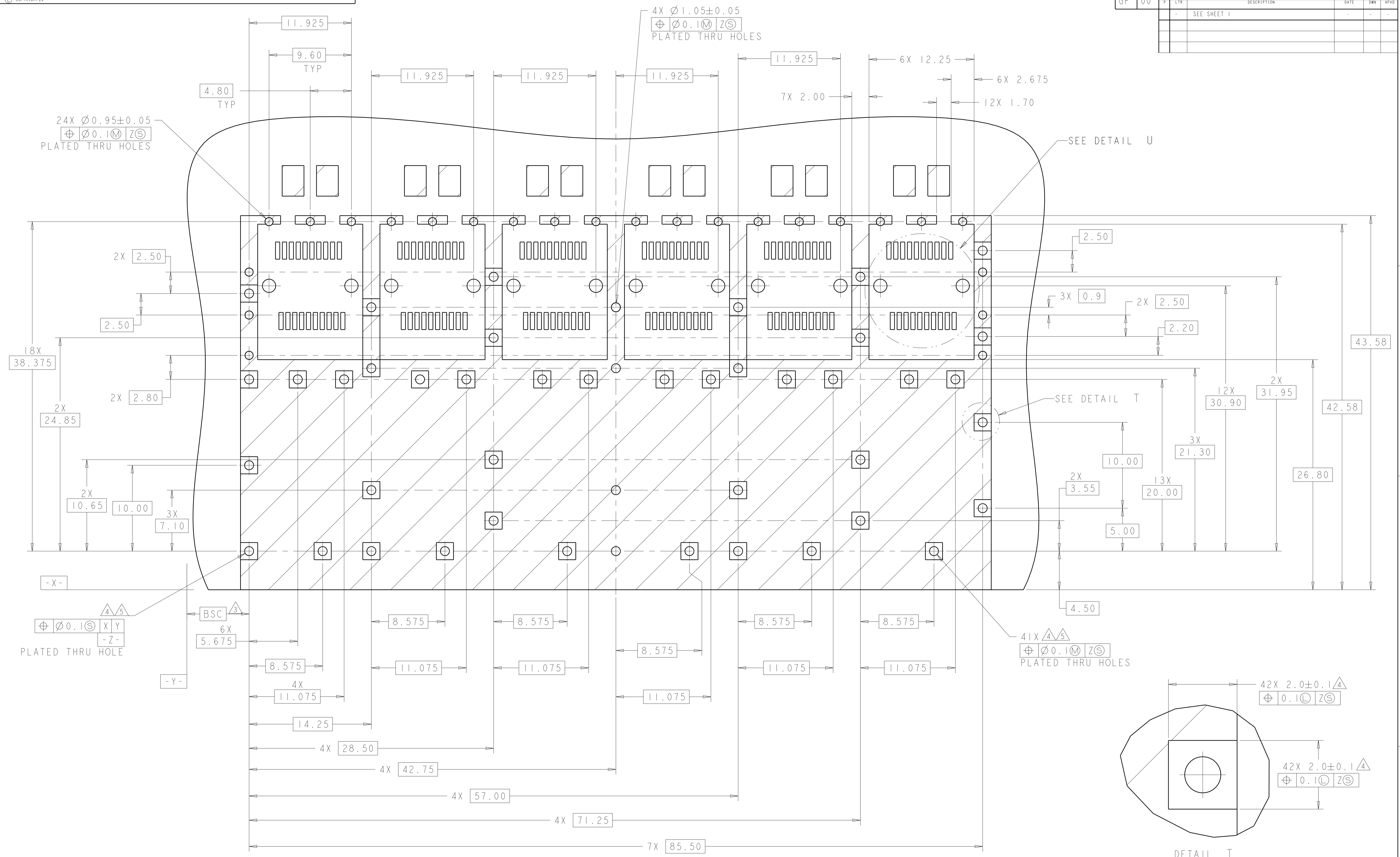
SUPERSEDED BY:
2007498-2

NO	△	△	DESCRIPTION	PART NUMBER
			1X6 CAGE ASSEMBLY	2007498-2
			1X6 CAGE ASSEMBLY	2007498-1

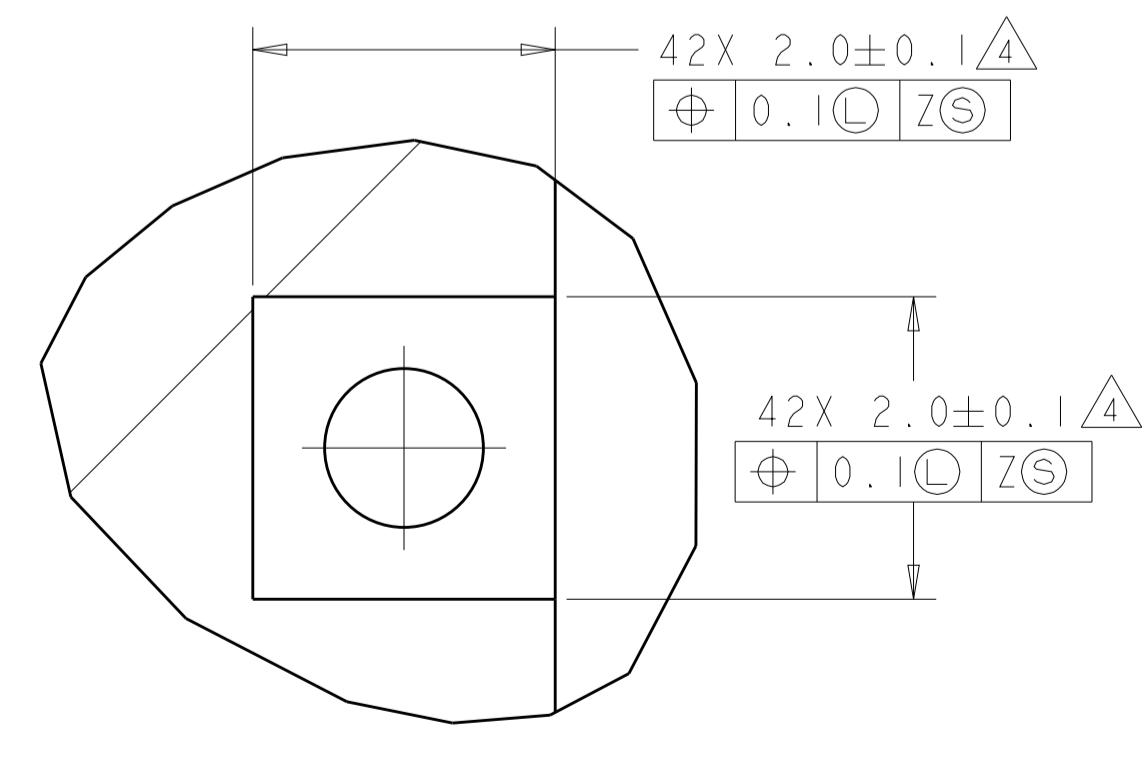
FINISH	MATERIAL	DESCRIPTION	PART NUMBER
		ASSEMBLY, CAGE, PRESS FIT, 1X6, PCI, SFP	

THIS DRAWING IS A CONTROLLED DOCUMENT.		DWN B. MCMASTER 03DEC07	TE Connectivity
DIMENSIONS:		CHK J. KOPPENHEFFER 03DEC07	
TOLERANCES UNLESS OTHERWISE SPECIFIED:		APVD J. KOPPENHEFFER 03DEC07	
mm		PRODUCT SPEC	
0 PLC	±	APPLICATION SPEC	NAME
1 PLC	±	WEIGHT	ASSEMBLY, CAGE, PRESS FIT, 1X6, PCI, SFP
2 PLC	±	CUSTOMER DRAWING	SIZE CAGE CODE DRAWING NO
3 PLC	±		A100779C=2007498
4 PLC	±		RESTRICTED TO
ANGLES	±		
FINISH			

LOC		DIST		REVISIONS				
GP	00	P	LTN	DESCRIPTION	DATE	DMN	APVD	
-	-	-	-	SEE SHEET 1	-	-	-	



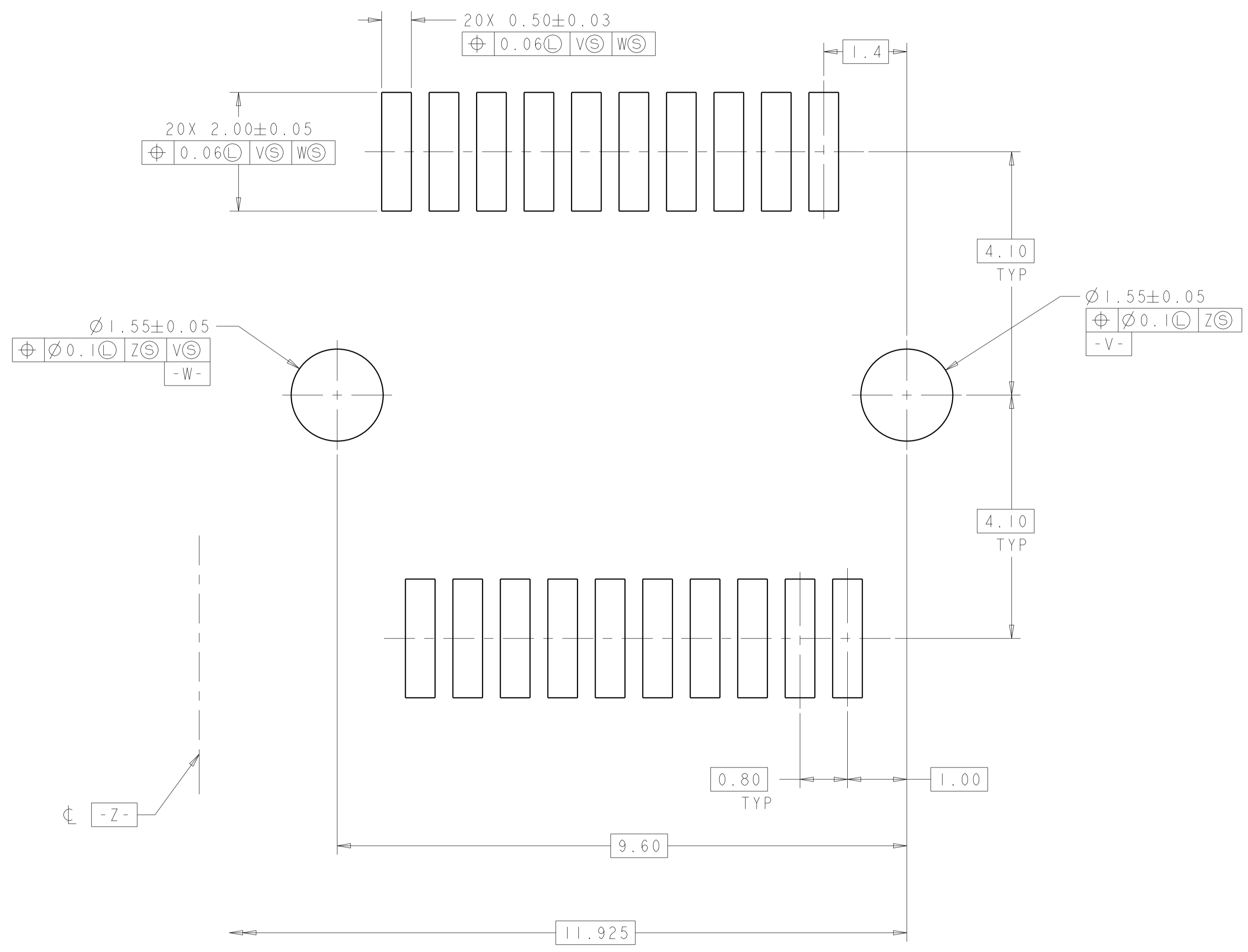
RECOMMENDED PCB CONFIGURATION
 SCALE 5:1



DETAIL T
 SCALE 20:1

THIS DRAWING IS A CONTROLLED DOCUMENT.		DMN: B. MCMASTER 03DEC07	TE Connectivity
DIMENSIONS:		CHK: J. KOPPENHEFFER 03DEC07	
mm	TOLERANCES UNLESS OTHERWISE SPECIFIED:	APVD: J. KOPPENHEFFER 03DEC07	NAME: ASSEMBLY, CAGE, PRESS FIT, 1X6, PCI, SFP
Ø	0 PLC ±	PRODUCT SPEC:	SIZE: CAGE CODE DRAWING NO:
Ø	1 PLC ±	APPLICATION SPEC:	A100779C=2007498
Ø	2 PLC ±	WEIGHT:	RESTRICTED TO:
Ø	3 PLC ±	CUSTOMER DRAWING:	SCALE: 4:1 SHEET 2 OF 3 REV D
Ø	4 PLC ±		
Ø	ANGLES ±		
MATERIAL:	FINISH:		

LOC	DIST	REVISIONS			
P	LTN	DESCRIPTION	DATE	DMN	APVD
GP	00	SEE SHEET 1	-	-	-



DETAIL U
SCALE 20:1

THIS DRAWING IS A CONTROLLED DOCUMENT.		DMN B. MCMASTER 03DEC07	TE Connectivity
DIMENSIONS: mm		CHK J. KOPPENHEFFER 03DEC07	
TOLERANCES UNLESS OTHERWISE SPECIFIED:		APVD J. KOPPENHEFFER 03DEC07	NAME ASSEMBLY, CAGE, PRESS FIT, 1X6, PCI, SFP
0 PLC ±	1 PLC ±	PRODUCT SPEC	SIZE CAGE CODE DRAWING NO RESTRICTED TO
2 PLC ±	3 PLC ±	APPLICATION SPEC	A100779C=2007498
4 PLC ±	ANGLES ±	WEIGHT	SCALE 4:1 SHEET 3 OF 3 REV D
MATERIAL	FINISH	CUSTOMER DRAWING	