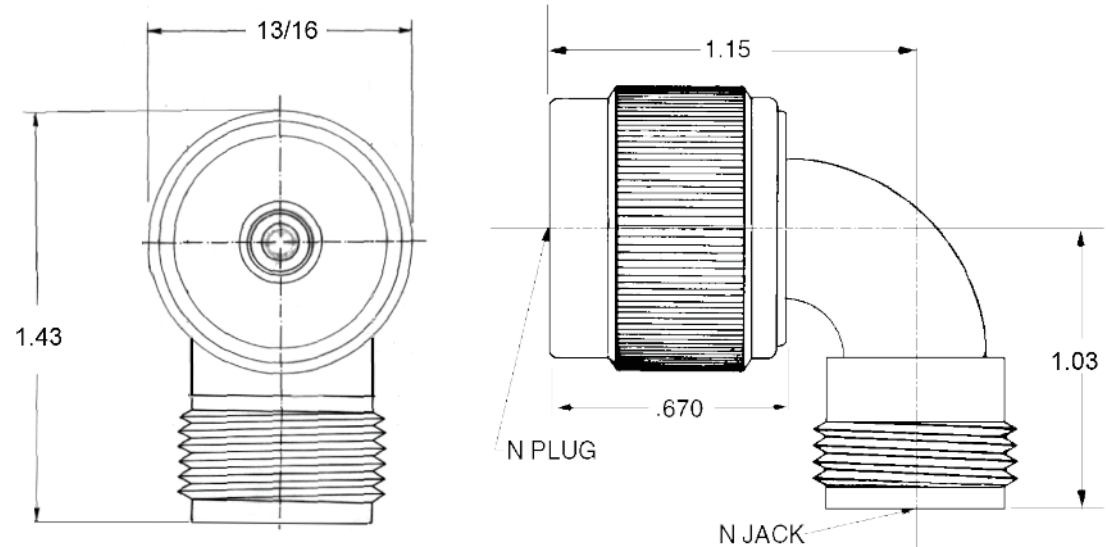


PART NUMBER

KAD177288

REV.

INITIAL

Electrical DataImpedance 50 Ω V.S.W.R 1.20:1 @ DC - 11 GHz
1.30:1 @ 11 - 18 GHz**Konnnect RF**540 NW University Blvd. Ste. 109
Port Saint Lucie, Florida, 34986
1-800-790-5887

PART NUMBER

KAD177288

DESCRIPTION

Precision Adapter - In-Series - N Radius Right Angle Male Plug to Female Jack

CAGE CODE

664U0

SIGNATURE

X

MaterialsBody
Coupling Nut
Center Contact
InsulatorStainless Steel
Stainless Steel
Be-Cu
TeflonPassivated
Passivated
Gold PlatedTHIS DRAWING INCLUDING THE
DESIGNS IS THE PROPERTY OF
KONNECT RF AND IS NOT TO
BE USED FOR ANY PURPOSE
WITHOUT OUR APPROVAL.