

MODULAR CONNECTORS

CL 222 TM

Six-conductor plug with straight cover

Material Finish

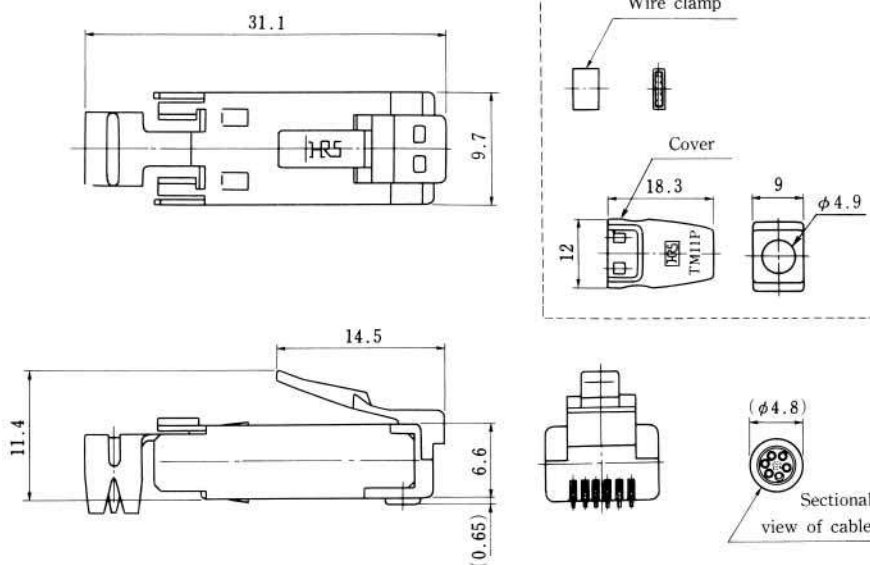
Part name	Material	Finish
Plug case	Polycarbonate	Clear
Terminal	Phosphor Bronze	Gold plated
Cover	Polycarbonate	Beige

Applicable Cable	
Conductor diameter	Copper foil or AWG #26
Insulator diameter	φ0.9- φ1.0

Electrical Performance

Item	Condition	Specification
Current rating	Per pin	0.5A
Voltage rating	Per pin	125V AC
Insulation Resistance	100V DC	100 M Ω Min.
Withstanding Voltage	1 minute	500V r.m.s AC

TM 11P-66P (**)



CL No.	PartNo.	Cover Color	RoHS
222-2149-9-50	TM 11P-66P (50)	Beige	YES
222-2149-9-53	TM 11P-66P (53)	Black	

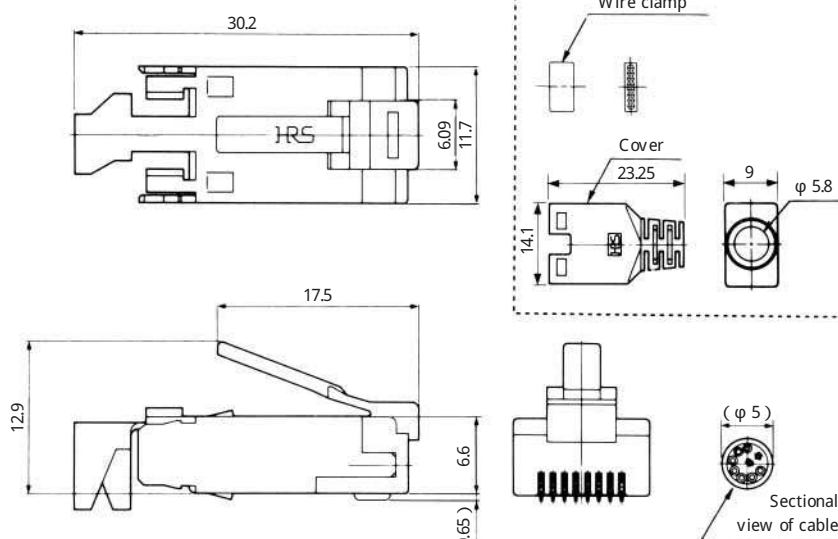
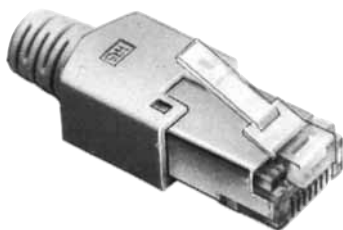
(Number of plugs in package : 100)

MODULAR CONNECTORS

CL 222 TM

Eight-conductor plug with straight cover

● TM 11AP-88P (**)



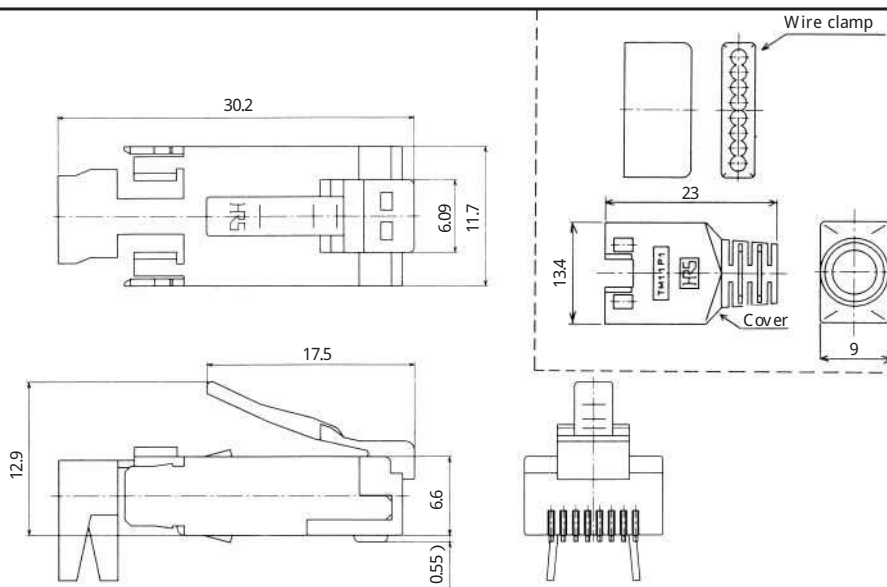
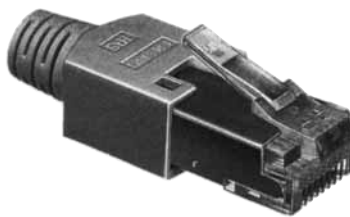
CL No.	PartNo.	Cover color	RoHS
222-2780-6	TM 11AP-88	Beige	YES
222-2780-6-02	TM 11AP-88P (02)	Medium gray	
222-2780-6-03	TM 11AP-88P (03)	Black	
222-2780-6-04	TM 11AP-88P (04)	Natural lightgray	

Note: This plug is NOT intended to be used for gang-jack.

(Number of plugs in package: 100)

Eight-conductor thin straight plug with cover (For gang-jack)

● TM 11AP1-88P (***)



CL No.	PartNo.	Cover color	RoHS
222-2782-1	TM 11AP1-88P	Light beige	YES
222-2782-1-02	TM 11AP1-88P (02)	Medium gray	
222-2782-1-03	TM 11AP1-88P (03)	Black	
222-2782-1-04	TM 11AP1-88P (04)	Natural lightgray	
222-2782-1-05	TM 11AP1-88P (05)	Red	
222-2782-1-06	TM 11AP1-88P (06)	Green	
222-2782-1-07	TM 11AP1-88P (07)	Blue	
222-2782-1-08	TM 11AP1-88P (08)	Yellow	
222-2782-1-09	TM 11AP1-88P (09)	Orange	

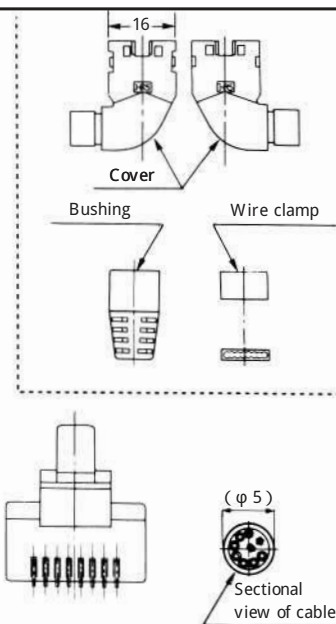
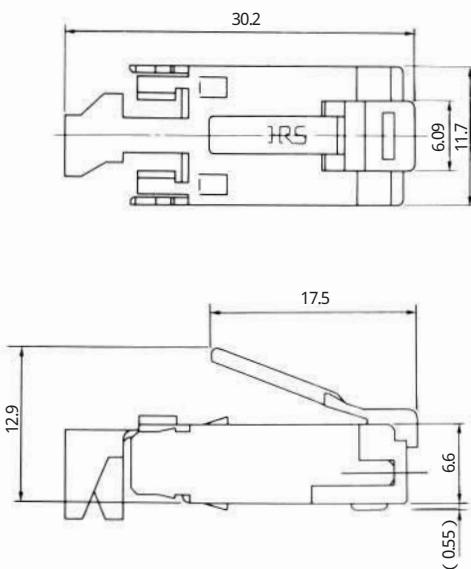
(Number of plugs in package: 100)

MODULAR CONNECTORS

CL 222 TM

L-shaped 8-conductor plug with cover

● TM 11APA-88P (* *)



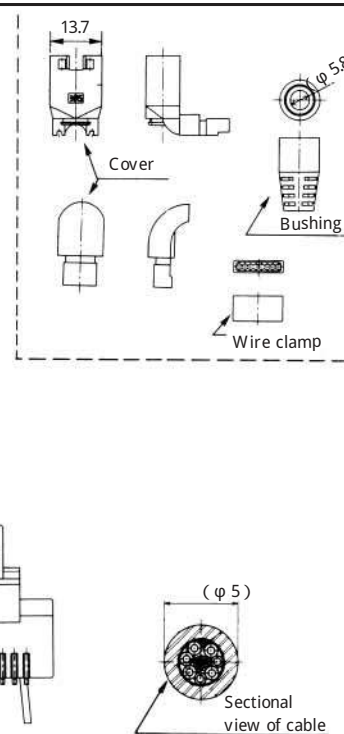
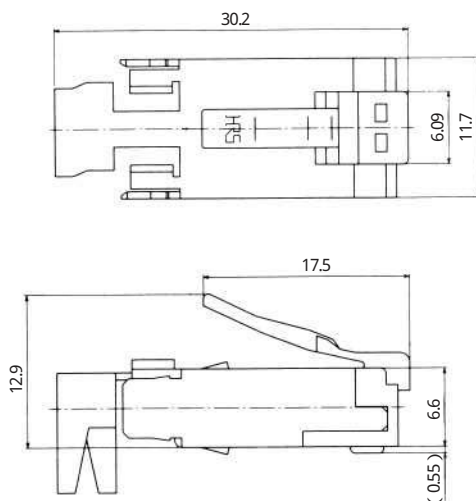
CL No.	Part No.	Cover Color	RoHS
222-2781-9	TM 11APA-88P	Light beige	YES
222-2781-9-03	TM 11APA-88P (03)	Black	

(Number of plugs in package:100)

T-shaped 8-conductor plug with cover

● TM 11APA1-88P (* *)

CL No.	Part No.	RoHS
222-2783-4	TM 11APA1-88P	YES



Note: Cover standard color is light beige

(Number of plugs in package:100)

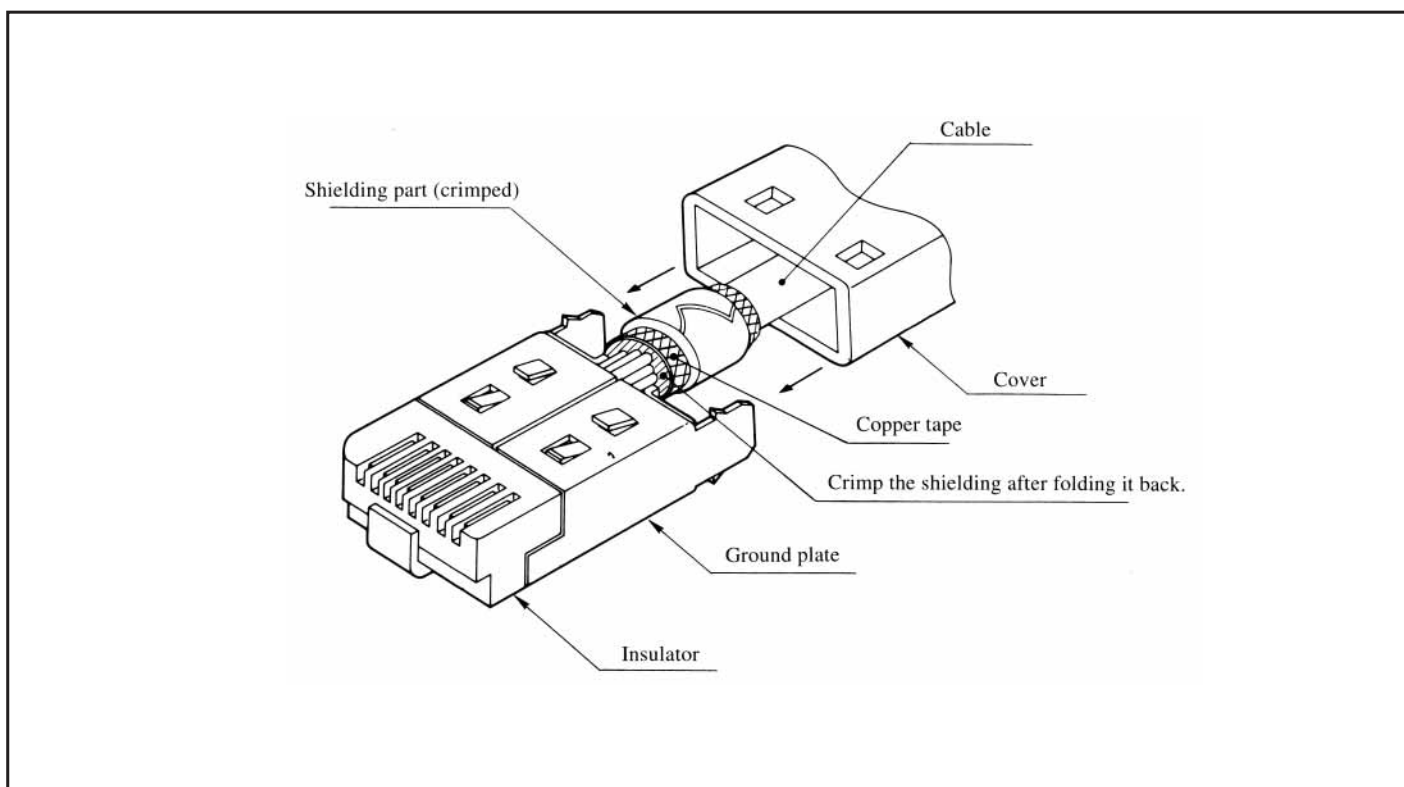
MODULAR CONNECTORS

Q 222 TM

● PLUG WIRING TOOL

Plug \ Jig	For contact/conductor termination		For cable and shield crimping	
	HRS No.	Part No.	HRS No.	Part No.
TM11「J」-66P	CL901-0938-4	Applicator 105-TM11P-66P	CL902-2020-5	TM11P-66P/CCT
	CL901-0001-0	CM-105C	CL902-0132-8	HOS-7
TM11AP「J」-88P	CL902-2532-0	HT603/TM21P-88P	CL902-2532-0	HT603/TM21P-88P

● PLUG ASSEMBLY DRAWING



Jul11.2023 Copyright 2023 HIROSE ELECTRIC CO., LTD. All Rights Reserved.