

# SAC-8PY-M/2XF BK 3-PSR - Y distributor



1054341

<https://www.phoenixcontact.com/us/products/1054341>

Please be informed that the data shown in this PDF document is generated from our online catalog. Please find the complete data in the user documentation. Our general terms of use for downloads are valid.



Y distributor for PSR-CT series RFID transponder switches, M12 male/female, 5- and 8-pos., for signal contact feedback to the PLC

## Product description

Type 3 Y distributor for integrated diagnostics via signal contact with PSR-CT safety circuits.

## Your advantages

- Easy signal contact feedback to the PLC
- Easy installation with M12 connection
- Eliminates wiring errors

## Commercial data

Item number	1054341
Packing unit	1 pc
Minimum order quantity	1 pc
Sales key	BF10
Product key	BF1GAC
Catalog page	Page 213 (C-6-2019)
GTIN	4055626702506
Weight per piece (including packing)	32.6 g
Weight per piece (excluding packing)	32.6 g
Customs tariff number	85366990
Country of origin	PL

# SAC-8PY-M/2XF BK 3-PSR - Y distributor



1054341

<https://www.phoenixcontact.com/us/products/1054341>

## Technical data

### Product properties

Product type	Y-distributor
Number of positions	8
No. of cable outlets	2
Shielded	no
Coding	A
Thread type	M12

### Insulation characteristics

Overvoltage category	II
Degree of pollution	3

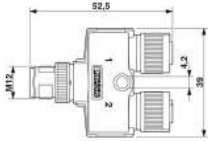
### Electrical properties

Contact resistance	$\leq 5 \text{ m}\Omega$
Insulation resistance	$\geq 100 \text{ M}\Omega$
Nominal voltage $U_N$	30 V AC
	30 V DC
Nominal current $I_N$	2 A

### Signaling

Status display	No
Status display present	No

### Dimensions

Dimensional drawing	
Width	39 mm
Height	16 mm
Length	52.5 mm
Center distance	21 mm

### Material specifications

Flammability rating according to UL 94	HB
Seal material	NBR
Material of grip body	TPU, hardly inflammable, self-extinguishing
Contact material	CuZn
Contact surface material	Ni/Au
Contact carrier material	TPU GF
Material for screw connection	Zinc die-cast, nickel-plated

1054341

<https://www.phoenixcontact.com/us/products/1054341>

## Connector

### Connection 1

Type	Plug straight M12 SPEEDCON
Coding type	A
Locking type	SPEEDCON

### Connection 2

Type	Socket straight M12 SPEEDCON
Coding type	A
Locking type	SPEEDCON

## Mechanical properties

### Mechanical data

Insertion/withdrawal cycles	≥ 100
-----------------------------	-------

## Environmental and real-life conditions

### Ambient conditions

Degree of protection	IP65
	IP67
Ambient temperature (operation)	-25 °C ... 90 °C (Plug / socket)

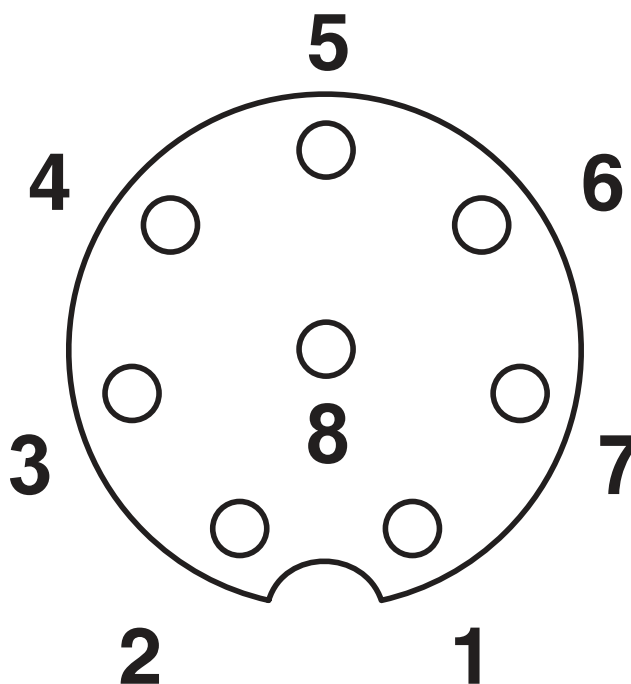
## Standards and regulations

### M12

Standard designation	M12 connector
Standards/specifications	IEC 61076-2-101

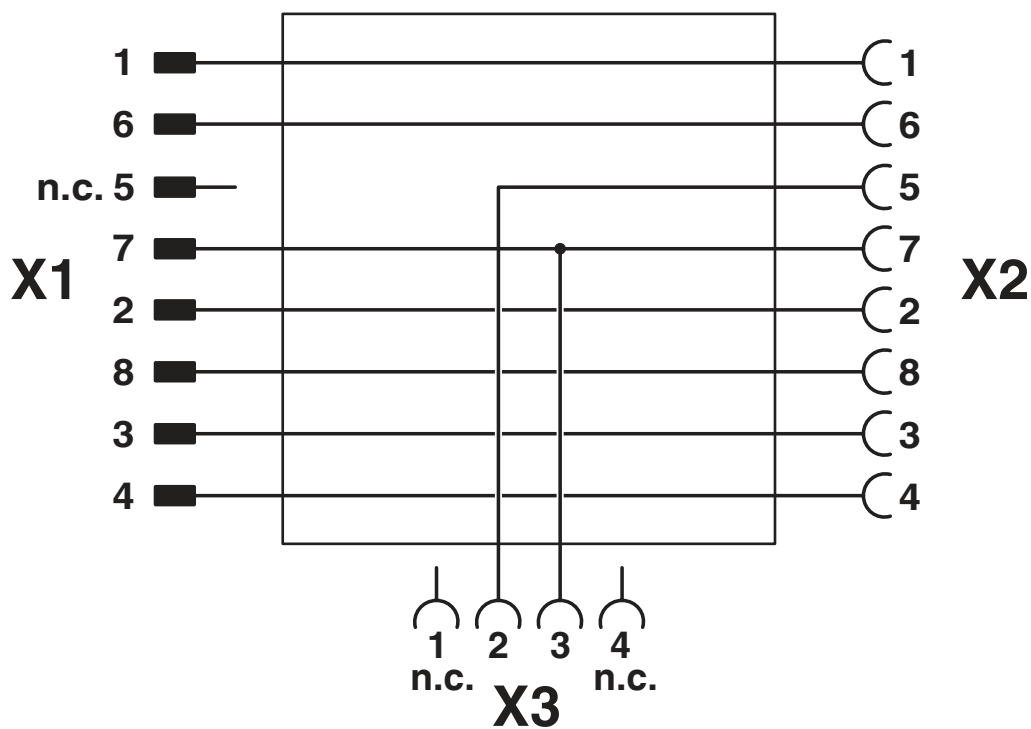
Drawings

Schematic diagram



Pin assignment M12 socket, 8-pos., A-coded, view female side

Circuit diagram

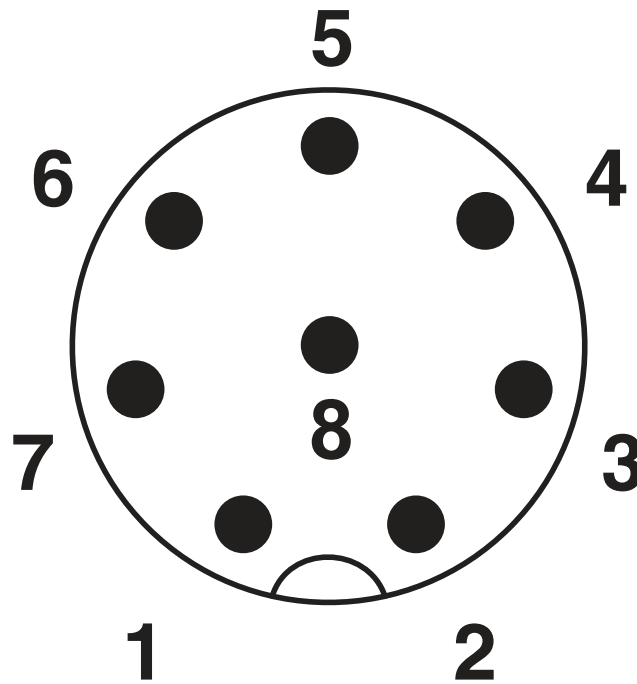


# SAC-8PY-M/2XF BK 3-PSR - Y distributor

1054341

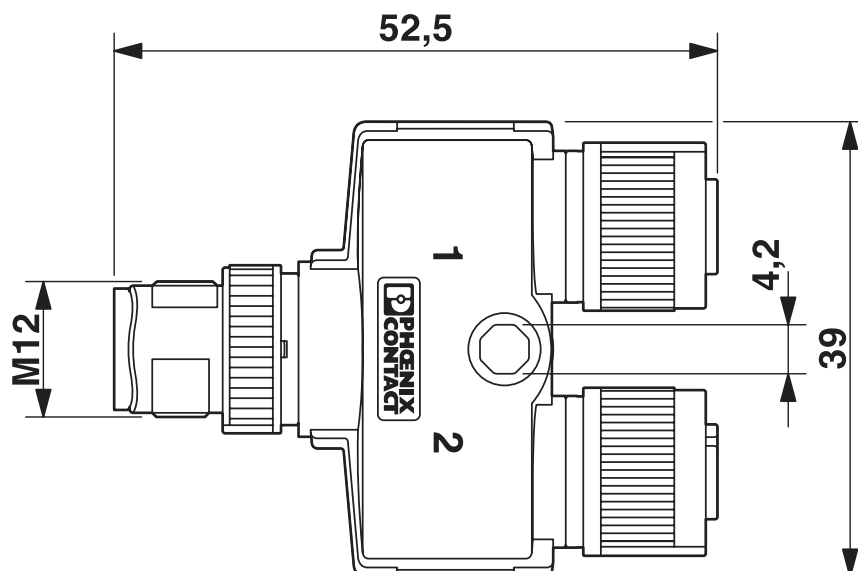
<https://www.phoenixcontact.com/us/products/1054341>

Schematic diagram



Pin assignment M12 plug, 8-pos., A-coded, view plug side

Dimensional drawing



M12 Y distributor

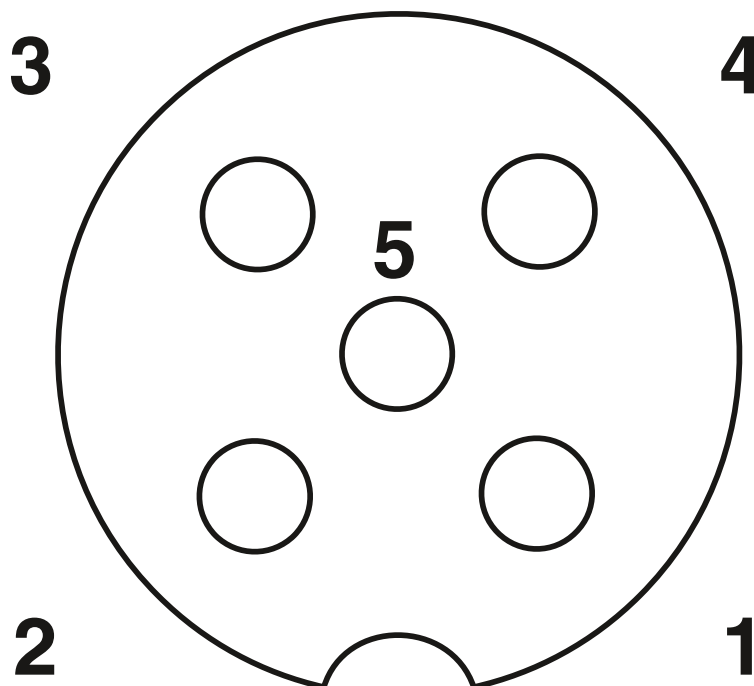
# SAC-8PY-M/2XF BK 3-PSR - Y distributor

1054341

<https://www.phoenixcontact.com/us/products/1054341>



Schematic diagram



Pin assignment M12 socket, 5-pos., A-coded, socket side view

# SAC-8PY-M/2XF BK 3-PSR - Y distributor



1054341

<https://www.phoenixcontact.com/us/products/1054341>

## Classifications

### ECLASS

ECLASS-11.0	27440106
ECLASS-12.0	27440106
ECLASS-13.0	27440106

### ETIM

ETIM 8.0	EC002925
----------	----------

### UNSPSC

UNSPSC 21.0	31251500
-------------	----------

# SAC-8PY-M/2XF BK 3-PSR - Y distributor



1054341

<https://www.phoenixcontact.com/us/products/1054341>

## Environmental product compliance

REACH SVHC	Lead 7439-92-1
China RoHS	Environmentally Friendly Use Period = 50 years
	For information on hazardous substances, refer to the manufacturer's declaration available under "Downloads"



# SAC-8PY-M/2XF BK 3-PSR - Y distributor



1054341

<https://www.phoenixcontact.com/us/products/1054341>

## Accessories

### PROT-M12 - Screw plug

1680539

<https://www.phoenixcontact.com/us/products/1680539>



An M12 screw plug for the unoccupied M12 sockets of the sensor/actuator cable, boxes and flush-type connectors

---

### PROT-M12 FS-M - Sealing cap

1430488

<https://www.phoenixcontact.com/us/products/1430488>



M12 metal sealing cap for unoccupied M12 plugs of the sensor/actuator cable, flush-type plugs and I/O devices in the field

# SAC-8PY-M/2XF BK 3-PSR - Y distributor



1054341

<https://www.phoenixcontact.com/us/products/1054341>

## PROT-M12 MS-PA-CHAIN - Screw plug

1430899

<https://www.phoenixcontact.com/us/products/1430899>

M12 sealing cap with fixing band, for sensor cables, for free M12 sockets



---

## PROT-M12 FS-PA-CHAIN - Sealing cap

1430873

<https://www.phoenixcontact.com/us/products/1430873>

M12 sealing cap made of plastic with fixing band, for sensor cables, for free M12 plugs



# SAC-8PY-M/2XF BK 3-PSR - Y distributor



1054341

<https://www.phoenixcontact.com/us/products/1054341>

## TSD 04 SAC - Torque screwdriver

1208429

<https://www.phoenixcontact.com/us/products/1208429>



Torque screwdriver, with preset torque of 0.4 Nm and 4 mm hexagonal drive for M12 connectors

---

## SAC BIT M12-D15 - Tool

1208432

<https://www.phoenixcontact.com/us/products/1208432>



Nut for assembling sensor/actuator cables with M12 connector and M12 connectors for assembly, with a knurl diameter of 15 mm, for 4 mm hexagonal drive

---

Phoenix Contact 2023 © - all rights reserved  
<https://www.phoenixcontact.com>

Phoenix Contact USA  
586 Fulling Mill Road  
Middletown, PA 17057, United States  
(+717) 944-1300  
[info@phoenixcon.com](mailto:info@phoenixcon.com)