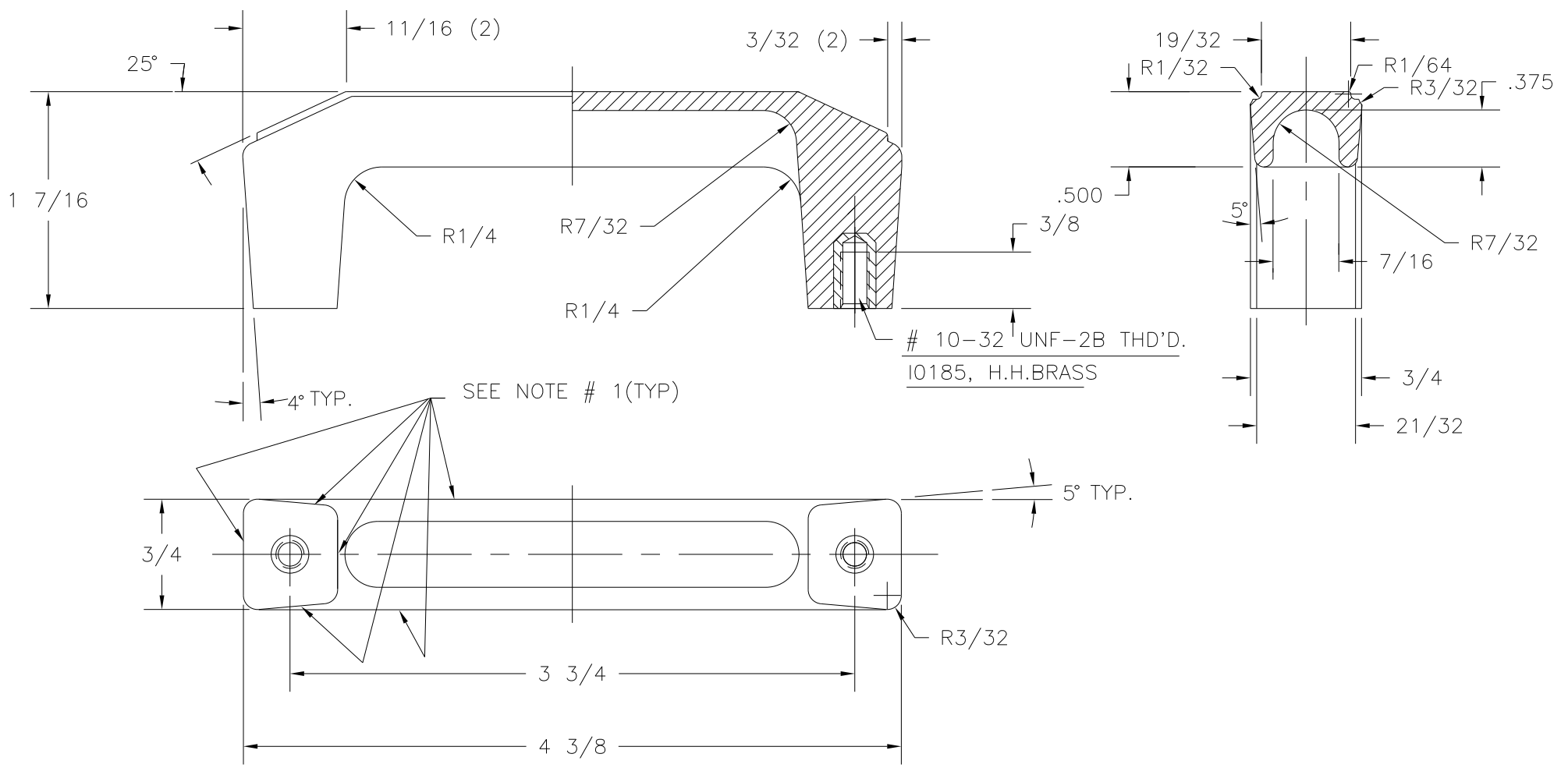


PART NAME: HANDLE SCALE: 1:1 DATE: 12/22/86 DR. BY HD
 THIS DRAWING IS THE PROPERTY OF DAVIES MOLDING COMPANY, IS SUBMITTED SOLELY AS A DESIGN OR ENGINEERING PROJECT.
 WE ACCEPT NO RESPONSIBILITY WHATSOEVER FOR THE PRACTICAL APPLICATION OF THE PIECES MADE TO THIS DESIGN.

DAVIES MOLDING DESIGNERS & MANUFACTURERS OF KNOBS, HANDLES, CASES & CUSTOM PLASTIC COMPONENTS

P/N	4555-C
M NO.	FRAME # 53
CAVITY	4555
CORE	4555
PIN	4555-A
INSERT	I0185

CAD/REDRAWN : 6/9/93 : HD



NOTE(S) : (1) ALL SHOWN SURFACES ARE TEXTURED (RE-6105) (B)

(A) (2) MATERIAL: NYLON
 COLOR: BLACK

TOLERANCES: UNLESS OTHERWISE SPECIFIED	DO NOT SCALE DRAWING			
DECIMALS: X.XXX ± .005 X.XX ± .015	MM: X.XX ± 0.15MM X.X ± 0.4MM	B	WAS POLYPROPYLENE	JAM 8/20/09
FRACTIONS ± 1/64	ANG. ± 1°	A	MAT'L WAS ABS	HD 4/4/94
CHANGES				