

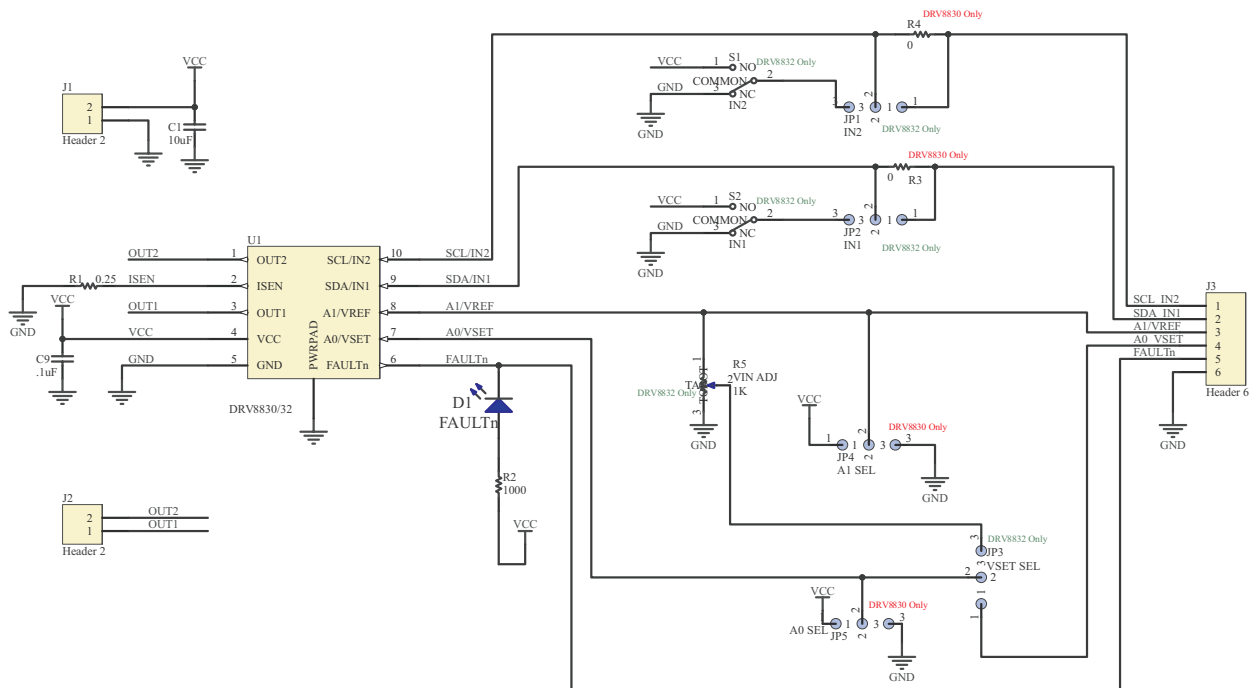
DRV8830/DRV8832 Evaluation Module

This document is provided with the DRV8830 and DRV8832 customer evaluation module (EVM) as a supplement to the DRV8830 ([SLVSAB2](#)) and DRV8832 ([SLVSAB3](#)) datasheets. It details the hardware implementation of the EVM.

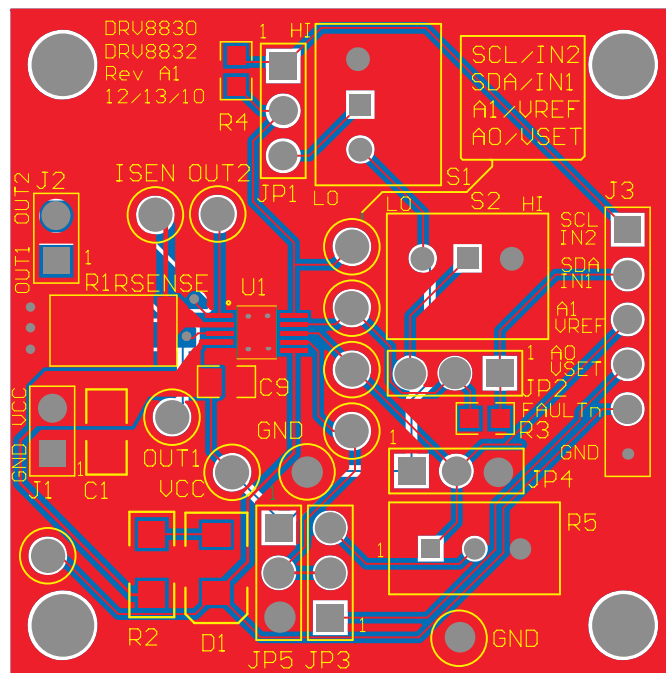
Contents

1	Schematic	2
2	PCB layout	2
3	Connectors	3
	3.1 Control (J3)	3
	3.2 Motor Output (J2)	3
	3.3 Power Connector (J1)	3
4	Jumpers and Controls	3
	4.1 DRV8830 EVM Jumpers and Controls	3
	4.2 DRV8832 EVM Jumpers and Controls	4
5	LED	4
6	Test Points	4
7	Current Limit Sense Resistor (R1)	4

1 Schematic



2 PCB layout



3 Connectors

3.1 Control (J3)

The control connections to the DRV8830 or DRV8832 are made through the header J3. Connections are clearly labeled on the PCB.

Note that pins 1, 2, 3 and 4 have different meanings depending on whether a DRV8830 or DRV8832 device is mounted to the board. If using a DRV8830 with I²C interface, pin 1 is SCL (serial clock) and pin 2 is SDA (serial data); if using a DRV8832, pin 2 is IN1 and pin 1 is IN2.

Note that depending on the location of jumpers JP1, JP2 and JP4, the control pins, can either be routed from the J3 header to the device, or be generated from the on-board switches and voltage set trimpot. Refer to the schematic and the jumper descriptions below.

3.2 Motor Output (J2)

The motor is connected to the module through header J2, labeled OUT1 and OUT2. The polarity will affect the direction that the motor turns – refer to the datasheet for details.

3.3 Power Connector (J1)

Power is applied to the module through header J1, labeled VCC and GND. Apply a voltage between 2.75 V and 6 V to this connector. Be sure to observe the correct polarity (VCC is positive, GND is negative).

4 Jumpers and Controls

4.1 DRV8830 EVM Jumpers and Controls

4.1.1 JP4 and JP5 – I²C Slave Address Select

JP4 and JP5 are used to select the base I²C address of the DRV8830. There are three possible states for each of the jumpers: installing a jumper between pins 2 and 3 sets the corresponding input pin to 0, placing a jumper between pins 1 and 2 sets the pin to 1, and leaving the jumper off sets the pin to Z (open). The resulting base address is set as follows:

Table 1. I²C Slave Address Select

JP2	JP3	ADDRESS (WRITE)	ADDRESS (READ)
pin 2-3	pin 2-3	0xC0h	0xC1h
pin 2-3	open	0xC2h	0xC3h
pin 2-3	pin 1-2	0xC4h	0xC5h
open	pin 2-3	0xC6h	0xC7h
open	open	0xC8h	0xC9h
open	pin 1-2	0xCAh	0xCBh
pin 1-2	pin 2-3	0xCCh	0xCDh
pin 1-2	open	0xCEh	0xCFh
pin 1-2	pin 1-2	0xD0h	0xD1h

4.2 DRV8832 EVM Jumpers and Controls

4.2.1 JP3 – VSET Source Select

JP3 is used to select the signal source for the VSET pin of the DRV8832. If a jumper is placed between pins 1 and 2, the pin is connected to the J3 header, so a signal can be supplied externally. If a jumper is placed between pins 2 and 3, the signal comes from the on-board trimpot R5 (fed by the VREF output of the DRV8832), so you can set the motor voltage (speed) by adjusting R5.

4.2.2 JP1 – IN2 Source Select

JP1 is used to select the signal source for the IN2 pin of the DRV8832. If a jumper is placed between pins 1 and 2, the pin is connected to the J3 header, so a signal can be supplied externally. If a jumper is placed between pins 2 and 3 (as shipped), the signal comes from the toggle switch S1, which allows you to control the motor directly.

4.2.3 JP2 – IN1 Source Select

JP2 is used to select the signal source for the IN1 pin of the DRV8832. If a jumper is placed between pins 1 and 2, the pin is connected to the J3 header, so a signal can be supplied externally. If a jumper is placed between pins 2 and 3 (as shipped), the signal comes from the toggle switch S2, which allows you to control the motor directly.

4.2.4 R5 – VSET Adjust

R5 allows for the generation and adjustment of the VSET voltage directly on the EVM. The VSET voltage is derived from the VREF output of the DRV8832, divided down by the trimpot. To use R5, JP1 has to have pins 2 and 3 connected by a jumper.

4.2.5 S1 and S2 – IN2 and IN1

As noted above, if JP1 and JP2 have jumpers placed between pins 2 and 3, the toggle switches S1 and S2 can be used to directly control the IN2 and IN1 inputs of the DRV8832. Refer to the DRV8832 datasheet ([SLVSAB3](#)) for details. Note that the switches are labeled on the DRV8830/32 PCB – S1 controls IN2, and S2 controls IN1.

5 LED

A red LED is installed on the FAULTn output that will illuminate when the FAULTn pin goes active low. Refer to the datasheet for details on the FAULTn output.

6 Test Points

Test points are provided on all signals that connect to the pins of the DRV8830 or DRV8832. Refer to the schematic and PCB drawings above.

7 Current Limit Sense Resistor (R1)

Resistor R5 on the PCB is the current limit sense resistor. A 0.25-Ω resistor is installed at the factory, which corresponds to a current limit of 0.8 A. You may want to change this resistor if you wish to adjust the current limit, or short it to defeat the current limit entirely. Refer to the datasheet for more information.

Evaluation Board/Kit Important Notice

Texas Instruments (TI) provides the enclosed product(s) under the following conditions:

This evaluation board/kit is intended for use for **ENGINEERING DEVELOPMENT, DEMONSTRATION, OR EVALUATION PURPOSES ONLY** and is not considered by TI to be a finished end-product fit for general consumer use. Persons handling the product(s) must have electronics training and observe good engineering practice standards. As such, the goods being provided are not intended to be complete in terms of required design-, marketing-, and/or manufacturing-related protective considerations, including product safety and environmental measures typically found in end products that incorporate such semiconductor components or circuit boards. This evaluation board/kit does not fall within the scope of the European Union directives regarding electromagnetic compatibility, restricted substances (RoHS), recycling (WEEE), FCC, CE or UL, and therefore may not meet the technical requirements of these directives or other related directives.

Should this evaluation board/kit not meet the specifications indicated in the User's Guide, the board/kit may be returned within 30 days from the date of delivery for a full refund. **THE FOREGOING WARRANTY IS THE EXCLUSIVE WARRANTY MADE BY SELLER TO BUYER AND IS IN LIEU OF ALL OTHER WARRANTIES, EXPRESSED, IMPLIED, OR STATUTORY, INCLUDING ANY WARRANTY OF MERCHANTABILITY OR FITNESS FOR ANY PARTICULAR PURPOSE.**

The user assumes all responsibility and liability for proper and safe handling of the goods. Further, the user indemnifies TI from all claims arising from the handling or use of the goods. Due to the open construction of the product, it is the user's responsibility to take any and all appropriate precautions with regard to electrostatic discharge.

EXCEPT TO THE EXTENT OF THE INDEMNITY SET FORTH ABOVE, NEITHER PARTY SHALL BE LIABLE TO THE OTHER FOR ANY INDIRECT, SPECIAL, INCIDENTAL, OR CONSEQUENTIAL DAMAGES.

TI currently deals with a variety of customers for products, and therefore our arrangement with the user **is not exclusive.**

TI assumes **no liability for applications assistance, customer product design, software performance, or infringement of patents or services described herein.**

Please read the User's Guide and, specifically, the Warnings and Restrictions notice in the User's Guide prior to handling the product. This notice contains important safety information about temperatures and voltages. For additional information on TI's environmental and/or safety programs, please contact the TI application engineer or visit www.ti.com/esh.

No license is granted under any patent right or other intellectual property right of TI covering or relating to any machine, process, or combination in which such TI products or services might be or are used.

FCC Warning

This evaluation board/kit is intended for use for **ENGINEERING DEVELOPMENT, DEMONSTRATION, OR EVALUATION PURPOSES ONLY** and is not considered by TI to be a finished end-product fit for general consumer use. It generates, uses, and can radiate radio frequency energy and has not been tested for compliance with the limits of computing devices pursuant to part 15 of FCC rules, which are designed to provide reasonable protection against radio frequency interference. Operation of this equipment in other environments may cause interference with radio communications, in which case the user at his own expense will be required to take whatever measures may be required to correct this interference.

EVM Warnings and Restrictions

It is important to operate this EVM within the input voltage range of 0 V to 6 V and the output voltage range of 0 V to 6 V.

Exceeding the specified input range may cause unexpected operation and/or irreversible damage to the EVM. If there are questions concerning the input range, please contact a TI field representative prior to connecting the input power.

Applying loads outside of the specified output range may result in unintended operation and/or possible permanent damage to the EVM. Please consult the EVM User's Guide prior to connecting any load to the EVM output. If there is uncertainty as to the load specification, please contact a TI field representative.

During normal operation, some circuit components may have case temperatures greater than 60°C. The EVM is designed to operate properly with certain components above 60°C as long as the input and output ranges are maintained. These components include but are not limited to linear regulators, switching transistors, pass transistors, and current sense resistors. These types of devices can be identified using the EVM schematic located in the EVM User's Guide. When placing measurement probes near these devices during operation, please be aware that these devices may be very warm to the touch.

Mailing Address: Texas Instruments, Post Office Box 655303, Dallas, Texas 75265
Copyright © 2011, Texas Instruments Incorporated

IMPORTANT NOTICE

Texas Instruments Incorporated and its subsidiaries (TI) reserve the right to make corrections, modifications, enhancements, improvements, and other changes to its products and services at any time and to discontinue any product or service without notice. Customers should obtain the latest relevant information before placing orders and should verify that such information is current and complete. All products are sold subject to TI's terms and conditions of sale supplied at the time of order acknowledgment.

TI warrants performance of its hardware products to the specifications applicable at the time of sale in accordance with TI's standard warranty. Testing and other quality control techniques are used to the extent TI deems necessary to support this warranty. Except where mandated by government requirements, testing of all parameters of each product is not necessarily performed.

TI assumes no liability for applications assistance or customer product design. Customers are responsible for their products and applications using TI components. To minimize the risks associated with customer products and applications, customers should provide adequate design and operating safeguards.

TI does not warrant or represent that any license, either express or implied, is granted under any TI patent right, copyright, mask work right, or other TI intellectual property right relating to any combination, machine, or process in which TI products or services are used. Information published by TI regarding third-party products or services does not constitute a license from TI to use such products or services or a warranty or endorsement thereof. Use of such information may require a license from a third party under the patents or other intellectual property of the third party, or a license from TI under the patents or other intellectual property of TI.

Reproduction of TI information in TI data books or data sheets is permissible only if reproduction is without alteration and is accompanied by all associated warranties, conditions, limitations, and notices. Reproduction of this information with alteration is an unfair and deceptive business practice. TI is not responsible or liable for such altered documentation. Information of third parties may be subject to additional restrictions.

Resale of TI products or services with statements different from or beyond the parameters stated by TI for that product or service voids all express and any implied warranties for the associated TI product or service and is an unfair and deceptive business practice. TI is not responsible or liable for any such statements.

TI products are not authorized for use in safety-critical applications (such as life support) where a failure of the TI product would reasonably be expected to cause severe personal injury or death, unless officers of the parties have executed an agreement specifically governing such use. Buyers represent that they have all necessary expertise in the safety and regulatory ramifications of their applications, and acknowledge and agree that they are solely responsible for all legal, regulatory and safety-related requirements concerning their products and any use of TI products in such safety-critical applications, notwithstanding any applications-related information or support that may be provided by TI. Further, Buyers must fully indemnify TI and its representatives against any damages arising out of the use of TI products in such safety-critical applications.

TI products are neither designed nor intended for use in military/aerospace applications or environments unless the TI products are specifically designated by TI as military-grade or "enhanced plastic." Only products designated by TI as military-grade meet military specifications. Buyers acknowledge and agree that any such use of TI products which TI has not designated as military-grade is solely at the Buyer's risk, and that they are solely responsible for compliance with all legal and regulatory requirements in connection with such use.

TI products are neither designed nor intended for use in automotive applications or environments unless the specific TI products are designated by TI as compliant with ISO/TS 16949 requirements. Buyers acknowledge and agree that, if they use any non-designated products in automotive applications, TI will not be responsible for any failure to meet such requirements.

Following are URLs where you can obtain information on other Texas Instruments products and application solutions:

Products

Audio	www.ti.com/audio
Amplifiers	amplifier.ti.com
Data Converters	dataconverter.ti.com
DLP® Products	www.dlp.com
DSP	dsp.ti.com
Clocks and Timers	www.ti.com/clocks
Interface	interface.ti.com
Logic	logic.ti.com
Power Mgmt	power.ti.com
Microcontrollers	microcontroller.ti.com
RFID	www.ti-rfid.com
RF/IF and ZigBee® Solutions	www.ti.com/lprf

Applications

Communications and Telecom	www.ti.com/communications
Computers and Peripherals	www.ti.com/computers
Consumer Electronics	www.ti.com/consumer-apps
Energy and Lighting	www.ti.com/energy
Industrial	www.ti.com/industrial
Medical	www.ti.com/medical
Security	www.ti.com/security
Space, Avionics and Defense	www.ti.com/space-avionics-defense
Transportation and Automotive	www.ti.com/automotive
Video and Imaging	www.ti.com/video
Wireless	www.ti.com/wireless-apps

TI E2E Community Home Page

e2e.ti.com

Mailing Address: Texas Instruments, Post Office Box 655303, Dallas, Texas 75265
Copyright © 2011, Texas Instruments Incorporated