

REVISIONS

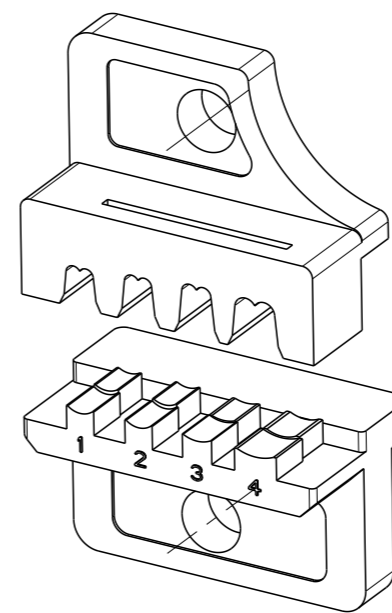
P	LTR	DESCRIPTION	DATE	DWN	APVD
	A1	ECR-16-004980	06APR2016	BM	GS

# HAND TOOL / DIE SET KIT I

## Handzange / Matrizen Kit I


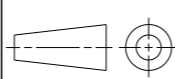
Kontaktname Contact Name	Kontakt P/N Contact P/N		Drahtgrosse Wire Size	Verarb. Spez. Appl. Spec.	Nest Position	Matrizen P/N Die Set P/N
	Buchsenkontakt Socket Contact	Stiftkontakt Pin Contact				
			mm <sup>2</sup>			
MQS	963726	963725	0.35	114-18021-1	1	734776-1
MQS	963726	963725	0.50		2	
MQS	963729	963730	0.75		3	
MQS/EDS	963727	963728	0.35	114-18021-1	1	734777-1
MQS/EDS	963727	963728	0.50		2	
MQS/EDS	963907	963909	0.75		3	
Micro-Timer 3	965915	963899	0.35	114-18081	1	734778-1
Micro-Timer 3	965915	963899	0.50		2	
E 95	963913		0.35	114-18070	3	
E 95	963915		0.50-1.00		4	
JPT	927774		0.35	114-18050	1	734779-1
JPT	927779		0.50-1.00		2	
JPT	927777		1.50-2.50		3	
E 95/EDS	967232		0.35	114-18070	1	734780-1
E 95/EDS	967234		0.50-1.00		2	
JPT/EDS	929940		0.50-1.00	114-18050	3	
JPT/EDS	929938		1.50-2.50		4	

0-0734787-3	1	1-0539634-2	Case Label	Kofferaufkleber	9
	1	539634-2	Case data schedule	Einlegeblatt	8
	1	734787-1	Case small	Koffer klein	7
	1	734200-3	Hand Tool	Handzange	6
	1	734780-1	Die Set	Crimpeinsatz	5
	1	734779-1	Die Set	Crimpeinsatz	4
	1	734778-1	Die Set	Crimpeinsatz	3
	1	734777-1	Die Set	Crimpeinsatz	2
	1	734776-1	Die Set	Crimpeinsatz	1
<b>QTY Stck</b>	<b>P/N</b>	<b>Description</b>	<b>Benennung</b>	<b>Pos.</b>	



# OBSOLETE

Matrizen fuer Service Handzange P/N 734200-3  
Die sets for Service Hand Tool P/N 734200-3

THIS DRAWING IS A CONTROLLED DOCUMENT.		DWN Ch.Witt	02MAY2008	 TE Connectivity	
DIMENSIONS: mm		CHK -	APVD -		
		TOLERANCES UNLESS OTHERWISE SPECIFIED:		DB-ASSORTMENT KIT I DB-SORTIMENT KIT I	
MATERIAL -		FINISH -		PRODUCT SPEC -	APPLICATION SPEC -
		0 PLC ± 1 PLC ± 2 PLC ± 3 PLC ± 4 PLC ± ANGLES ±1°		SIZE A3	CAGE CODE 00779
				DRAWING NO G=734787-3	RESTRICTED TO -
				WEIGHT -	SCALE 1:1
				CUSTOMER DRAWING	SHEET 1 OF 1
					REV A1