

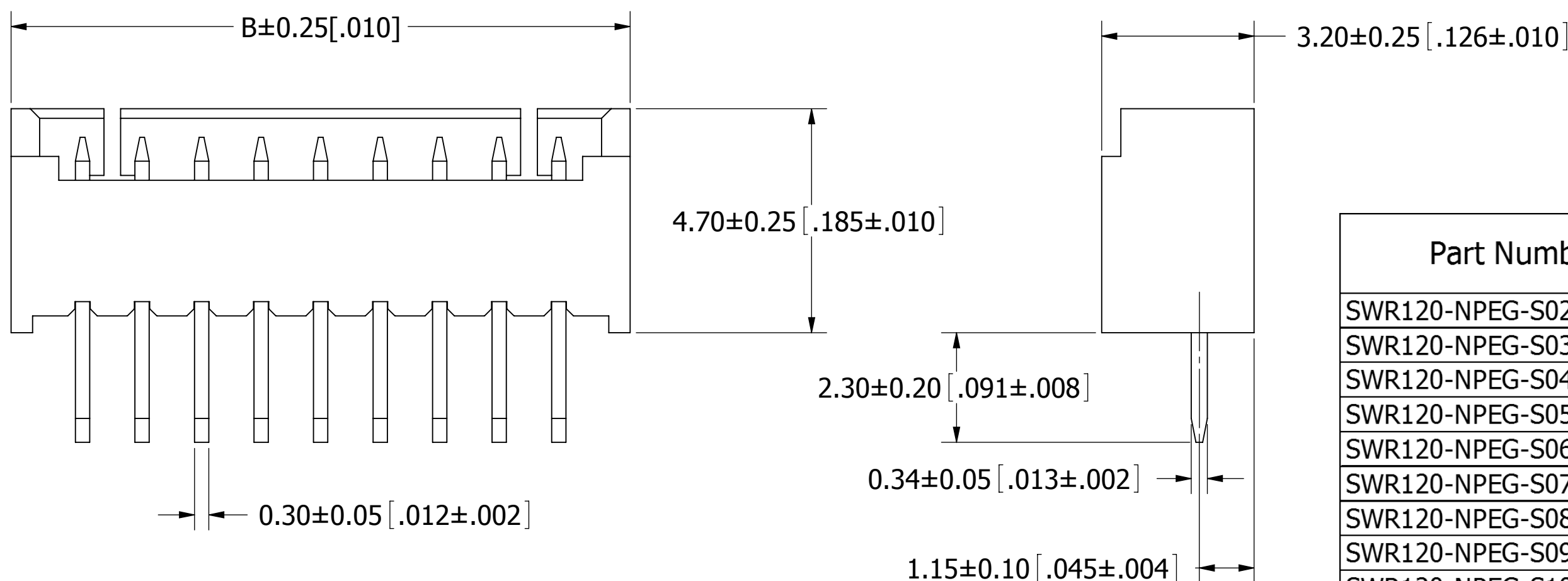
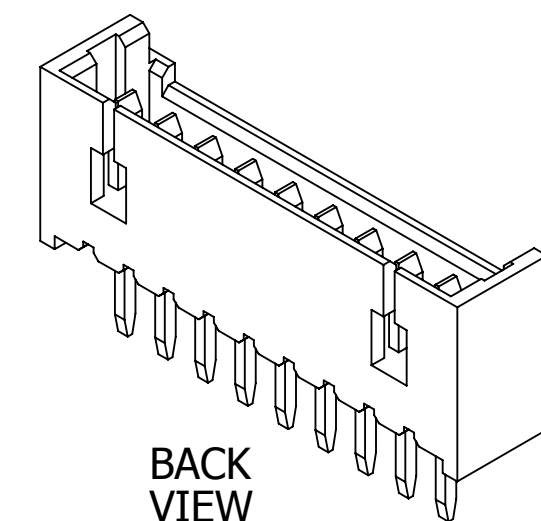
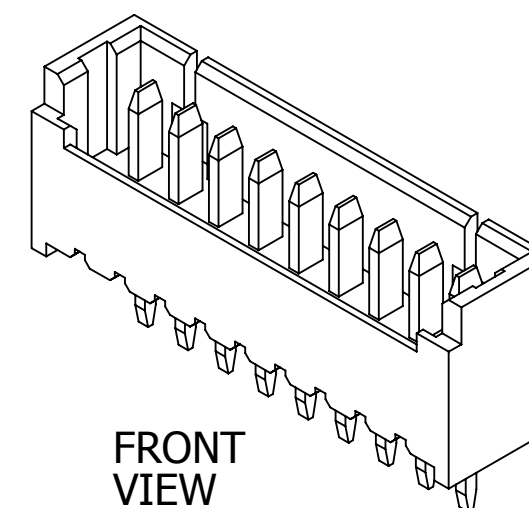
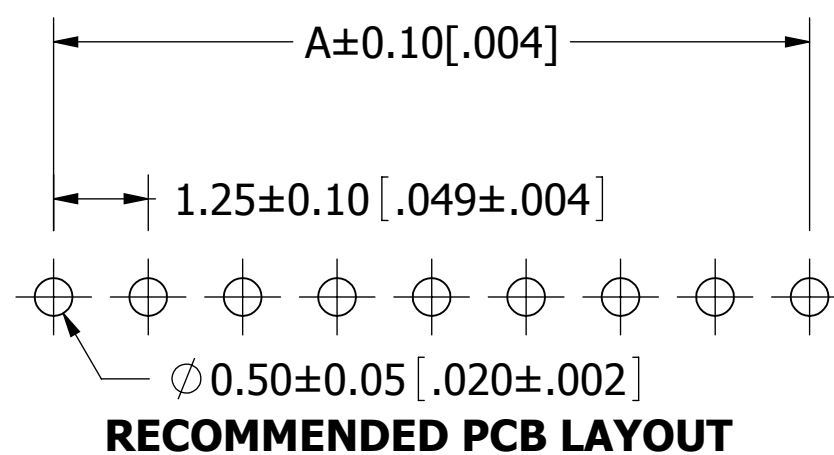
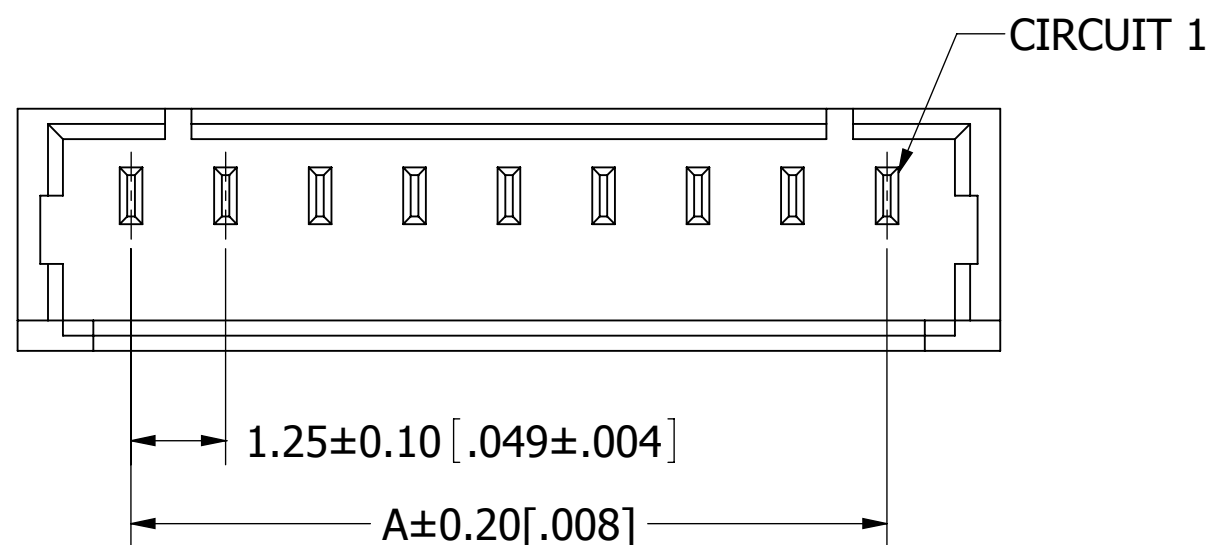
PART NUMBER CODING

SWR120-NPEG-S__-ST-BG

NUMBER OF POSITIONS

(CONTACTS PER ROW)

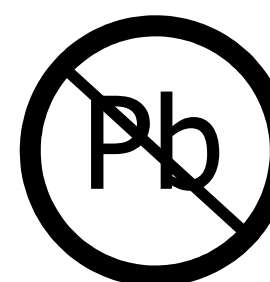
| REVISIONS | | | | |
|-----------|---------|-----------------|-----------|----|
| REV. | ECO. NO | DESCRIPTION | DATE | BY |
| A | 2002 | INITIAL RELEASE | 7/17/2009 | JH |



| Part Number | Positions/ Contacts | A | | B | |
|-----------------------|------------------------|-------|-------|-------|-------|
| | | MM | INCH | MM | INCH |
| SWR120-NPEG-S02-ST-BG | 02/02 | 1.25 | 0.049 | 4.25 | 0.167 |
| SWR120-NPEG-S03-ST-BG | 03/03 | 2.50 | 0.098 | 5.50 | 0.217 |
| SWR120-NPEG-S04-ST-BG | 04/04 | 3.75 | 0.148 | 6.75 | 0.266 |
| SWR120-NPEG-S05-ST-BG | 05/05 | 5.00 | 0.197 | 8.00 | 0.315 |
| SWR120-NPEG-S06-ST-BG | 06/06 | 6.25 | 0.246 | 9.25 | 0.364 |
| SWR120-NPEG-S07-ST-BG | 07/07 | 7.50 | 0.295 | 10.50 | 0.413 |
| SWR120-NPEG-S08-ST-BG | 08/08 | 8.75 | 0.344 | 11.75 | 0.463 |
| SWR120-NPEG-S09-ST-BG | 09/09 | 10.00 | 0.394 | 13.00 | 0.512 |
| SWR120-NPEG-S10-ST-BG | 10/10 | 11.25 | 0.443 | 14.25 | 0.561 |
| SWR120-NPEG-S11-ST-BG | 11/11 | 12.50 | 0.492 | 15.50 | 0.610 |
| SWR120-NPEG-S12-ST-BG | 12/12 | 13.75 | 0.541 | 16.75 | 0.659 |
| SWR120-NPEG-S13-ST-BG | 13/13 | 15.00 | 0.591 | 18.00 | 0.709 |
| SWR120-NPEG-S14-ST-BG | 14/14 | 16.25 | 0.640 | 19.25 | 0.758 |
| SWR120-NPEG-S15-ST-BG | 15/15 | 17.50 | 0.689 | 20.50 | 0.807 |

NOTES:

- INSULATOR MATERIAL: NYLON6T, UL94V-0, COLOR:BEIGE.
- CONTACT MATERIAL: PHOSPHOR BRONZE.
- CONTACT PLATING: TIN OVERALL.
- CURRENT RATING: 1 AMP.
- VOLTAGE RATING: 125V AC/DC.
- INSULATOR RESISTANCE: 100 MEGOHMS MIN.
- CONTACT RESISTANCE: 20 MILLIOHMS MAX.
- DIELECTRIC WITHSTANDING VOLTAGE: 500V AC.
- OPERATING TEMPERATURE: -25° C TO +85° C.
- MATES WITH SWH120 SERIES SINGLE ROW HOUSING.



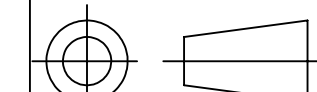
RoHS COMPLIANT

UNLESS OTHERWISE SPECIFIED:
DIMENSIONS ARE IN MM [INCHES]

TOLERANCES:
ANGULAR: ± 5°
.X= ± .3 [.01]
.XX= ± .15 [.006]
.XXX= ± .050 [.0020]
SURFACE FINISH: 63 R_a
REMOVE ALL BURRS AND SHARP EDGES .010 MAX

INTERPRET DIMENSIONS AND GEOMETRIC TOLERANCING PER: ANSI Y14.5M-1994

DATE: 7/30/2009
NAME: JH
DRAWN: JH



SULLINS
CONNECTOR SOLUTIONS

DESCRIPTION: WAFER, 1.25mm CC, 1 ROW, ST

PART NUMBER
SWR120-NPEG-S__-ST-BG

SIZE: C DWG. NO. 11292 REV. A

SCALE: 10:1 SHEET 1 OF 1