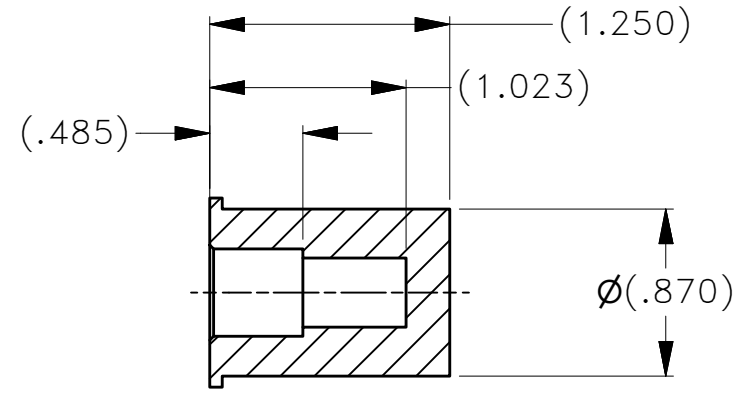
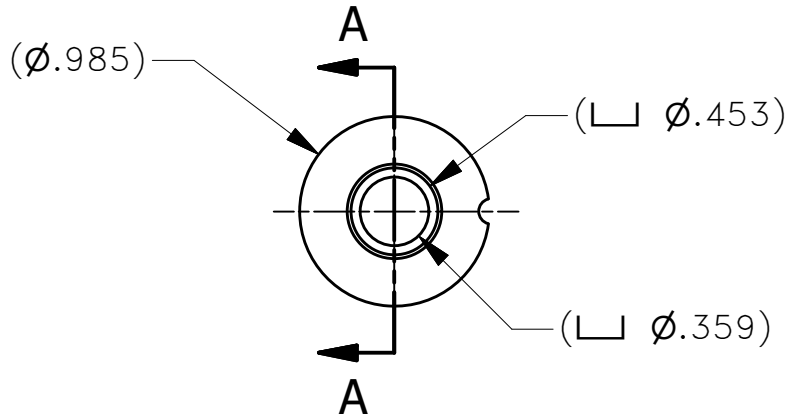


USE WITH AMT23004DA DIE ASSEMBLY



SECTION A-A

REV SYM		ECO NUMBER	DESCRIPTION	BY DATE	APP'D DATE
A			NEW RELEASE	DYO 12-18-13	MMK 12-18-13

UNCONTROLLED DOCUMENT
WILL NOT BE UPDATED

NOTES: 1. THIS IS AN ICAD DRAWING. DO NOT CHANGE MANUALLY.

MATERIAL	ITEM	PART NO.	QTY.	DESCRIPTION/REMARKS
REF: 2024 ALUM	DRN. M.KANETOMI	DATE DYO		CAGE 58164
	CHK'D. MMK	DATE 12-18-13		ASTRO TOOL CORP. 21615 S.W. THIALATIN VALLEY HWY., BEAVERTON OR 97006
HEAT TREAT N/A	APP'D.	DATE		TITLE ENVELOPE DRAWING: AMT23190L LOCATOR, 4 GAGE
	APP'D.	DATE		WHERE USED:
CREATED FROM AN INVENTOR MODEL. CHANGES MUST BE REFLECTED IN THE 3D PART	FINISH	TOLERANCE: UNLESS OTHERWISE SPECIFIED FRACTIONS ± 1/32 ANGLES ± 1° DECIMAL INCHES: .X ± .030 .XX ± .010 .XXX ± .005 .XXXX ± .0005 REMOVE BURRS AND BREAK SHARP EDGES .005-.015	SIZE A	SCALE N/A
DO NOT SCALE DRAWING			CAD P/N AMT23190L-ENV_RA	SHEET OF 10 F1
			POSTING	P/N AMT23190L-ENV
				REV. A