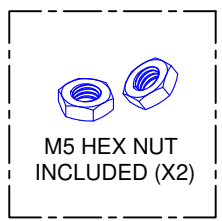
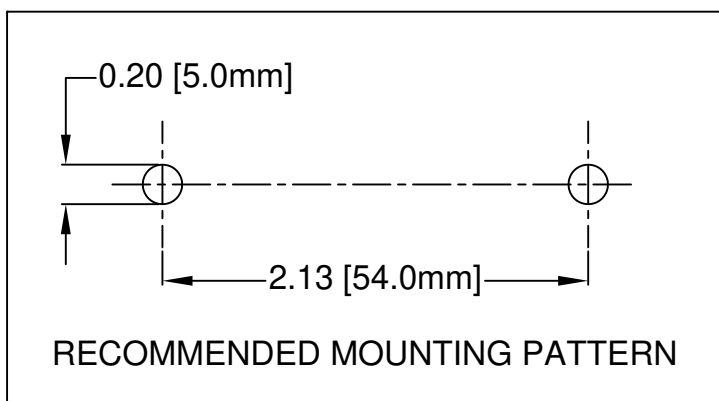
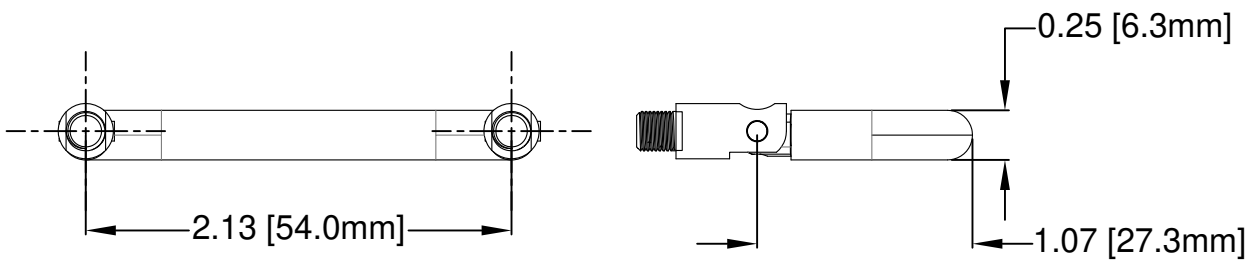
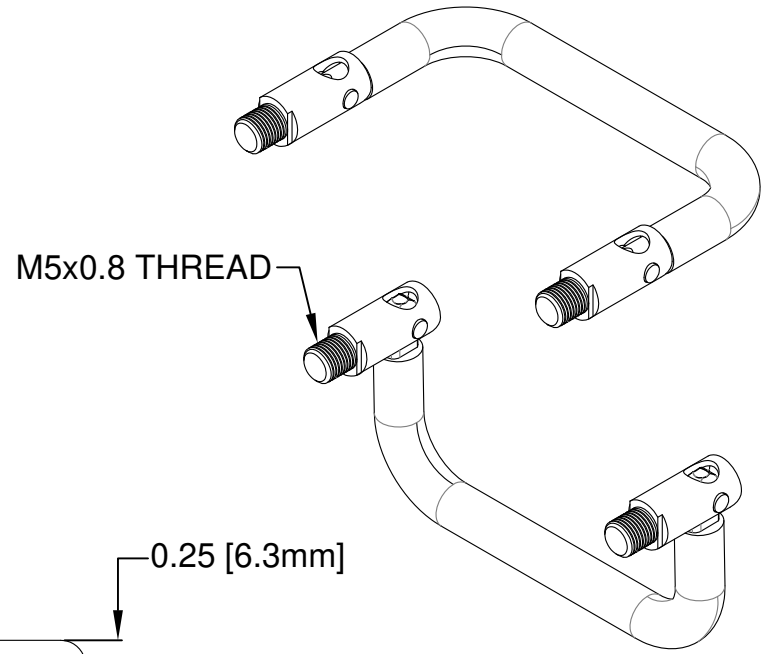
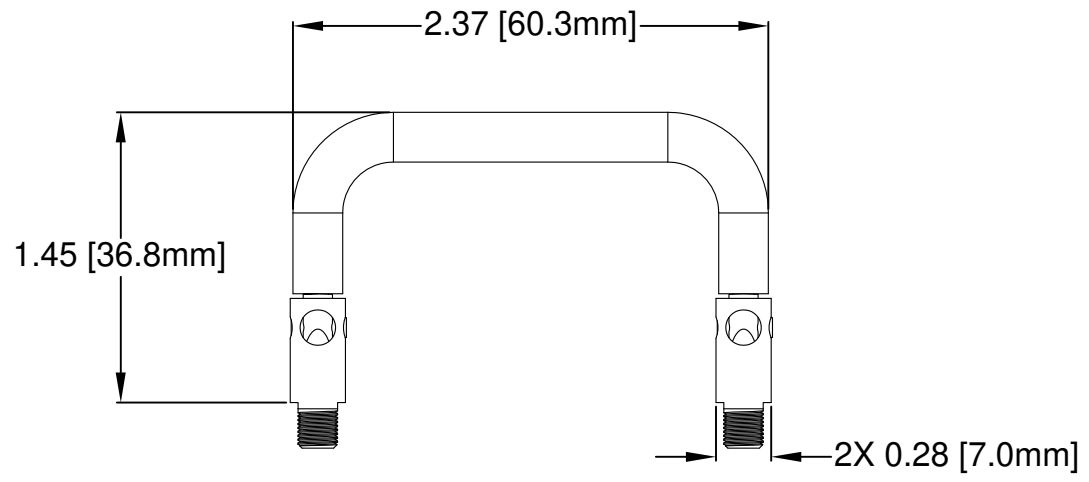


REV.	DESCRIPTION	DATE	APPROVED
A	Engineering Release	08/13/14	J. C.
B	Engineering Update w/o Changes	05/21/16	J. C.



NOTES:  
 2. MOUNTING HARDWARE SHIPPED UNASSEMBLED  
 1. MATERIALS: HANDLE, UL94V-0 NYLON 6/6, GLASS FILLED, BLACK/ STEEL BOLTS

STANDARD TOLERANCE (UNLESS OTHERWISE SPECIFIED)		 4 THOMAS, IRVINE, CA. 92618 TEL: (949) 951-8808 FAX: (949) 951-3974	
DECIMALS	ANGULAR		
.X ± .1	X° ± 1°		<b>TITLE:</b> LOW PROFILE FOLDABLE SUBRACK HANDLE, LARGE
.XX ± .02			
.XXX ± .010		<b>DESIGNED:</b> A. Wright	<b>REVISION:</b> B
		<b>CHECKED:</b> B. Oliver	<b>DATE:</b> 08/13/14
		<b>CAGE CODE :</b> 32559	<b>SHEET #</b> 1 OF 1
CAD GENERATED DOCUMENT. DO NOT MEASURE DRAWING.			