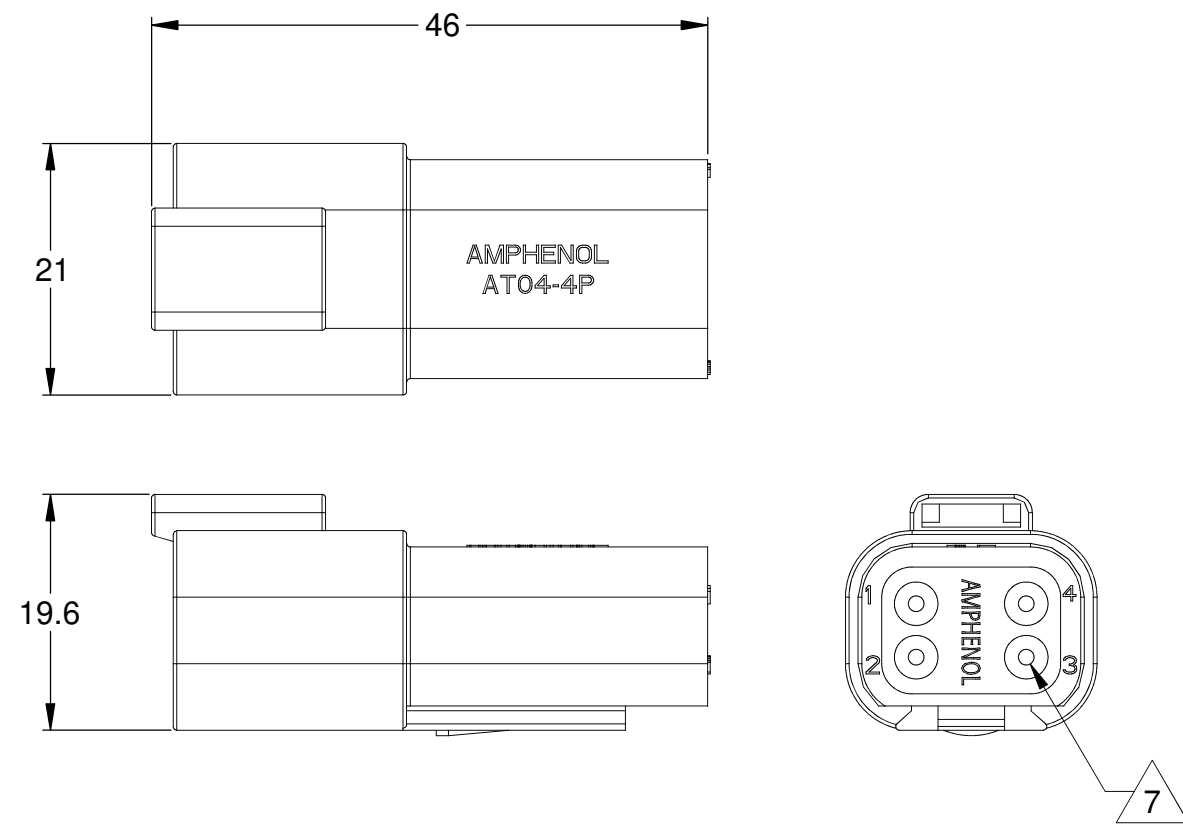
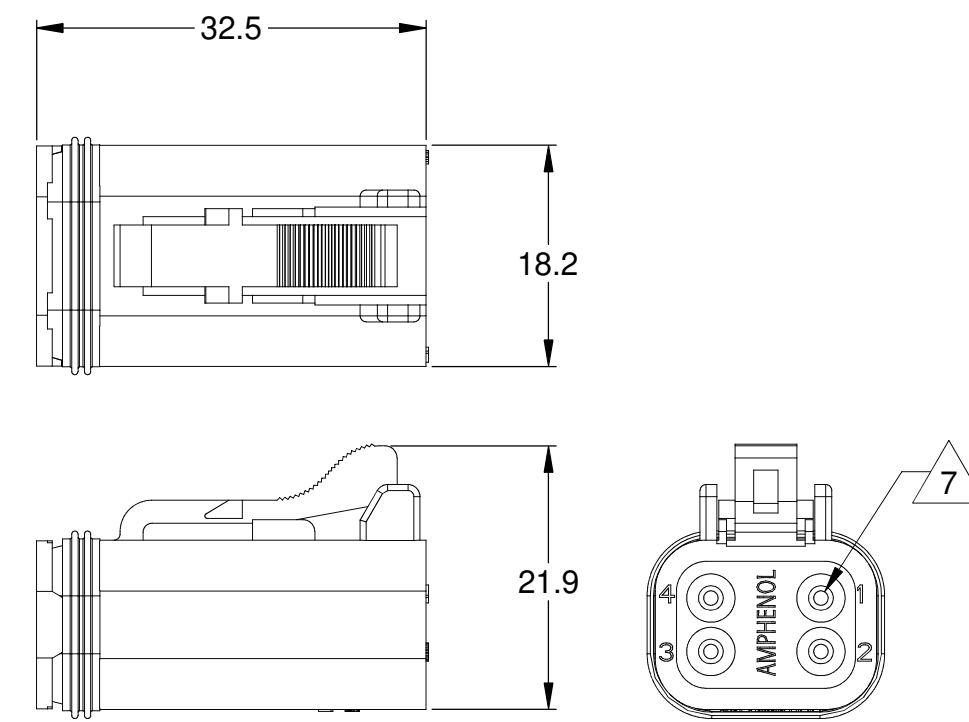


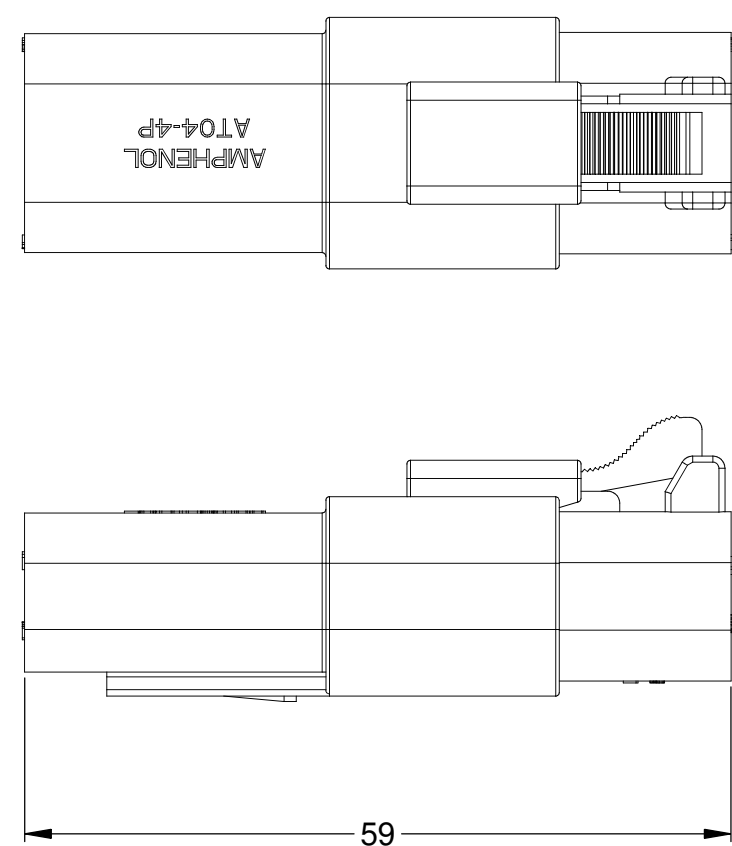
REVISIONS					
REV	ECO	DESCRIPTION	DATE	BY	APPR
A	-	RELEASE	30SEP13	DRP	-



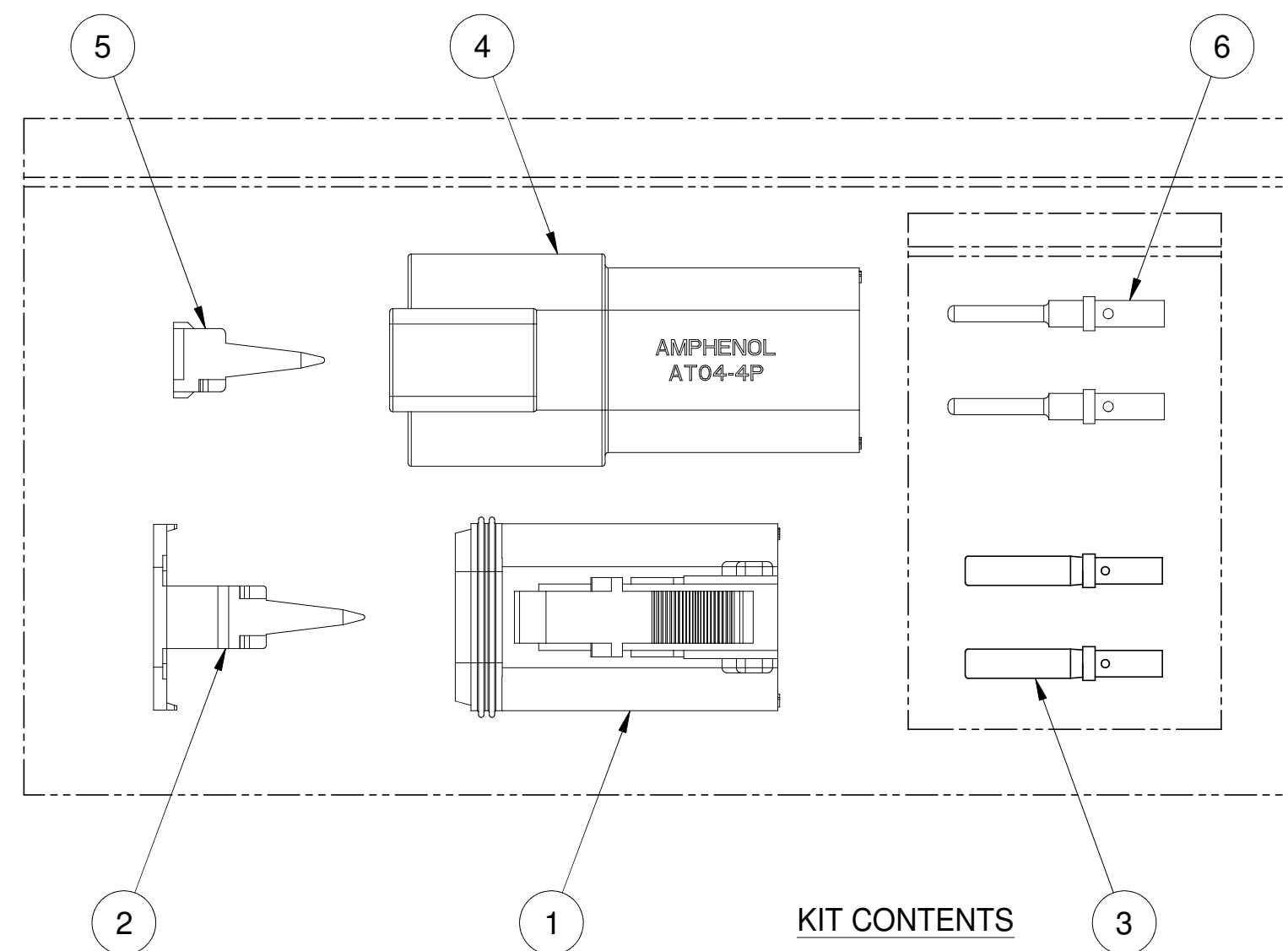
REFERENCE DIMENSIONS - ASSEMBLED RECEPTACLE



REFERENCE DIMENSIONS - ASSEMBLED PLUG



ASSEMBLED PLUG AND RECEPTACLE



KIT CONTENTS

NOTES: UNLESS OTHERWISE SPECIFIED

- MATERIAL:
HOUSING: THERMOPLASTIC; COLOR: GREY
WEDGELOCK: THERMOPLASTIC; COLOR: GREEN
SEALS: SILICONE RUBBER
CONTACTS: COPPER ALLOY; NICKEL PLATED
- SPECIFICATIONS:
2.1 CURRENT RATING: 13 AMPS
2.2 OPERATING TEMPERATURE: -55°C TO +125°C
2.3 DIELECTRIC WITHSTANDING VOLTAGE: LESS THAN 2 MILLIAMPS CURRENT LEAKAGE @ 1500 VOLTS AC.
2.4 INSULATION RESISTANCE: 1000 MEGOHMS MIN @ 25°C.
2.5 CONTACT MILLIVOLT DROP: 60 MILLIVOLT DROP @ 13 AMP TEST CURRENT.
2.6 MOISTURE RESISTANCE: IP67 (MATED CONDITION)
2.7 CONNECTOR MATING CYCLE DURABILITY: 100 CYCLES

- AVAILABLE HAND CRIMPER: CA-5D12
- ALL COMPONENTS ARE RoHS COMPLIANT.
- ALL DIMENSIONS ARE FOR REFERENCE USE ONLY.

6 WIRE RANGE OF CONTACTS INCLUDED
IN KIT: 16 - 20 AWG

7 CONTACT SIZE AND REAR SEAL WIRE RANGE:

CONTACT SIZE	MIN. INSUL. O.D.	MAX. INSUL. O.D.	TYPICAL WIRE RANGE
16	2.24 mm (.088 in)	3.68 mm (.145 in)	14 - 20 AWG

6	4	AT60-202-16141	CONTACT, PIN, SOLID, SIZE 16, 16-20 AWG	6
	1	AW4P	P-WEDGELOCK, 4 POSITION, AT SERIES	5
	1	AT04-4P	RECEPTACLE, 4 PIN, AT SERIES	4
6	4	AT62-201-16141	CONTACT, SOCKET, SOLID, SIZE 16, 16 - 20 AWG	3
	1	AW4S	S-WEDGELOCK, 4 POSITION, AT SERIES	2
	1	AT06-4S	PLUG, 4 SOCKET, AT SERIES	1
	QUANTITY	PART NUMBER	DESCRIPTION	ITEM

UNLESS OTHERWISE SPECIFIED		SIGNATURES	DATE
1) All dimensions are in metric(mm). 2) Tolerances are as follows: 1 PL DEC ±0.30 Fractions ±1/64 2 PL DEC ±0.15 Angles ±1° 3 PL DEC ±0.08		D.PARKS	30SEP13
3) Note reference =		CHECKED:	ENGINEER:
MATERIAL SPECIFICATIONS:		APPROVAL:	CUSTOMER:
PROCESS SPECIFICATIONS:		THIS DRAWING IS SUPPLIED FOR INFORMATION ONLY. DESIGN FEATURES, SPECIFICATIONS AND PERFORMANCE DATA SHOWN HEREON ARE THE PROPERTY OF THE AMPHENOL CORPORATION. NO RIGHTS OF REPRODUCTION ARE IMPLIED. ALL DIMENSIONS ARE SUBJECT TO NORMAL MANUFACTURING VARIATIONS.	
NEXT ASSY:	SCALE: NONE	SIZE: C	TYPE: C-

Amphenol
Sine Systems - www.amphenol-sine.com
44724 Morley Drive
Clinton Township, MI 48036

KIT, AT SERIES, 4 POS. PLUG, RECEPTACLE, CONTACTS, AND WEDGELOCKS

SCALE: NONE

AT4PS-CKIT

REVISION: A

SHEET 1 OF 1