

4

3

2

1

THIS DRAWING IS UNPUBLISHED.

RELEASED FOR PUBLICATION

.20

© COPYRIGHT 19

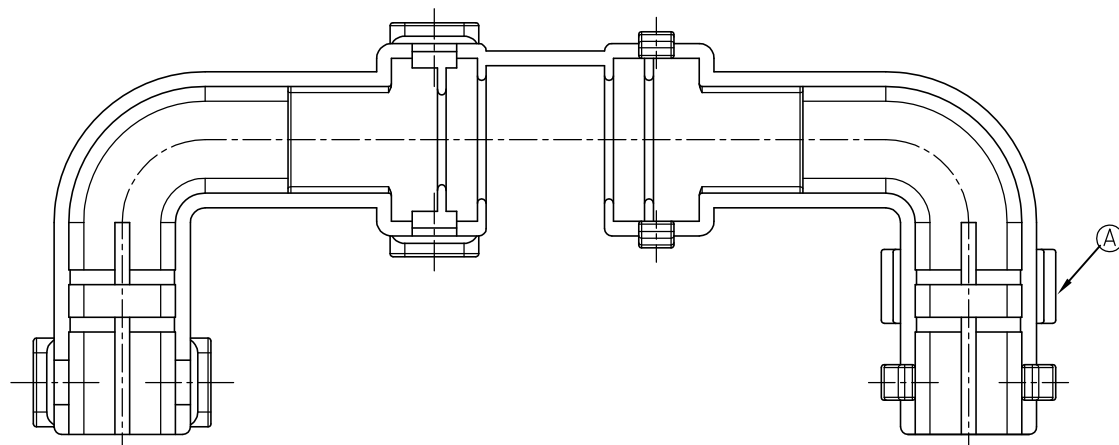
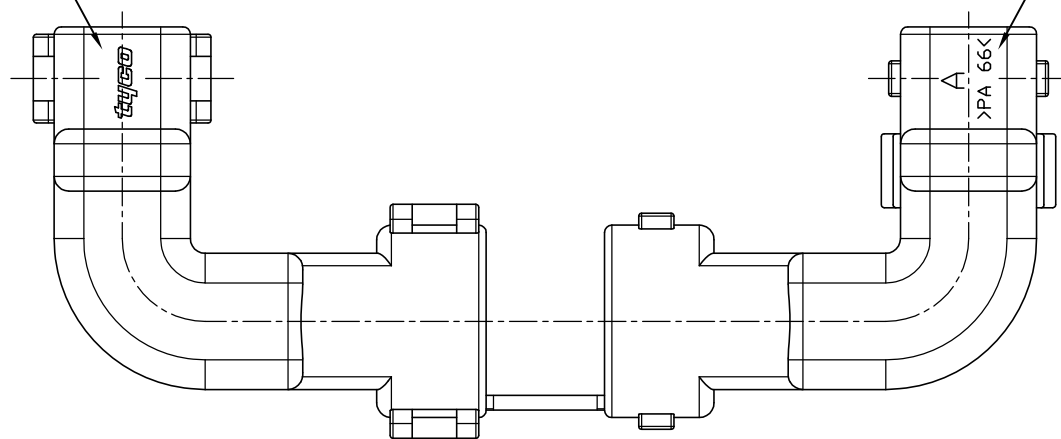
BY AMP INCORPORATED. ALL RIGHTS RESERVED.

LOC	DIST	REVISIONS					
		P	LTR	DESCRIPTION	DATE	DWN	APVD
DS	—	0		RELEASED (FC00-0016-03)	04/FEB/'03	YD	CS
		A		REVISED (ECR-10-014221)	22/DEC/'10	SJ	HG

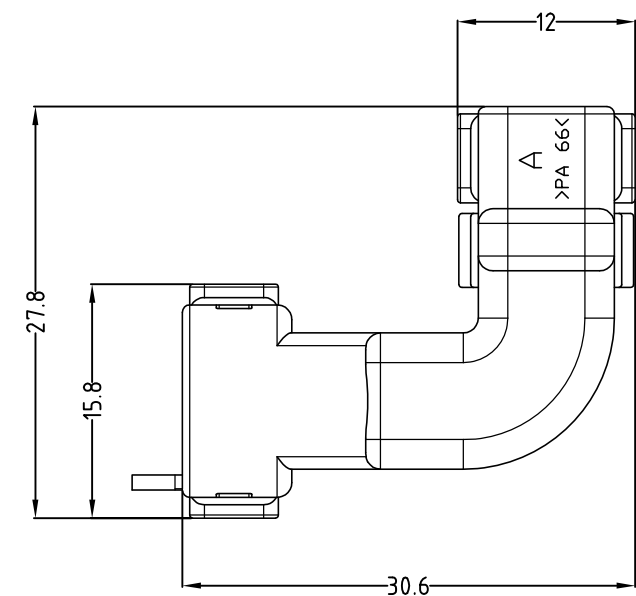
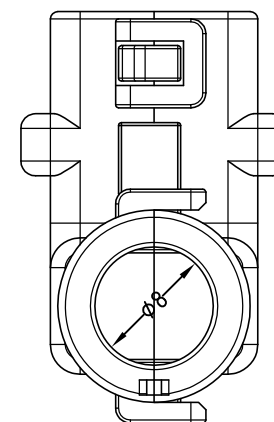
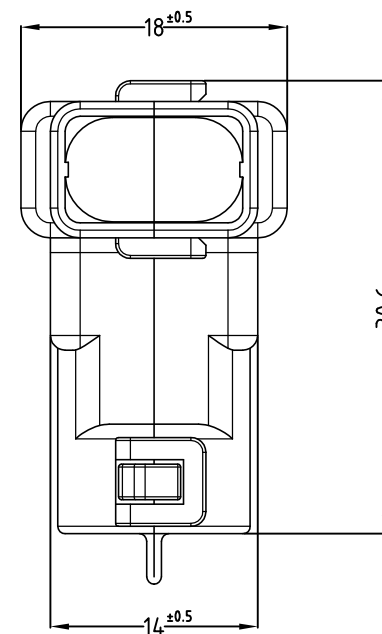
TE LOGO

BEFORE ASS'Y

CAVITY & MAT'L



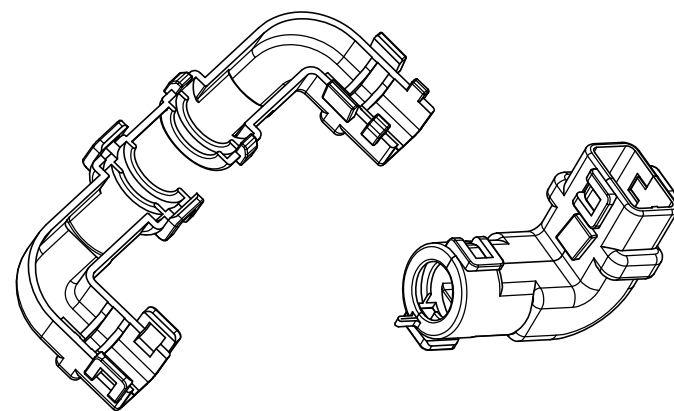
AFTER ASS'Y




NOTE

1. APPLICABLE CORRUGATOR DIAMETER :  $\phi 7.0$
2. APPLICABLE JPT 2P ASS'Y P.NO : 368354

3D VIEW



DIMENSIONS: MM		TOLERANCES UNLESS OTHERWISE SPECIFIED:		DWN : SJ CHOI	
3rd ANGLE PROJECTION		0 <XX<10 ± 0.2		CHK : JW JUNG	
MATERIAL		10<XX<30 ± 0.25		APVD : HG CHO	
FINISH		30<XX ± 0.3		PRODUCT SPEC	
		ANGLES ± 3°		APPLICATION SPEC	
		WEIGHT		2.3 g	

PA 66	936458-2	BLACK
MATERIAL	PART NUMBER	COLOR
 Tyco Electronics kyungsan, korea		
NAME		
COVER HSG FOR JPT 2P ASS'Y		
SIZE	CAGE CODE	DRAWING NO
A3	00779	© 936458
SCALE	SHEET	REV
2/1	1 OF 1	A