

# inspired LED **RF Dimmer & Wireless Remote**

## Single Zone Set

The **Single Zone Dimmer with Wireless Remote** is a simple, convenient solution for dimming Inspired LED plug & play systems with ease. Compatible with 12V flexible LED strips or panels, this control device provides a range of brightness levels from 0-100% with the turn of a wheel. Buttons allow the entire system to be turned on and off, while smart memory functions retain previous dimming settings.



Wireless Remote



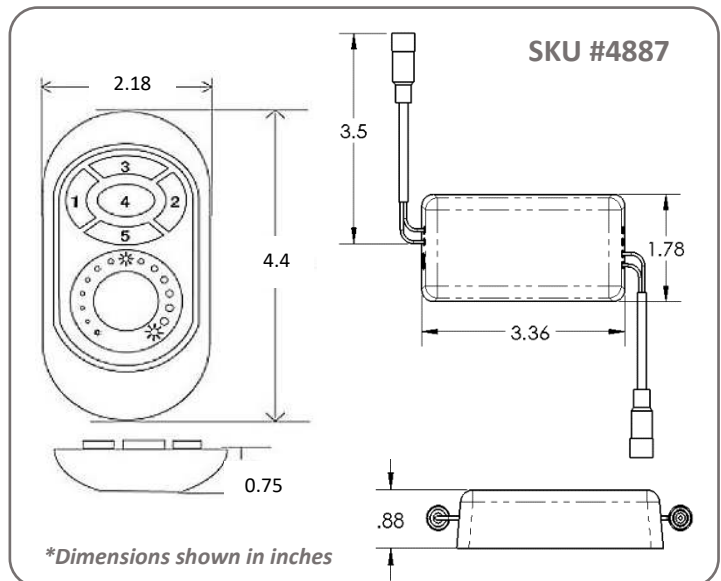
Dimming Receiver Module

### Product Features:

- Compatible with 12V DC power supplies
- Standard 3.5 x 1.3 mm input/output or screw terminal option available
- Quick functions (On, Off, High, Medium, Low)
- Remote and Receiver not sold separately
- Remote wall mount available for additional charge

### Specifications:

- Remote requires AAA batteries (included)
- Max Load for Receiver- 6 AMPS
- Compatible with 12V DC power supplies
- RF range up to 30 meters



### Instructions:



### Troubleshooting-

1. If lights turn on but do not dim, ensure power supply is plugged into side marked **"power"**, and LEDs into **"LED"**. Reversal will prevent dimming.
2. If lights do not turn on, check batteries. Avoid contact with touch wheel while loading new batteries as this will cause interference. If functionality is lost, remove and reload.

### To Install-

1. Install LED lights according to their instructions
2. Plug 12V DC power supply into side of receiver marked **"power"**
3. Connect lights to side of receiver marked **"LED"**
4. Select desired brightness level by using touch wheel
5. Press orange buttons to quickly turn system on and off
6. Press green buttons to quickly select high, med, or low settings

### To Pair Remote to Receiver-

1. Plug 12V DC power supply into side of receiver marked **"power"**
2. Within 3 sec of connecting power press the top green key once
3. Connected lights will blink 3 times to indicate successful pairing
4. Repeat steps 1-3 to pair additional remotes
5. Once completed, test each remote for control

### To Remove Remote from Receiver-

1. Plug 12V DC power supply into side of receiver marked **"power"**
2. Within 3 seconds of connecting power press the top green key five times in a row
3. Disconnected lights will blink six times to indicate successful disassociation of remote

