

4

3

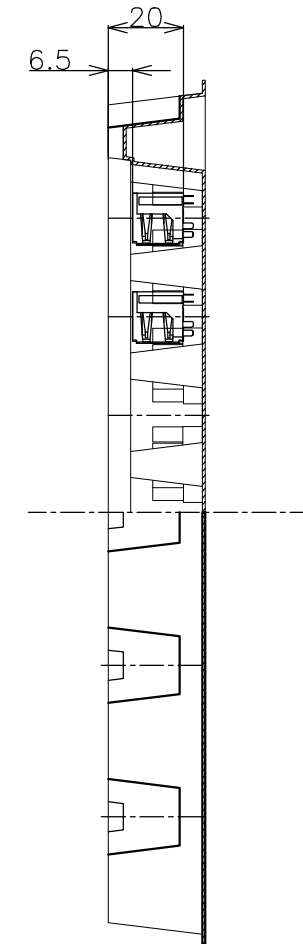
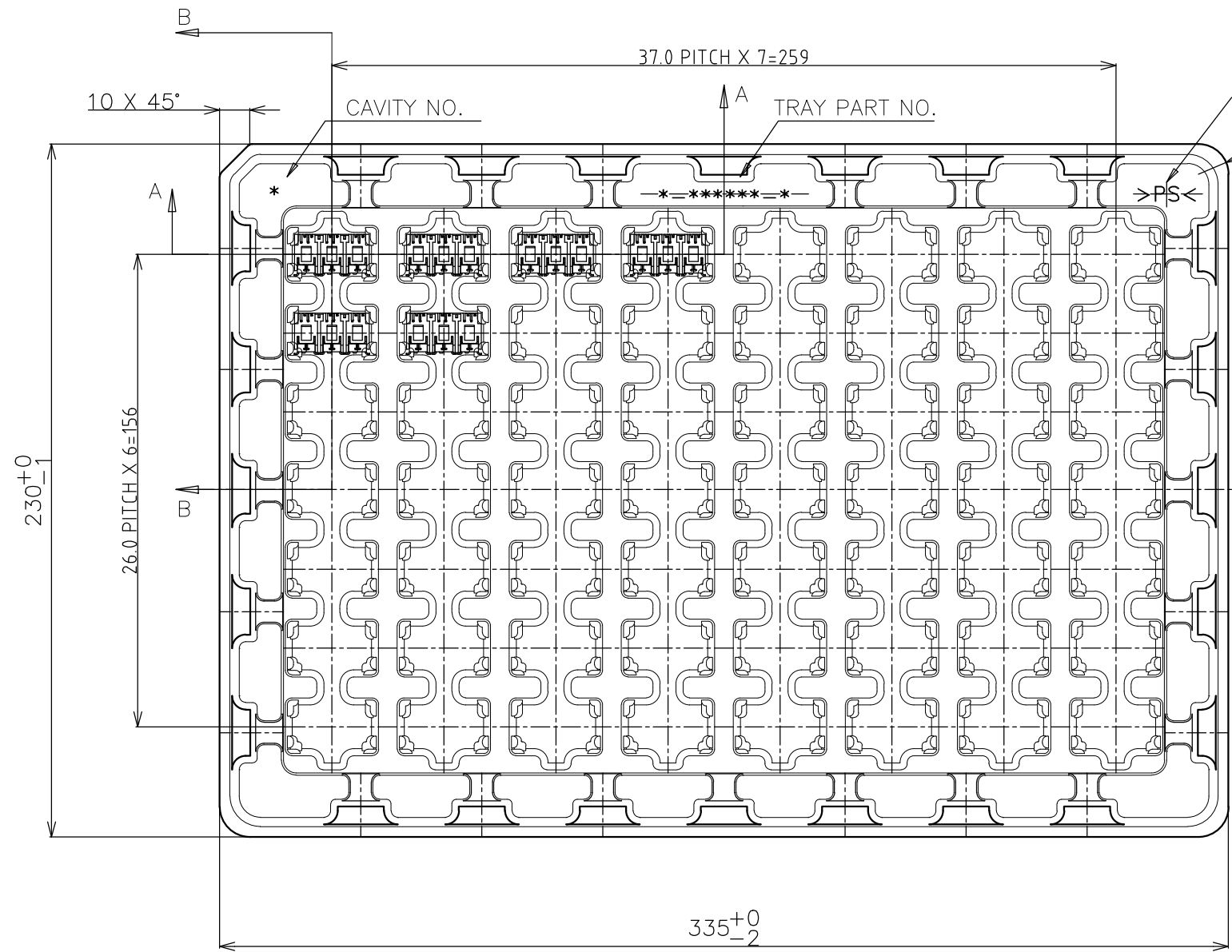
2

1

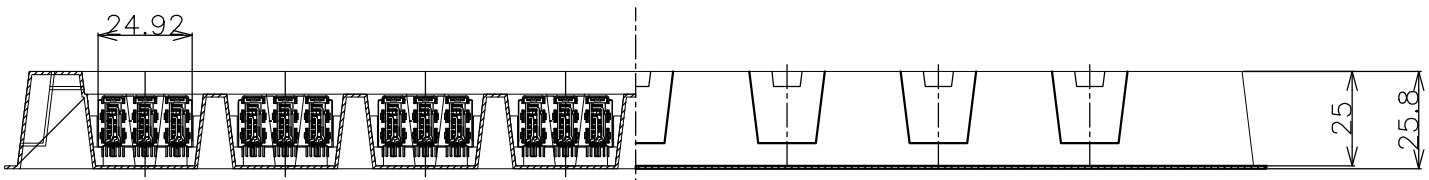
THIS DRAWING IS UNPUBLISHED. RELEASED FOR PUBLICATION

© COPYRIGHT 2004 BY TYCO ELECTRONICS CORPORATION. ALL RIGHTS RESERVED.

LOC	DIST	REVISIONS					
		P	LTR	DESCRIPTION	DATE	DWN	APVD
J	/	A1		REVISED ECR-15-016523	16NOV15	T.Z	H.W



SECTION B-B



SECTION A-A

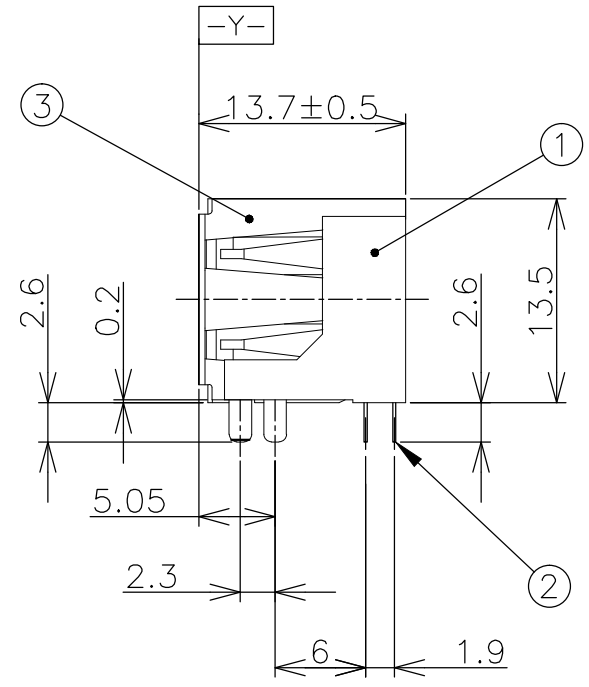
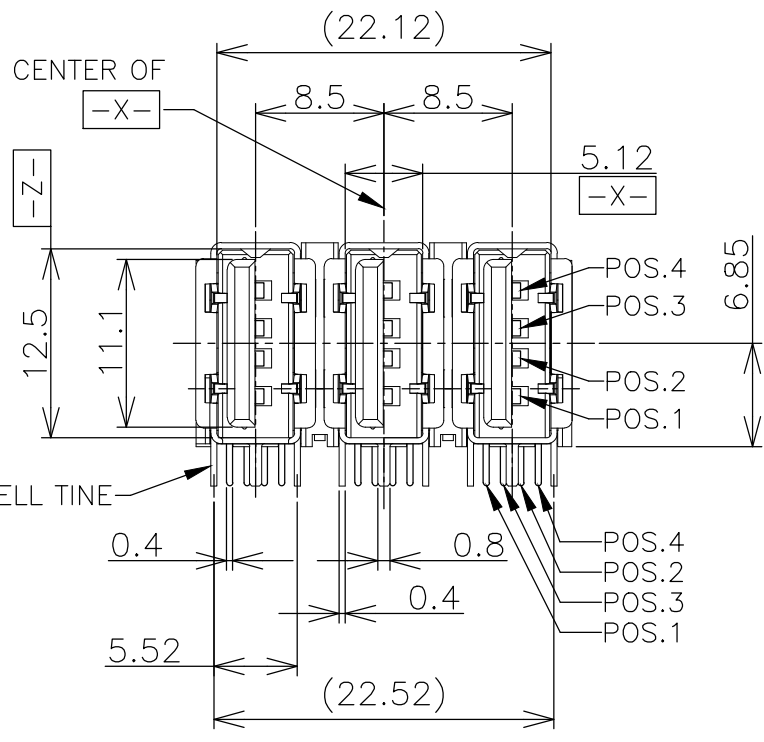
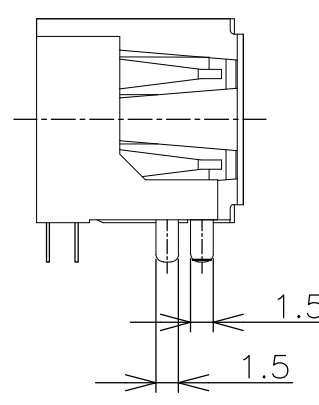
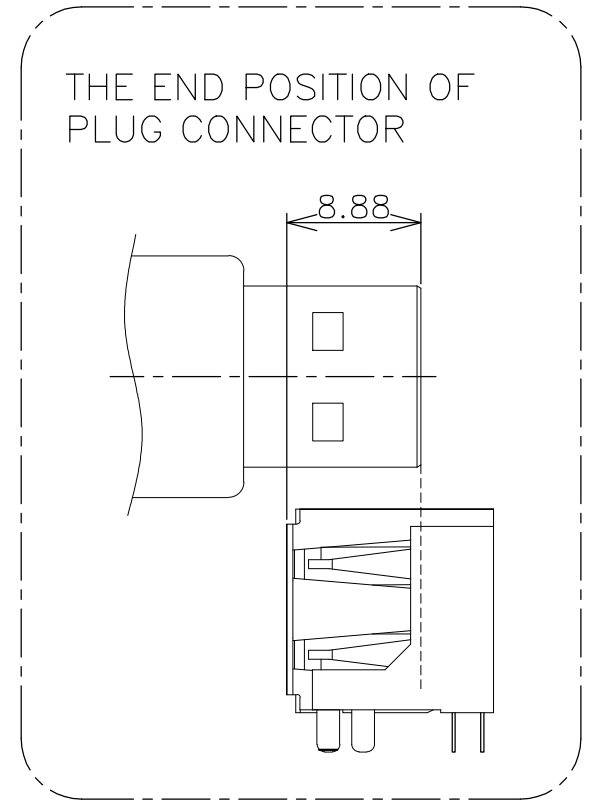
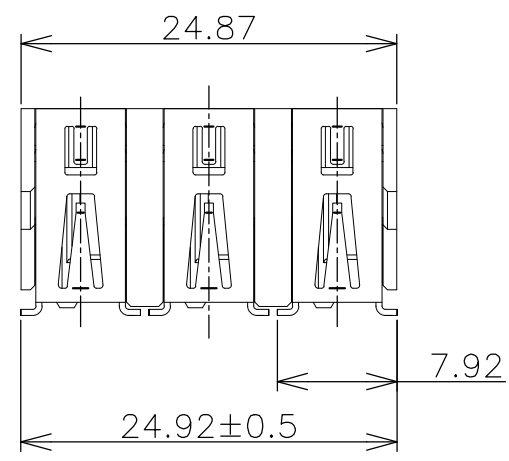
(A)	OBSOLETE	(A)	1674453-3
		FINISH	PART NO.

THIS DRAWING IS A CONTROLLED DOCUMENT.		DWN	LEO ZHOU	13DEC04	tyco Electronics	Tyco Electronics AMP K.K.	
		CHK	STEVEN YAO	13DEC04		Kawasaki, Japan	
		APVD	I. ENOMOTO	13DEC04		NAME	
DIMENSIONS: MM		TOLERANCES UNLESS OTHERWISE SPECIFIED:		PRODUCT SPEC			
		0 PLC ± 0.3		APPLICATION SPEC			
		1 PLC ± 0.3		WEIGHT			
		2 PLC ± 0.3		SIZE			
		3 PLC ± 0.3		CAGE CODE			
		4 PLC ± 0.3		DRAWING NO			
		ANGLES ± 3'		RESTRICTED TO			
MATERIAL		FINISH		A3 00779 C-1674453			
(1)		(2)		SCALE 2:1 SHEET 1 OF 3 REV A1			
CUSTOMER DRAWING							

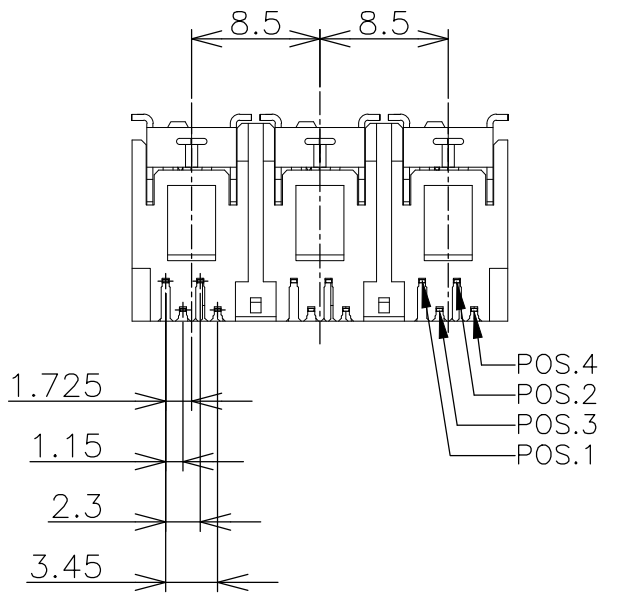
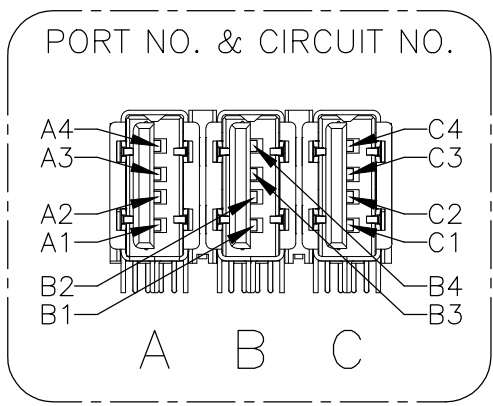
THIS DRAWING IS UNPUBLISHED. RELEASED FOR PUBLICATION
 © COPYRIGHT 2004 BY TYCO ELECTRONICS CORPORATION. ALL RIGHTS RESERVED.

LOC	DIST	REVISIONS			
P	LTR	DESCRIPTION	DATE	DWN	APVD
J	/	SEE SHEET 1			

FRONT SHELL	③
CONTACT	②
HOUSING	①
NAME	ITEM No.



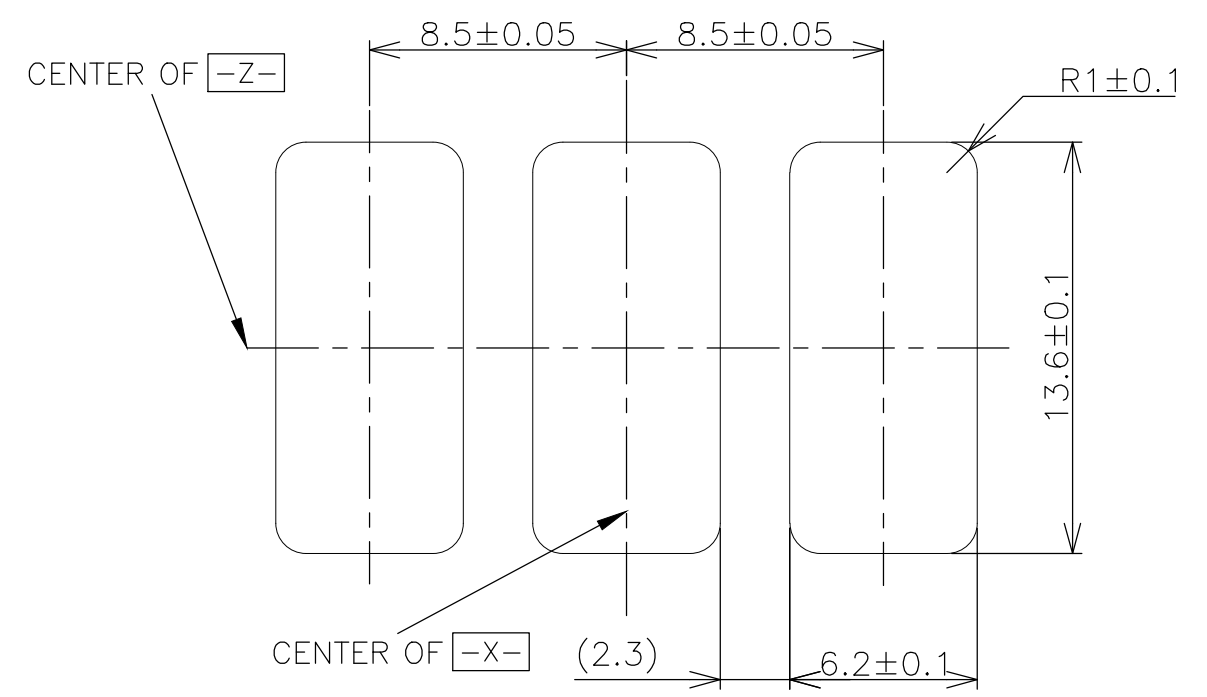
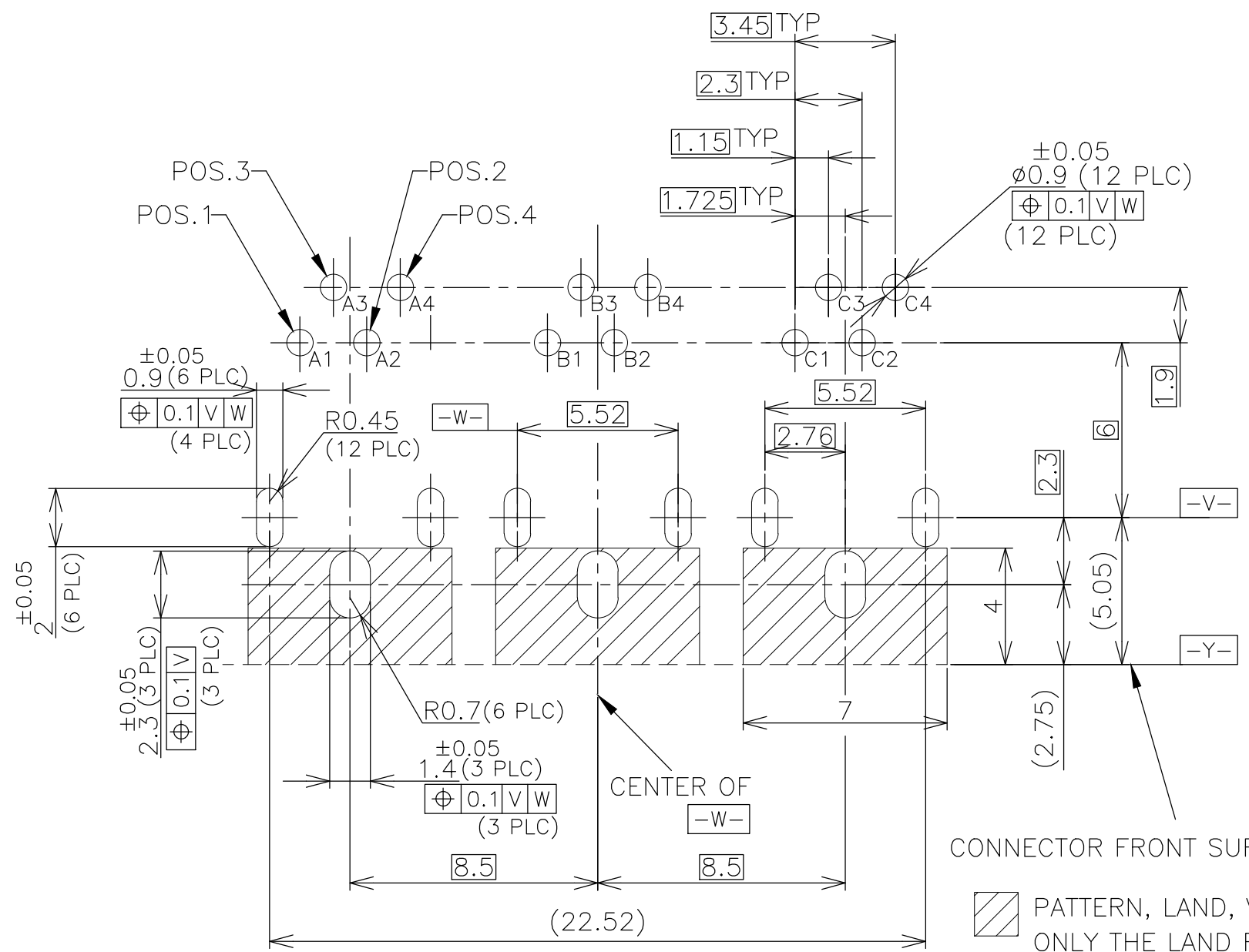
- ① MATERIAL
 HOUSING: THERMO-PLASTICS UL94V-0 NATURAL
 CONTACT: COPPER ALLOY
 FRONT SHELL: COPPER ALLOY
- ② FINISH
 CONTACT: NICKEL UNDER PLATE ALL OVER.
 CONTACT AREA: GOLD PLATE
 TINE AREA: TIN PLATE
 FRONT SHELL: TIN PLATE



THIS DRAWING IS A CONTROLLED DOCUMENT.		DWN	Tyco Electronics AMP K.K. Kawasaki, Japan	
DIMENSIONS: MM		CHK		
TOLERANCES UNLESS OTHERWISE SPECIFIED:		APVD	NAME	
0 PLC ± 0.3		PRODUCT SPEC	HARD TRAY ASSY	
1 PLC ± 0.3		APPLICATION SPEC	USB CONNECTOR	
2 PLC ± 0.3		WEIGHT	REC 3P	
3 PLC ± 0.3		SIZE	CAGE CODE	DRAWING NO
4 PLC ± 0.3		A3	00779	C-1674453
ANGLES ± 3°		RESTRICTED TO		
FINISH		CUSTOMER DRAWING		
		SCALE	SHEET	REV
		2:1	2 OF 3	A1

THIS DRAWING IS UNPUBLISHED. RELEASED FOR PUBLICATION
 © COPYRIGHT 2004 BY TYCO ELECTRONICS CORPORATION. ALL RIGHTS RESERVED.

LOC	DIST	REVISIONS					
		P	LTR	DESCRIPTION	DATE	DWN	APVD
J	/	-	-	SEE SHEET 1	-	-	-



* THIS DIMENSIONS ARE NOT CONSIDERATION PANEL TOLERANCE AND PANEL ASSEMBLY TOLERANCE.

RECOMMENDED PANEL DIMENSION (SCALE 4:1)

CONNECTOR FRONT SURFACE

Pattern, Land, Via Hole, Mount, Prohibition Area. ONLY THE LAND FOR SOLDERING OF FRONT SHELL IS OK.

RECOMMENDED LAYOUT OF P.C.B (CONNECTOR MOUNTING SIDE)
 RECOMMENDED THICKNESS: 1.0~1.6mm

THIS DRAWING IS A CONTROLLED DOCUMENT.		DWN	Tyco Electronics AMP K.K. Kawasaki, Japan		
DIMENSIONS: MM		CHK	NAME		
TOLERANCES UNLESS OTHERWISE SPECIFIED:		APVD	HARD TRAY ASSY USB CONNECTOR REC 3P		
0 PLC ± 0.3		PRODUCT SPEC	SIZE	CAGE CODE	DRAWING NO
1 PLC ± 0.3		APPLICATION SPEC	A3	00779	C-1674453
2 PLC ± 0.3		WEIGHT	RESTRICTED TO		
3 PLC ± 0.3		CUSTOMER DRAWING			
4 PLC ± 0.3		SCALE	SHEET		REV
ANGLES ± 3°		5:1	3 OF 3		A1
FINISH					