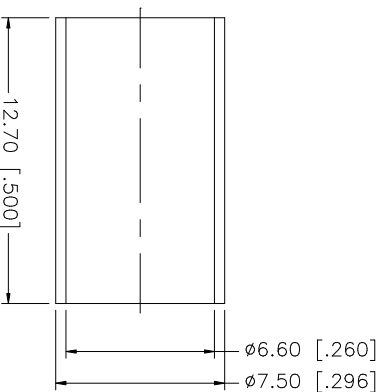
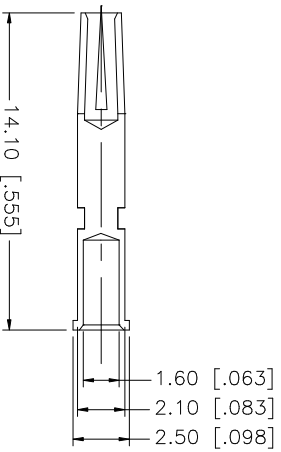
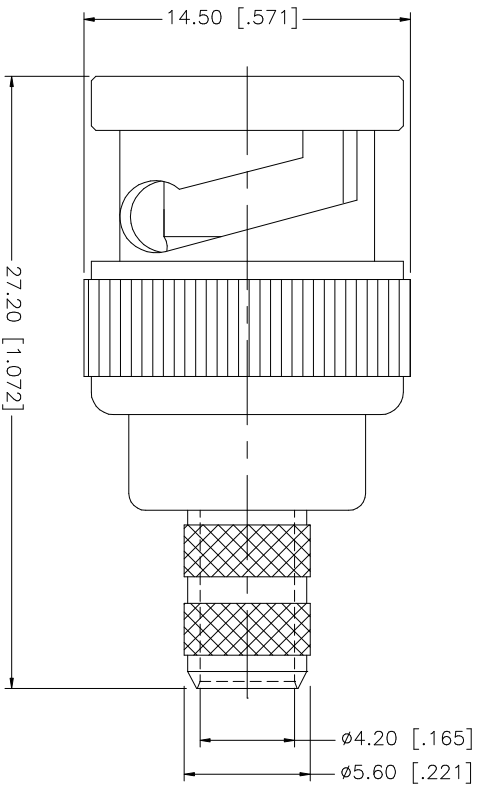
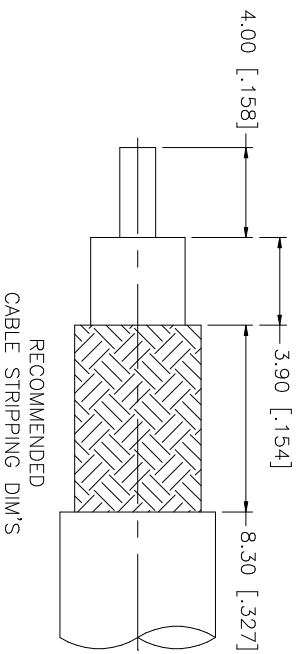


REV.	DATE	DESCRIPTION
NC	06/07/99	INITIAL RELEASE
A	07/31/05	UPDATE DRAWING FORMAT



8																									
7																									
6																									
5																									
4	FERRULE	COPPER	NICKEL	1																					
3	CONTACT PIN	PHOS. BRONZE	GOLD	1																					
2	INSULATOR	TEFLON	NATURAL	1																					
1	BODY	BRASS	NICKEL	1																					
	DESCRIPTION	MATERIAL	FINISH	QTY																					
UNLESS OTHERWISE SPECIFIED DIMENSIONS ARE IN MILLIMETERS. DIMENSIONS IN [] ARE IN INCHES AND FOR CUSTOMER REFERENCE ONLY. TOLERANCES FOR MILLIMETERS ARE: 0.5 - 8mm ± 0.20mm 8 - 30mm ± 0.40mm 30 - 120mm ± 0.50mm UNLESS OTHERWISE SPECIFIED TOLERANCES FOR INCHES ARE: .020 - .315 ± 0.007" .315 - 1.180 ± 0.015" 1.180 - 4.724 ± 0.020"											APPROVALS		DATE		PART DESCRIPTION BNC REVERSE POLARITY CRIMP PLUG (FOR LMR 240, 8X, B 7808A CABLE)										
DRAWN G.R.S.											07/31/05		SHEET 1 OF 1												
CHECKED													PART NO. 112533RP												
ISSUED													DWG. NO. 112533RP.DWG												
CAD FILE C:/112/112533RP.DWG													REV. A												
													SIZE A												
													SCALE NA												

Amphenol Connex