

MATERIALS AND FINISHES:

**BODY: STAINLESS STEEL
PASSIVATE**

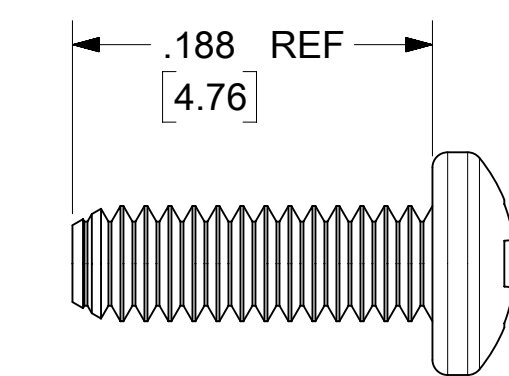
**CENTER CONTACT: BERYLLIUM COPPER
PLATED: GOLD (30µ-in MIN)
OVER NICKEL (100µ-in MIN)**

INSULATOR: PTFE

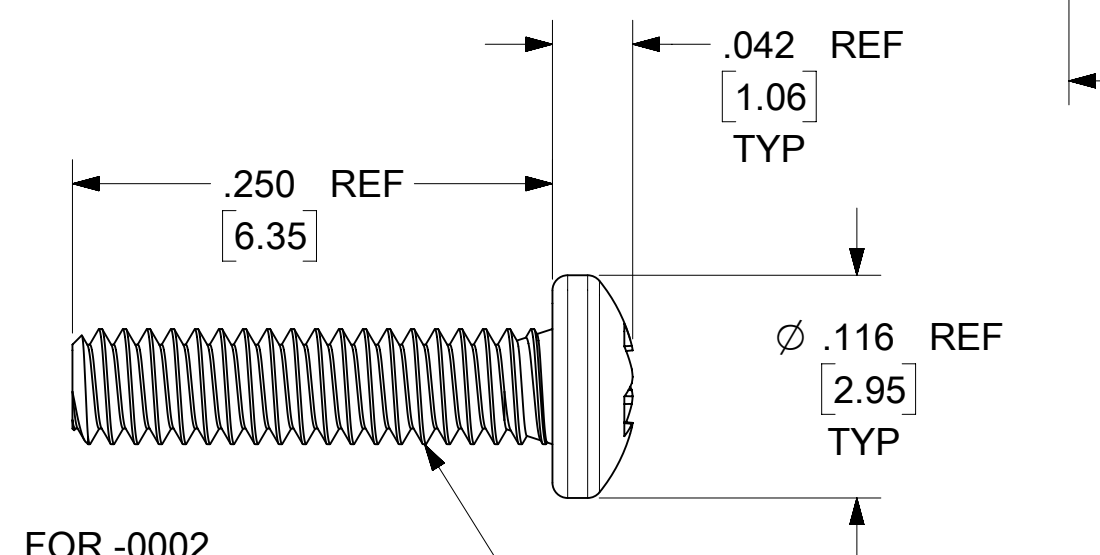
**SCREW: STEEL
PASSIVATE**

1.85MM JACK
INTERFACE

M7 X 0.75-6g

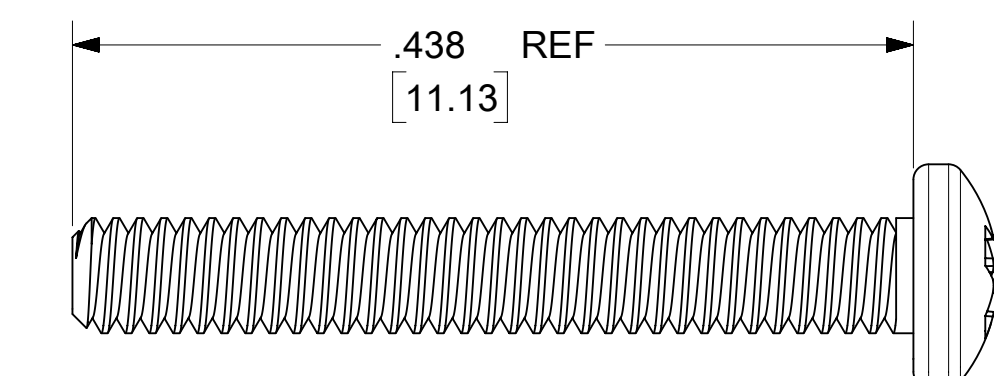


FOR -0001

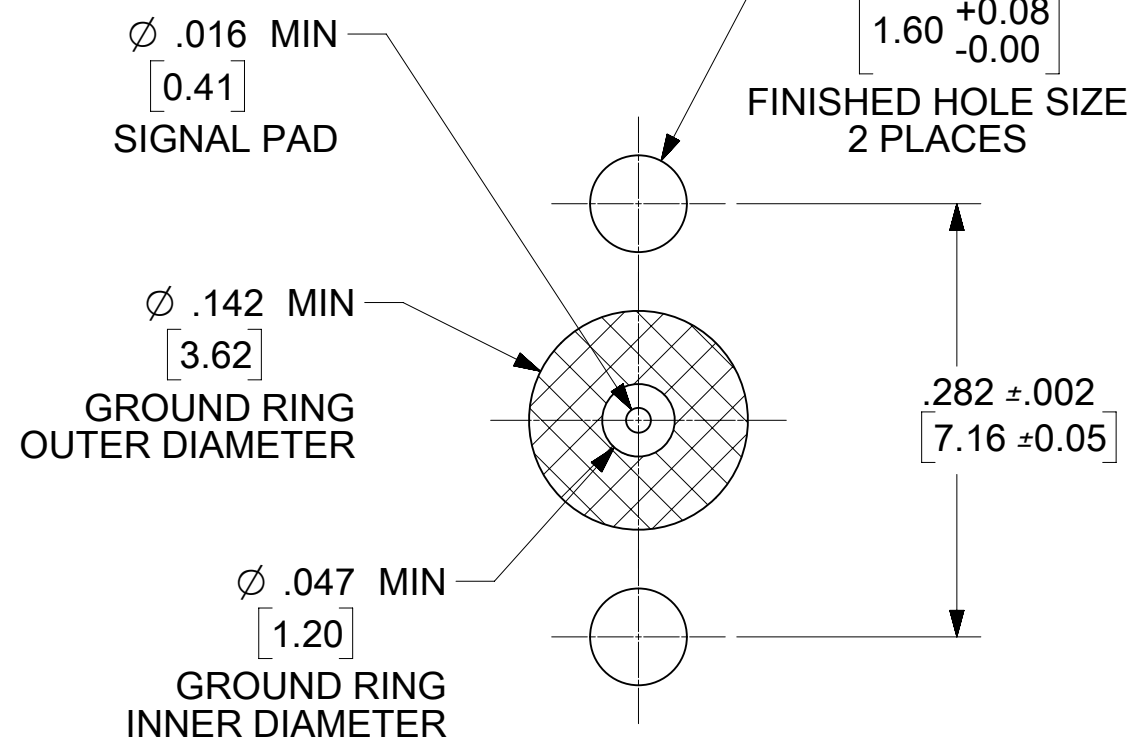
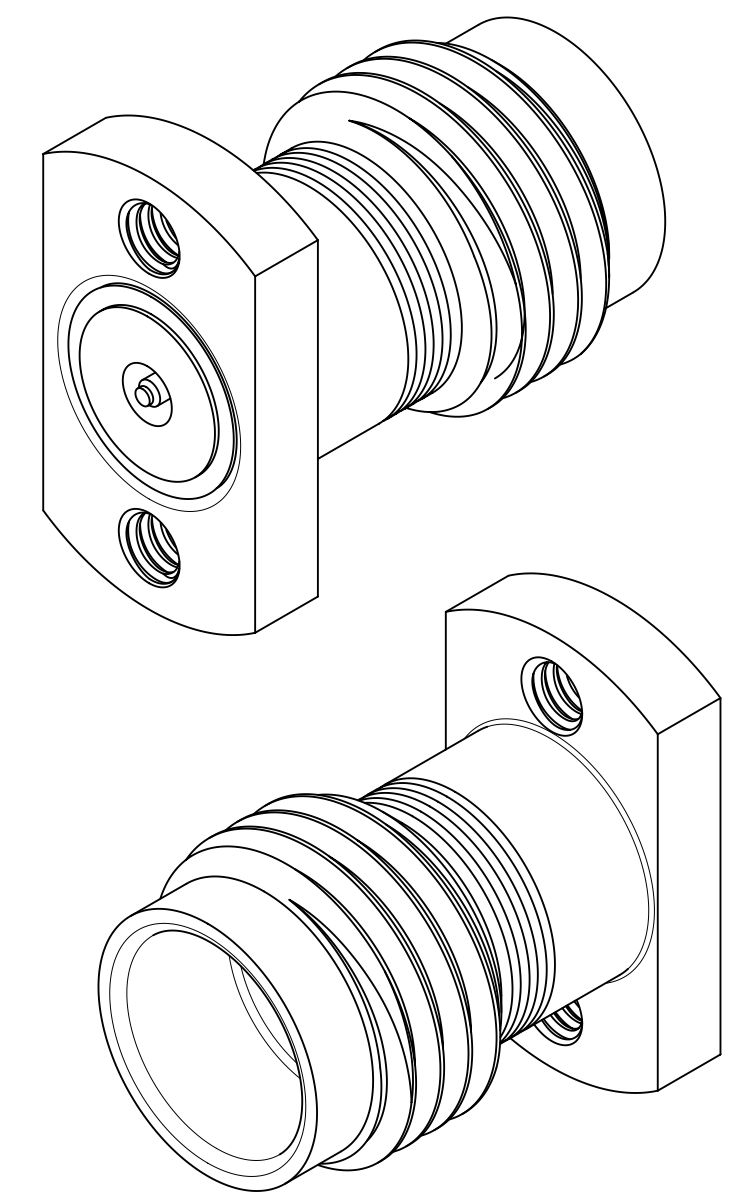
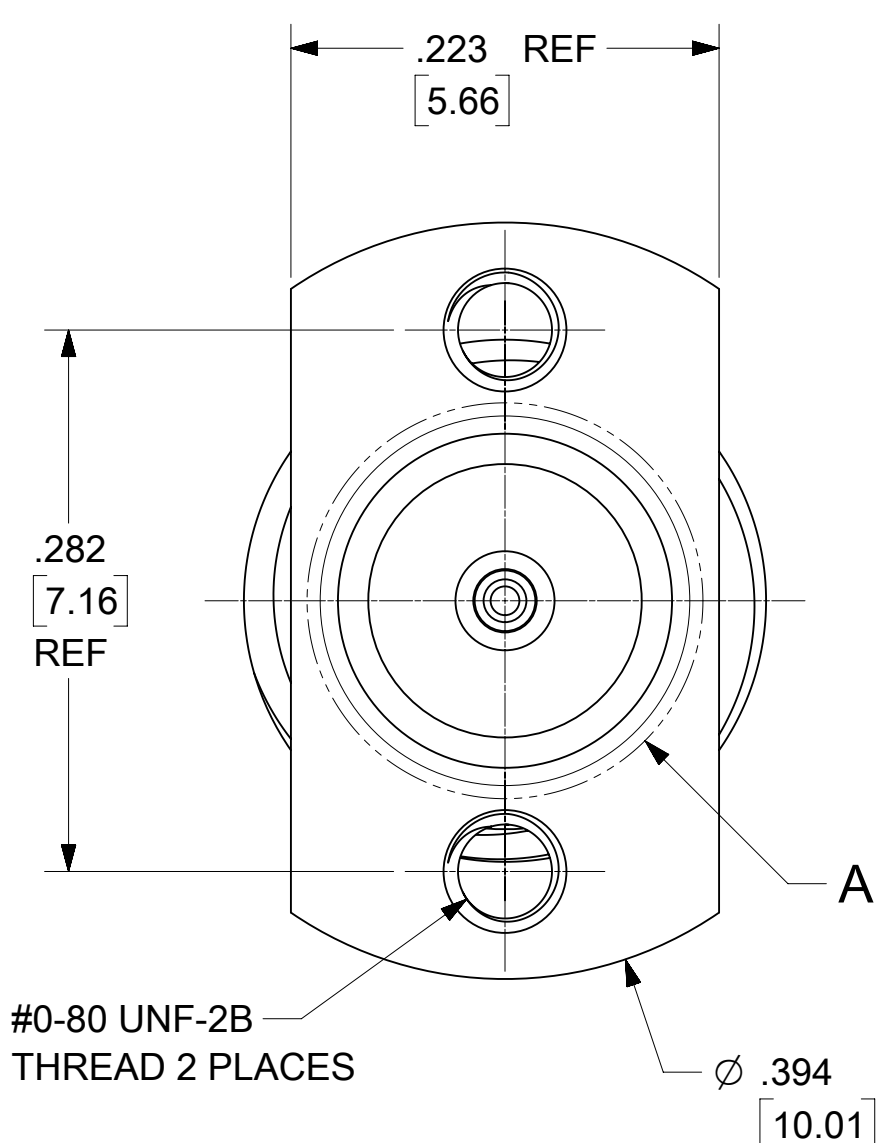
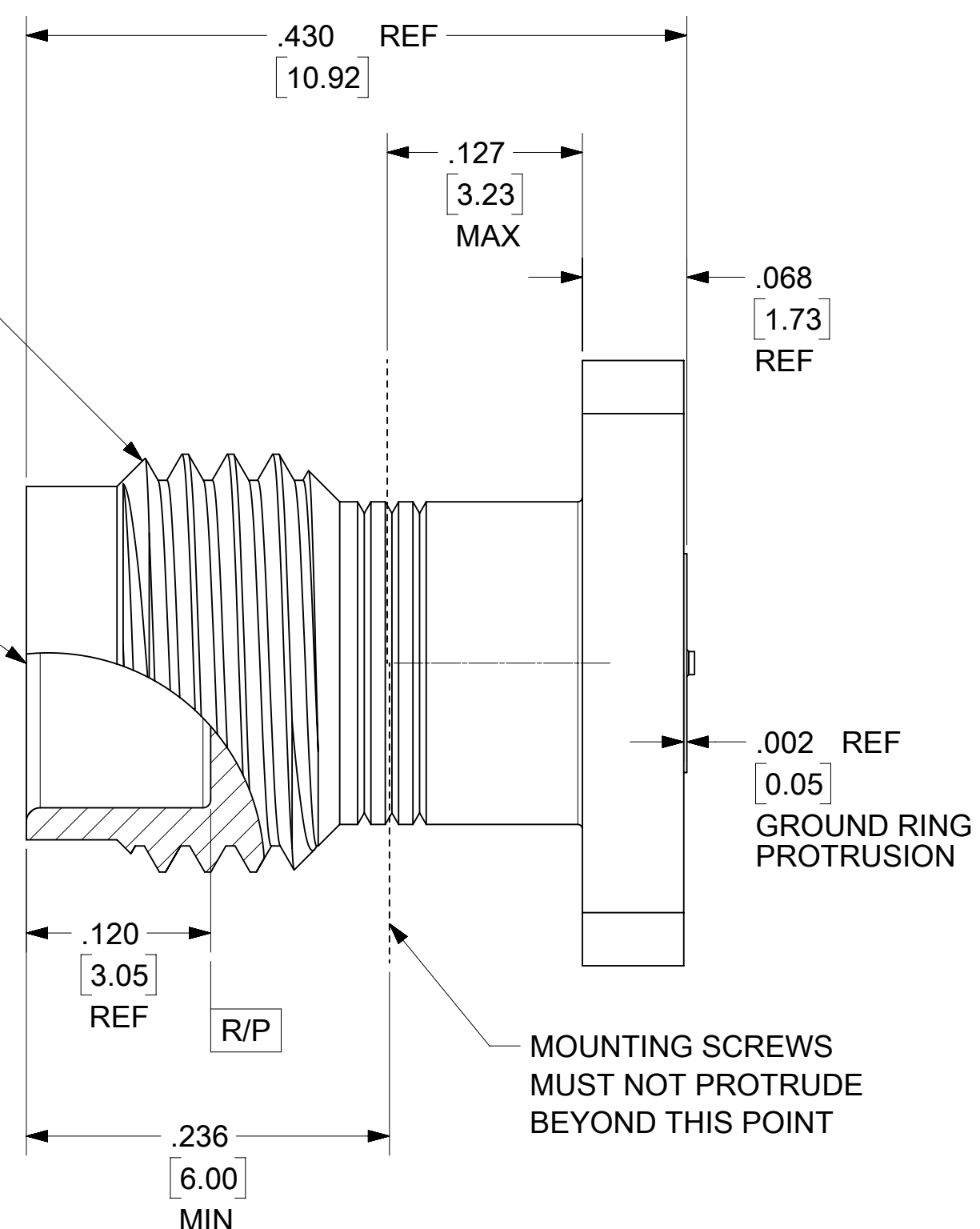


FOR -0002

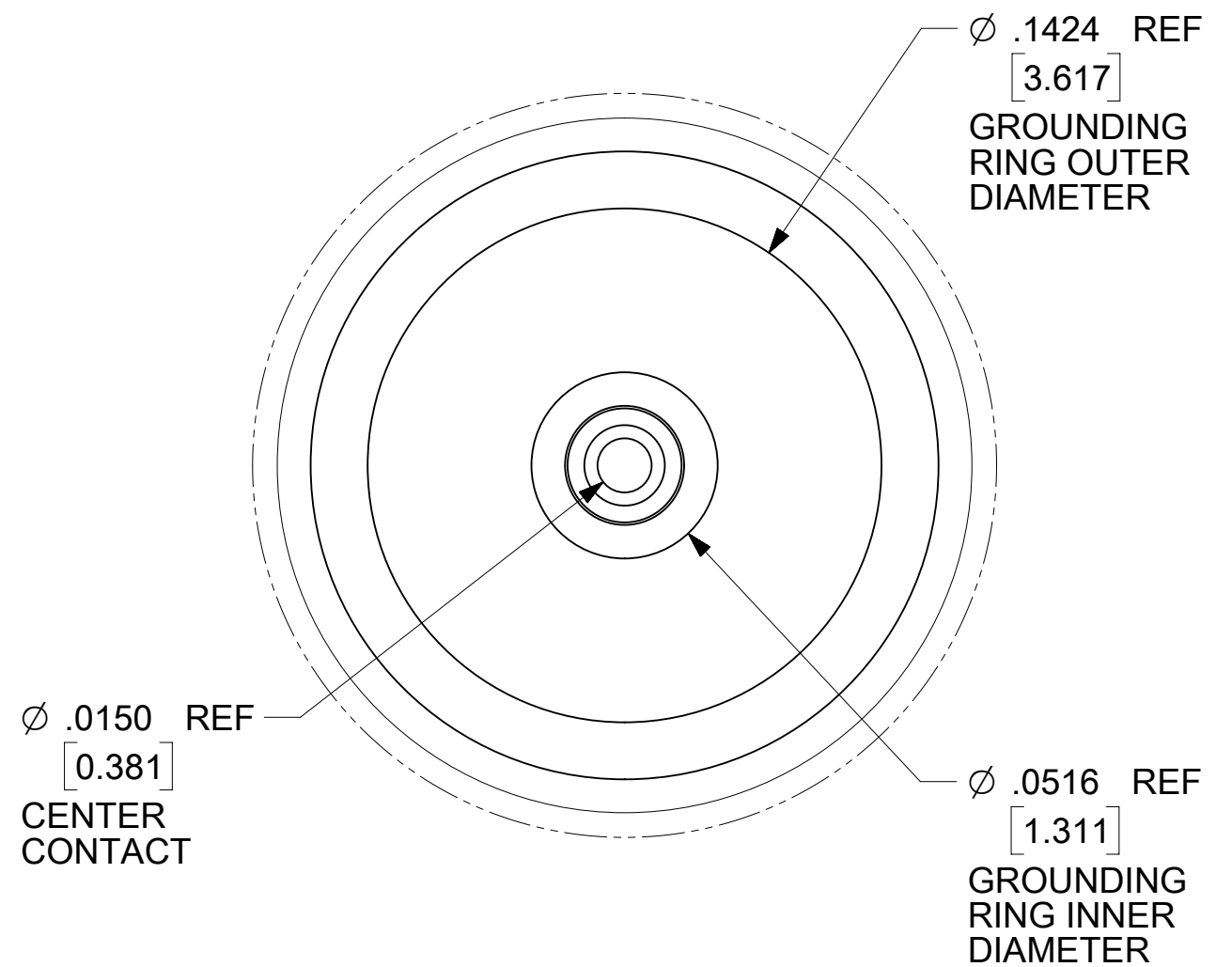
#0-80 UNF-2A THREAD TYP
TORQUE TO 0.5 - 0.8 IN-LBS



FOR -0003



GENERAL PCB LAYOUT RECOMMENDATIONS
FOR OPTIMIZED LAYOUTS CONTACT MOLEX ENGINEERING



DETAIL A

| | | |
|------------|------------------------------|----------------------------|
| 73157-0003 | WITH TWO .438 [11.13] SCREWS | .252 [6.40] TO .352 [8.94] |
| 73157-0002 | WITH TWO .250 [6.35] SCREWS | .077 [1.96] TO .157 [3.99] |
| 73157-0001 | WITH TWO .188 [4.76] SCREWS | .022 [0.56] TO .100 [2.54] |
| 73157-0000 | NO HARDWARE | N/A |
| PART NO. | DESCRIPTION | PCB THICKNESS |

| | | | | | |
|-----------------|---|---------------------------------------|--------------|------------------------|------------|
| QUALITY SYMBOLS | THIS DRAWING CONTAINS INFORMATION THAT IS PROPRIETARY TO MOLEX ELECTRONIC TECHNOLOGIES, LLC AND SHOULD NOT BE USED WITHOUT WRITTEN PERMISSION | | | | |
| ▽ = 0 | EC NO: 116458 DRWN: LIMEIER CHKD: REV / APPR: AROBERTSON | GENERAL TOLERANCES (UNLESS SPECIFIED) | | DIMENSION UNITS | SCALE |
| ▽ = 0 | | MM | INCH | mm | NTS |
| ▽ = 0 | | 4 PLACES ± | ± | DRWN BY | DATE |
| ▽ = 0 | | 3 PLACES ± | ± 0.01 | CHK'D BY | DATE |
| ▽ = 0 | | 2 PLACES ± | ± 0.25 | SSS | 2012/10/24 |
| ▽ = 0 | 1 PLACES ± | ± | APPR BY | DATE | |
| ▽ = 0 | 0 PLACES ± | ± | JWIENER | 2013/07/01 | |
| ☒ = 0 | ANGULAR TOL = 2.0 | | DRAWING SIZE | THIRD ANGLE PROJECTION | |
| ■ = 0 | DRAFT WHERE APPLICABLE MUST REMAIN WITHIN DIMENSIONS | | C | | |
| ▽ = 0 | B | | | | |

1.85MM JACK PCB
FIELD REPLACEABLE 50 OHM EWR-5044,
1.85MM-JR/PCB

PRODUCT CUSTOMER DRAWING

| | | |
|--------|-----------------|----------|
| SERIES | MATERIAL NUMBER | CUSTOMER |
| 73157 | SEE TABLE | |

| | | | |
|-----------------|----------|----------|--------------|
| DOCUMENT NUMBER | DOC TYPE | DOC PART | SHEET NUMBER |
| SD-73157-000 | PSD | 001 | 1 OF 1 |